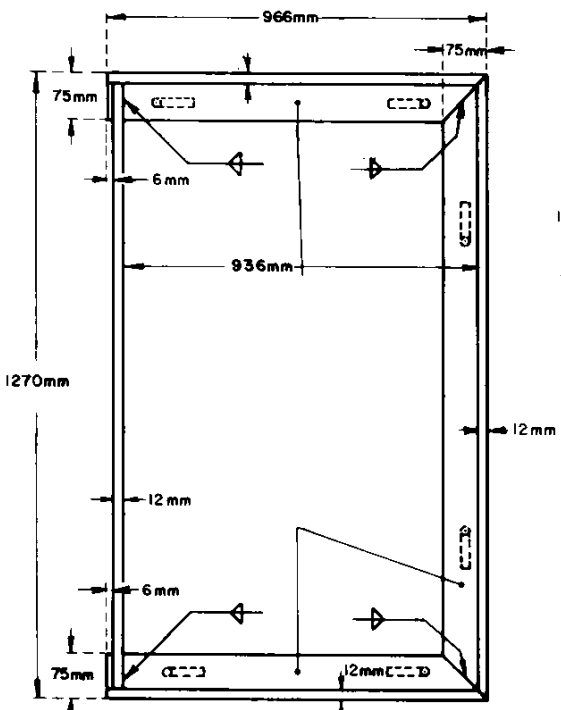
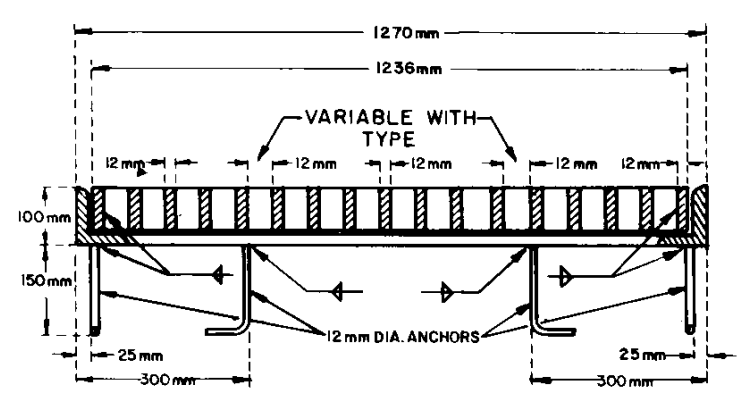


WELDED GRATE



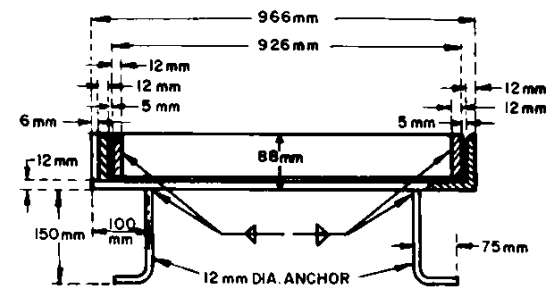
WELDED FRAME



LONGITUDINAL SECTION THROUGH FRAME AND GRATE

TYPES OF BAR SPACING ON GRATE

- 25 mm CLEAR
USE WITHIN ROADWAY IN URBAN AREAS
- 38 mm CLEAR
USE WITHIN ROADWAY IN RURAL AREAS
- 50 mm CLEAR
USE IN LOCATIONS OFF THE ROADWAY



CROSS SECTION THROUGH FRAME AND GRATE

NOMINAL METRIC DIMENSIONS

	DWG.No	CB - 6 2.10. M11
		Date
	Original	Apr. 1979
	Revised	Feb. 1985

STORM DRAIN GRATE FOR
900mm x 1200mm STORM DRAIN INLET (CROSS BARS)