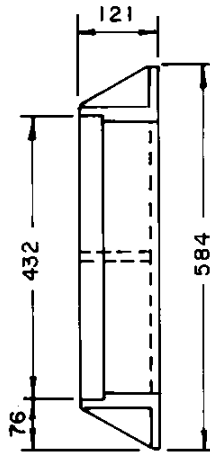
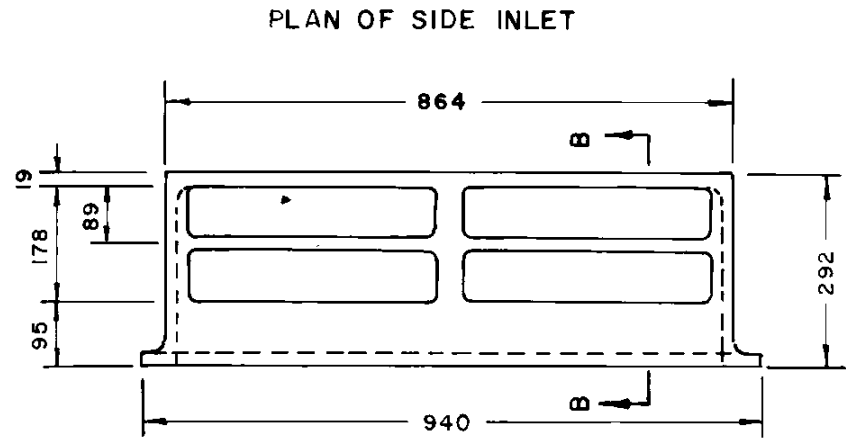


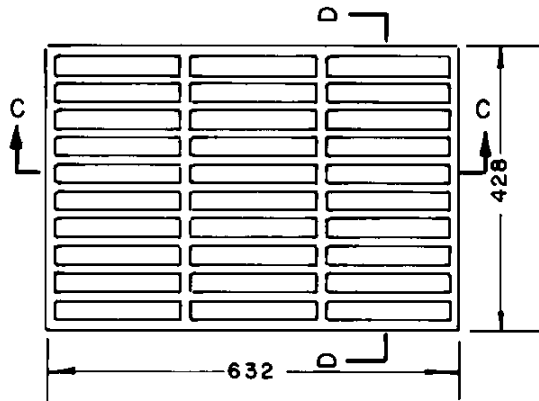
PLAN OF FRAME



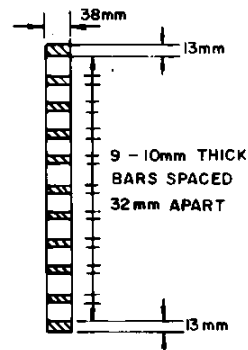
SECTION A-A



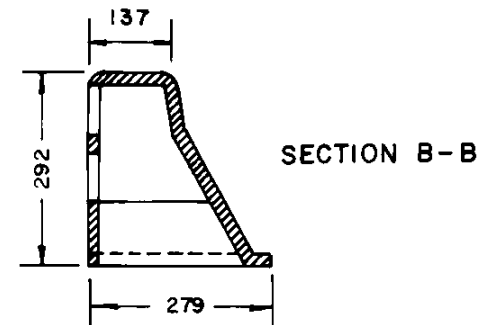
FRONT VIEW



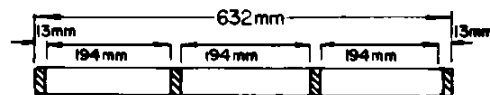
PLAN OF GRATE



SECTION D-D



SECTION B-B



SECTION C-C

NOTE:  
 DETAIL BASED ON TYPE F51  
 FOUNDRY CASTINGS.  
 NOMINAL METRIC DIMENSIONS SHOWN IN mm.  
 PLAN NOT TO SCALE

**Alberta**  
 TRANSPORTATION  
 Engineering Division

DWG. No	CB-6 2.10M29
Date	
Original	SEPT. 1986
Revised	OCT. 1986
Revised	

**STORM DRAIN INLET  
 FRAME AND COVER**