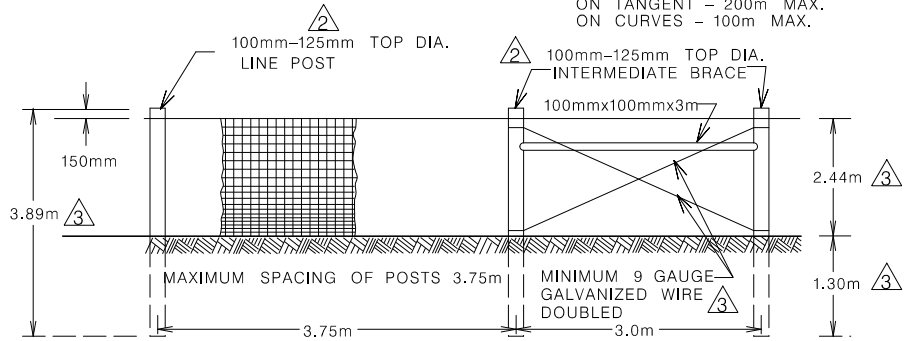
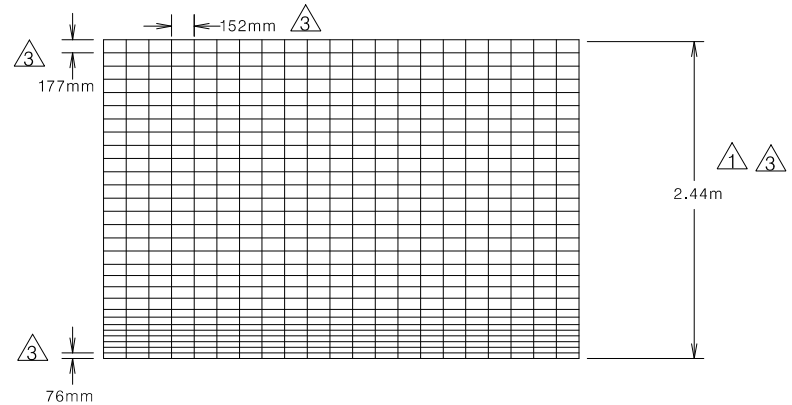


SPACING OF BRACE ASSEMBLIES

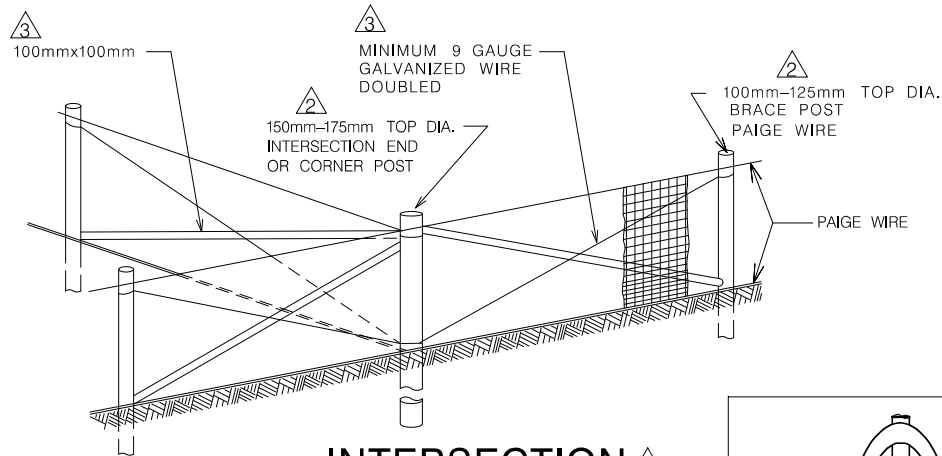
ON TANGENT - 200m MAX.
ON CURVES - 100m MAX.



ELEVATION FENCE ³



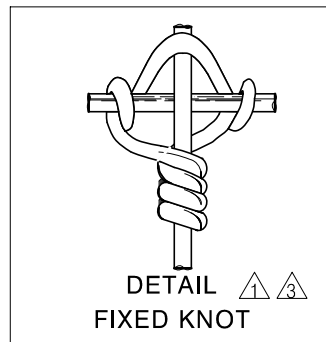
PAIGE WIRE FENCE SPACING ³



INTERSECTION ³

NOTES: ³

1. ALL FENCE POSTS SHALL BE PRESSURE TREATED.
- ² 2. ALLOWABLE TAPER FROM END TO END OF POSTS SHALL NOT EXCEED 38mm IN DIAMETER. POSTS SHALL BE INSTALLED WITH THE LARGE END DOWN.
3. PAIGE WIRE FENCE WIRES TO BE SPACED AS SHOWN WITH 12.5mm GAUGE HIGH TENSILE WIRE, GALVANIZED WITH CLASS 3 COATING USED THROUGHOUT.
4. LINE AND STAY WIRES TO BE JOINED THROUGHOUT WITH FIXED KNOT ¹ CONSTRUCTION (SEE DETAIL)
5. ADJACENT ROLLS OF PAIGE WIRE TO BE JOINED AT POST LOCATIONS.
6. MINIMUM 40mm LONG BARBED STAPLES TO BE SPACED 152mm INTERVALS SO THAT EACH LINE WIRE IS FIRMLY ATTACHED TO THE FENCE POST.
7. NOMINAL DIMENSIONS FOR PAIGE WIRE SHOWN. SEE SPECIFICATION FOR DETAILS.



³	FENCE HEIGHT, FABRIC, INTERSECTION AND NOTES 3, 4 AND 6	P.M.	01/17
²	MILL TOLERANCE FOR CORNER POST ADDED	B.K.	02/02
¹	REV DETAIL, DIMENSION AND NOTE	B.K.	10/99
No.	REVISIONS	BY	DATE

Approved:	
ORIGINAL SIGNED BY ALLAN KWAN ----- Executive Director, Technical Standards Branch	
Date: May 26, 1993	

CLASS "F" FENCE

Prepared By: M.K.	Checked By: B.K.	Scale: N.T.S.	Dwg No.: CB6-2.12M7
-------------------	------------------	---------------	---------------------