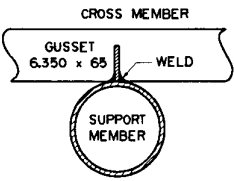
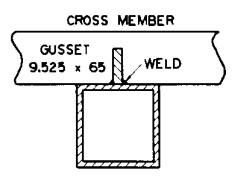


FENCE DETAIL

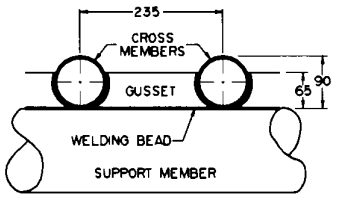
MATERIALS LIST				
ITEM	QTY.	DESCRIPTION	MATERIAL (STEEL)	DIMENSIONS (mm)
1	2	SIDE PANELS	RECTANGULAR STRUCTURAL TUBING	HSS 4.762 WALL 50 x 205 x 600 L.G.
2	4	MUD SILLS	ROUND STRUCTURAL TUBING	HSS 4.762 WALL 220 O.D. x 600 L.G.
3	24	GUSSETS FOR MUD SILLS	FLAT BAR	9.525 x 100 x 100
4	2	BREAK-AWAY END POSTS	ROUND STRUCTURAL TUBING	HSS 3.069 WALL 60 O.D. x 1850 L.G.
5	10	BRACKETS FOR END POSTS	HALF ROUND BAR	6.350 x 75 L.G.
6	2	SLEEVES FOR END POSTS	ROUND STRUCTURAL TUBING	HSS 5.559 WALL 75 O.D. x 500 L.G.
7	2	BASE PLATE FOR SLEEVES	FLAT BAR ON PLATE	9.525 THK. x 75 DIA.
8	1	CROSS MEMBERS	ROUND STRUCTURAL TUBING	HSS 4.762 WALL 90 O.D. x 600 L.G.
9	60	GUSSETS FOR CROSS MEMBERS	FLAT BAR OR PLATE	6.350 x 65 x 205 L.G.
10	6	SUPPORT MEMBERS	ROUND STRUCTURAL TUBING	HSS 6.350 WALL 170 O.D. x 2440 L.G.
		ALTERNATE SUPPORT MEMBERS	SQUARE STRUCTURAL TUBING	HSS 6.350 WALL 125 x 125 x 2440 L.G.



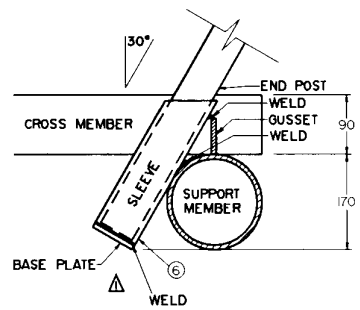
DETAIL 1



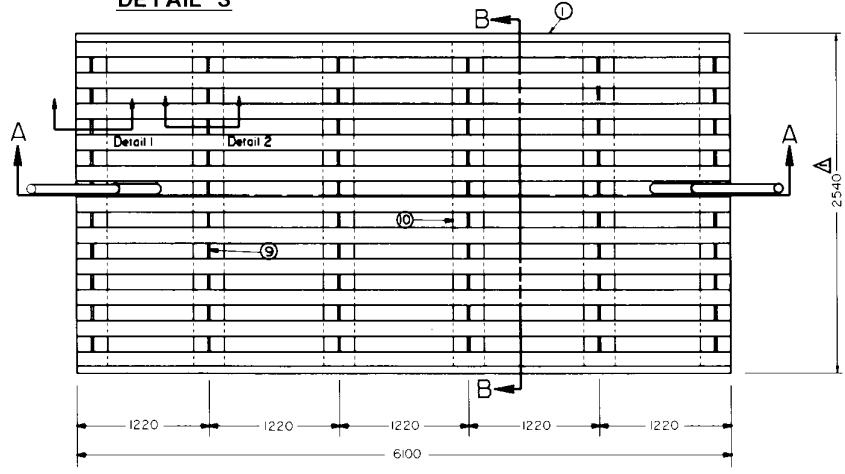
DETAIL 2



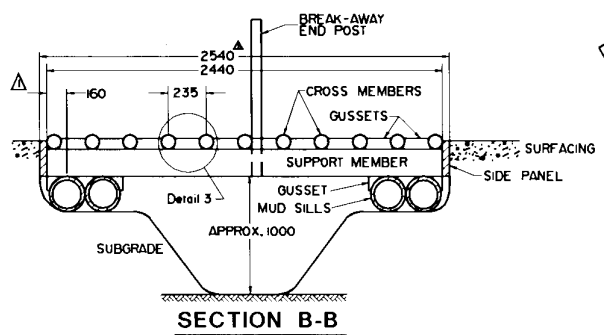
DETAIL 3



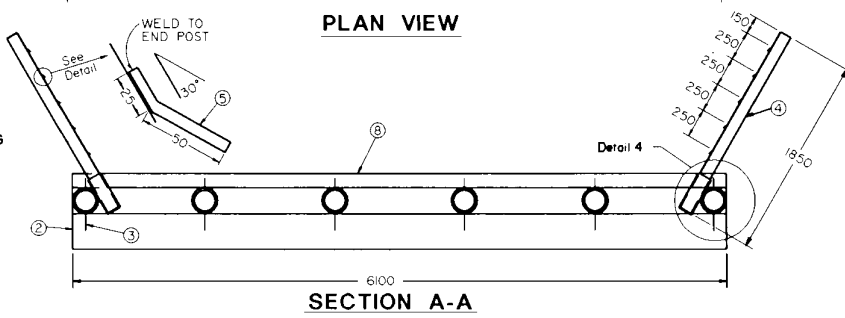
DETAIL 4



PLAN VIEW



SECTION B-B



SECTION A-A

- NOTES**
1. DIMENSIONS ON THIS PLAN ARE SHOWN IN MM OR DECIMALS THERE-OF. ROUNDED DIMENSIONS ARE USED WHERE POSSIBLE.
 2. SURFACES OF STEEL SHALL BE GIVEN ONE COAT OF OIL ALKID TYPE PRIMER TO CONFORM TO C.A.S.B. SPECIFICATION 1-0P-100M.
 3. CROSS MEMBERS SHALL BE FILET WELDED TO THE GUSSET PLATES WITH 6mm MINIMUM WELD. ALL OTHER FILET WELDS SHALL BE 6mm MINIMUM.

STANDARD HIGHWAY TYPE LIVESTOCK GUARDS ARE SUITABLE FOR PAVED AND UNPAVED ROADS. THEY ARE DESIGNED TO CARRY ANY LEGAL HIGHWAY VEHICLE AT VARIOUS SPEEDS. LIVESTOCK GUARDS THAT ARE TO BE USED FOR OFF-HIGHWAY APPLICATIONS SUCH AS LOADING OR MINING ACCESS ROADS MUST MEET ADDITIONAL STANDARDS. REFER TO "LIVESTOCK GUARD SPECIFICATION FOR ALTERNATIVE DESIGNS".

No.	REVISIONS	BY	DATE

Approved: *Alison Kavan*
 Executive Director,
 Technical Standards Branch

Alberta
 TRANSPORTATION
 AND UTILITIES

Date: NOVEMBER 22, 1994

LIVESTOCK GUARD
 STANDARD HIGHWAY TYPE
 6.1m WIDTH

Prepared By: A.N. & B.R.	Checked By: B.K. & J.F.	Scale: N.T.S.	Draw. No.: CB6 - 2.13 M6
--------------------------	-------------------------	---------------	--------------------------

GRAPHICS FILE: ad33m06.mxd