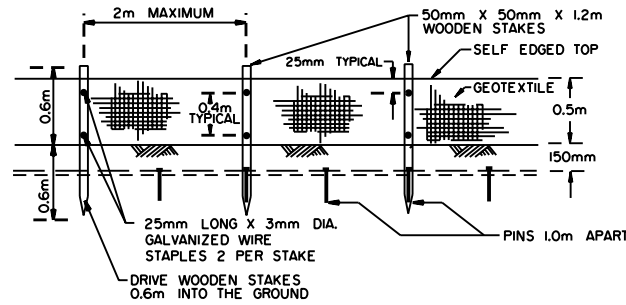
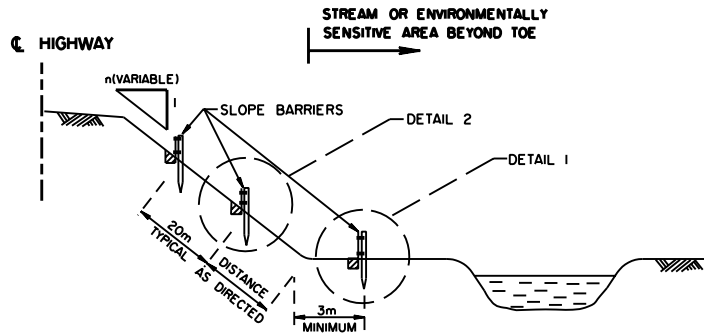


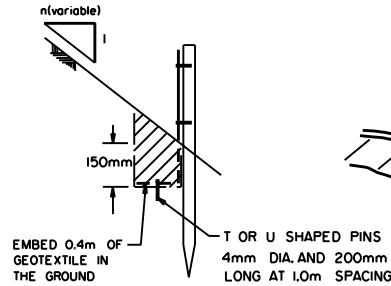
DETAIL 1 (DITCH BARRIER SIMILAR)



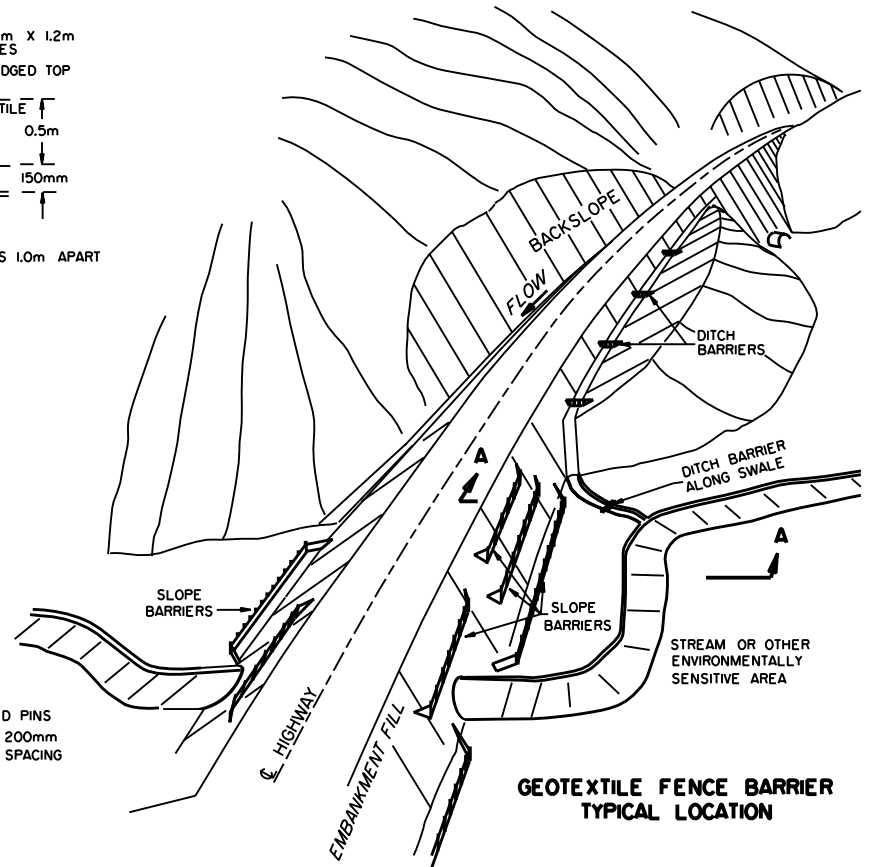
ELEVATION-SLOPE BARRIER



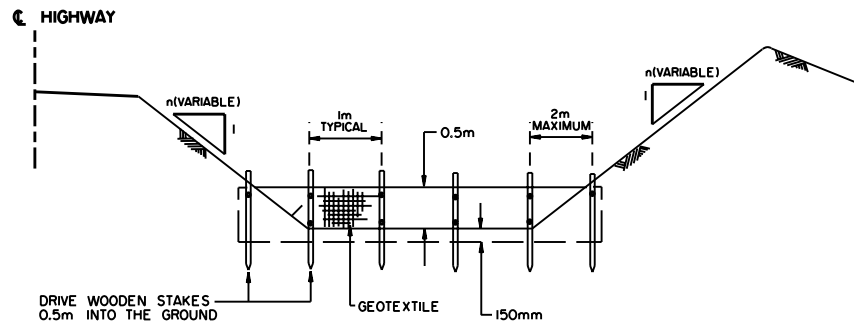
SECTION A-A



DETAIL 2



GEOTEXTILE FENCE BARRIER TYPICAL LOCATION



ELEVATION- DITCH BARRIER

Notes:

1. Toe barriers to be installed before construction commences. On-slope barriers to be installed when fill height reaches 2m above proposed barrier location.
2. Silt accumulation to be removed when half barrier height covered.
3. Barriers to be removed after vegetation established.
4. Non-woven geotextile conforming to AT&U specifications shall be used.
5. Proper storage of geotextile mandatory until used in structure.

No.	REVISIONS	BY	DATE
Approved:			
ORIGINAL SIGNED BY ALLAN KWAN			
Executive Director, Technical Standards Branch			
Date:	JANUARY 29, 1996		
OBSELETE Refer to INRA DESIGN GUIDELINES FOR EROSION CONTROL SEDIMENTATION HIGHWAYS			
Prepared By: R.M.	Checked By: B.K.	Scale: N.T.S.	Dwg No.: CB6 2.16M4