

ELEVATION FARM GATE

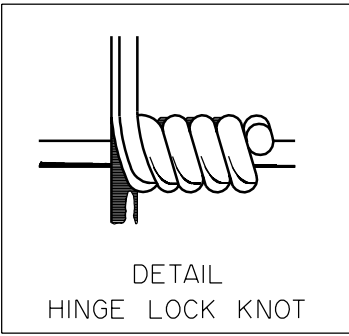
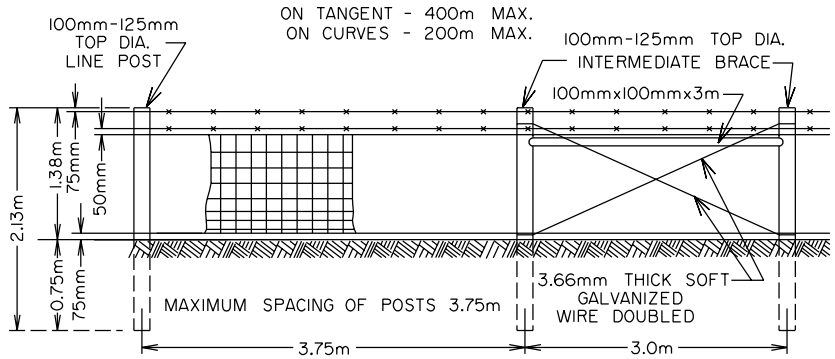
ESTIMATED MATERIAL INCLUDED IN 1km OF FENCING

- LINE POSTS - 2.13m LONG AND 100 mm - 125mm TOP DIA - - - - - 267
- BARBED WIRE (1 SPOOL = 402m) - - - - - 5 SPOOLS
- TWO STRAND BARBED WIRE (FOUR POINT GALVANIZED 2.5mm THICK STRANDS.) (9 - 978mmx152mm) PAIGE WIRE AVAILABLE IN 100m ROLLS.
- 40mm STAPLES (APPROX. 140 STAPLES PER kg) - - - - - 34 kg

ESTIMATED MATERIAL REQUIRED FOR 1 GATE

- BRACE POSTS - 2.13m LONG AND 100mm -125mm TOP DIA. - - - - - 2
- GATE, INTERSECTION, AND END CORNER POSTS
- 2.44m LONG AND 150mm-175mm TOP DIA. - - - - - 4
- 100mmx100mm DIMENSION LUMBER BRACES - - - - - 7
- 3.66mm THICK SOFT GALVANIZED WIRE FOR DIAGONAL BRACING (APPROX. 1.5kg PER BRACE) - - - - - 11 kg

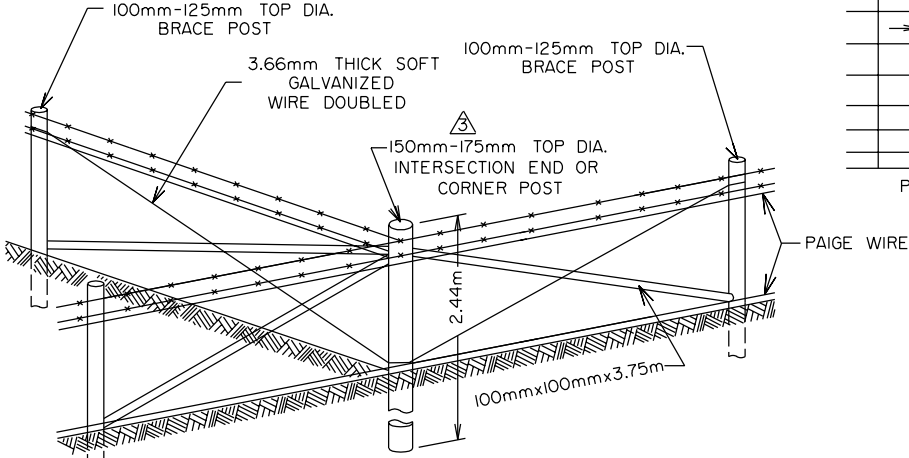
SPACING OF BRACE ASSEMBLIES



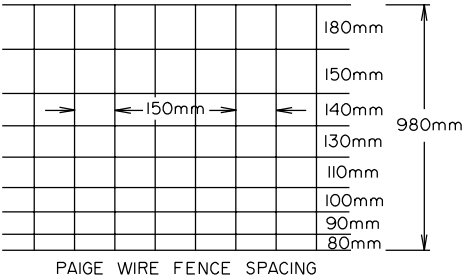
NOTES:

1. ALL FENCE POSTS SHALL BE PRESSURE TREATED.
2. ALLOWABLE TAPER FROM END TO END OF POSTS SHALL NOT EXCEED 38mm IN DIAMETER. POSTS SHALL BE INSTALLED WITH THE LARGE END DOWN.
3. PAIGE WIRE FENCE WIRES TO BE SPACED AS SHOWN ABOVE WITH 3.35mm THICK TOP AND BOTTOM WIRES AND NOT LIGHTER THAN 2.64mm THICK FILLER WIRES.
4. ADJACENT ROLLS OF PAIGE WIRE TO BE JOINED AT POST LOCATIONS.
5. LINE AND STAY WIRES TO BE JOINED THROUGHOUT WITH HINGE-LOCK KNOT CONSTRUCTION (SEE DETAIL).
6. NOMINAL DIMENSIONS FOR PAIGE WIRE SHOWN
7. SINGLE STRAND BARBED WIRE ALLOWED IF REQUESTED BY THE LANDOWNER.

ELEVATION FENCE



INTERSECTION



③	MILL TOLERANCE FOR GATE POST ADDED	B.K	02/02
②	2 STRAND BARBED WIRE RECOMMENDED	B.K	06/96
①	MATERIAL LIST CHANGED	B.K	07/95
No.	REVISIONS	BY	DATE

Approved: ORIGINAL SIGNED BY ALLAN KWAN ----- Executive Director, Technical Standards Branch	
Date: May 26, 1993	

CLASS "D" FENCE

Prepared By: M.K.	Checked By: B.K	Scale: N.T.S.	Dwg No.: CB6-2.12M4
-------------------	-----------------	---------------	---------------------