

**ELEVATION FARM GATE**

**ESTIMATED MATERIAL INCLUDED IN 1 km OF FENCING**

- LINE POSTS - 2.13m LONG AND 100 mm - 125mm TOP DIA ..... 267
- BARBED WIRE (1 SPOOL = 402m) ..... 5 SPOOLS
- TWO STRAND BARBED WIRE (FOUR POINT GALVANIZED 2.5mm THICK STRANDS.) (8 - 1066mmx300mm) PAIGE WIRE AVAILABLE IN 100m, 150m, 200m ROLLS.
- 40mm STAPLES (APPROX. 140 STAPLES PER kg) ..... 19 kg

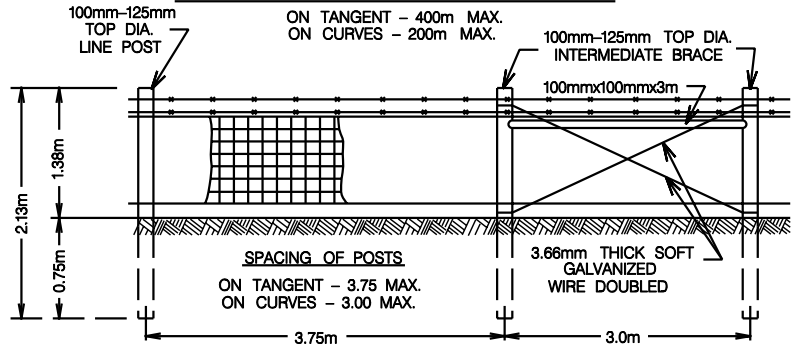
**ESTIMATED MATERIAL REQUIRED FOR 1 GATE**

- BRACE POSTS - 2.13m LONG AND 100mm -125mm TOP DIA. .... 2
- GATE, INTERSECTION, AND END CORNER POSTS 2.44m LONG AND 150mm-175mm TOP DIA. .... 4
- 100mmx100mm DIMENSION LUMBER BRACES ..... 7
- 3.66mm THICK SOFT GALVANIZED WIRE FOR DIAGONAL BRACING (APPROX. 1.5kg PER BRACE) ..... 11 kg

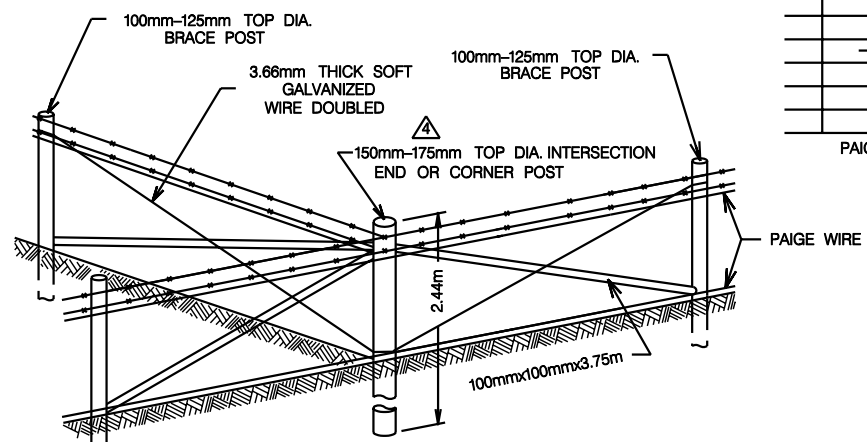
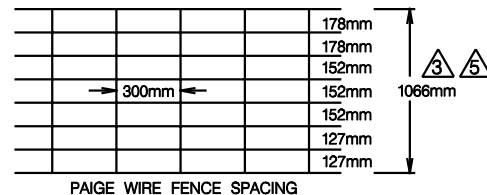
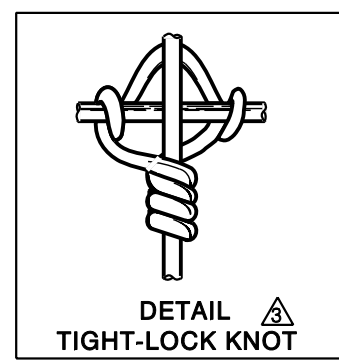
**NOTES:**

1. ALL FENCE POSTS SHALL BE PRESSURE TREATED.
2. ALLOWABLE TAPER FROM END TO END OF POSTS SHALL NOT EXCEED 38mm IN DIAMETER. POSTS SHALL BE INSTALLED WITH THE LARGE END DOWN.
3. PAIGE WIRE FENCE WIRES TO BE SPACED AS SHOWN ABOVE WITH 3.35mm THICK GALVANIZED WIRE USED THROUGHOUT.
4. ADJACENT ROLLS OF PAIGE WIRE TO BE JOINED AT POST LOCATIONS.
5. LINE AND STAY WIRES TO BE JOINED THROUGHOUT WITH TIGHT-LOCK KNOT CONSTRUCTION (SEE DETAIL).
6. NOMINAL DIMENSIONS FOR PAIGE WIRE SHOWN
7. SINGLE STRAND BARBED WIRE ALLOWED IF REQUESTED BY THE LANDOWNER.

**SPACING OF BRACE ASSEMBLIES**



**ELEVATION FENCE**



**INTERSECTION**

No.	REVISIONS	BY	DATE
1	PAIGE WIRE FENCE SPACING REVISED	B.K	1 NOV 10
2	MILL TOLERANCE FOR CORNER POST ADDED	B.K	202
3	REV DETAIL, DIMENSION AND NOTE	B.K	1099
4	2 STRAND BARBED WIRE RECOMMENDED	B.K	0696
5	MATERIAL LIST CHANGED	B-K	0795

Approved:

ORIGINAL SIGNED BY ALLAN KWAN

Executive Director, Technical Standards Branch

Date: May 26, 1993

**CLASS "E" FENCE**

Prepared By: M.K.	Checked By: B.K	Scale: N.T.S.	Dwg No.: CB6-2.12M5
-------------------	-----------------	---------------	---------------------