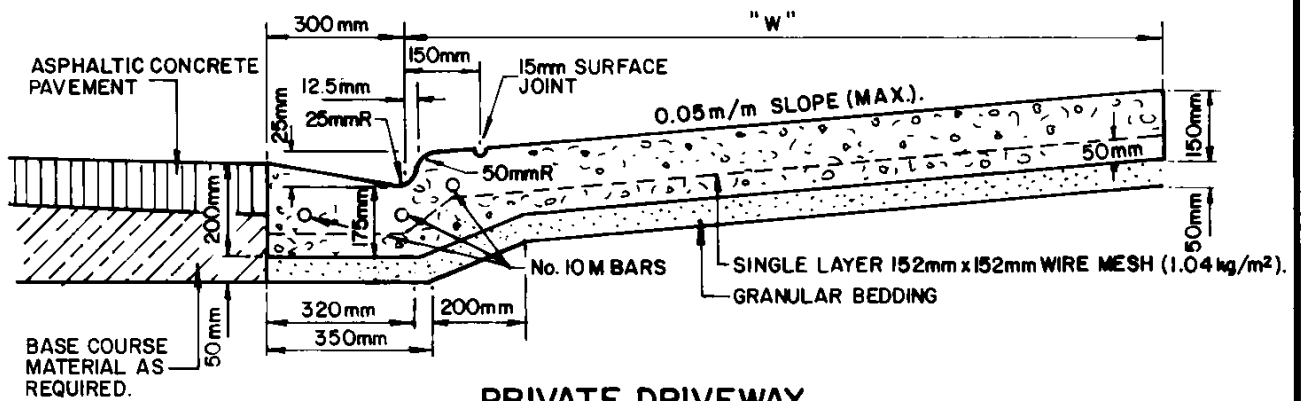
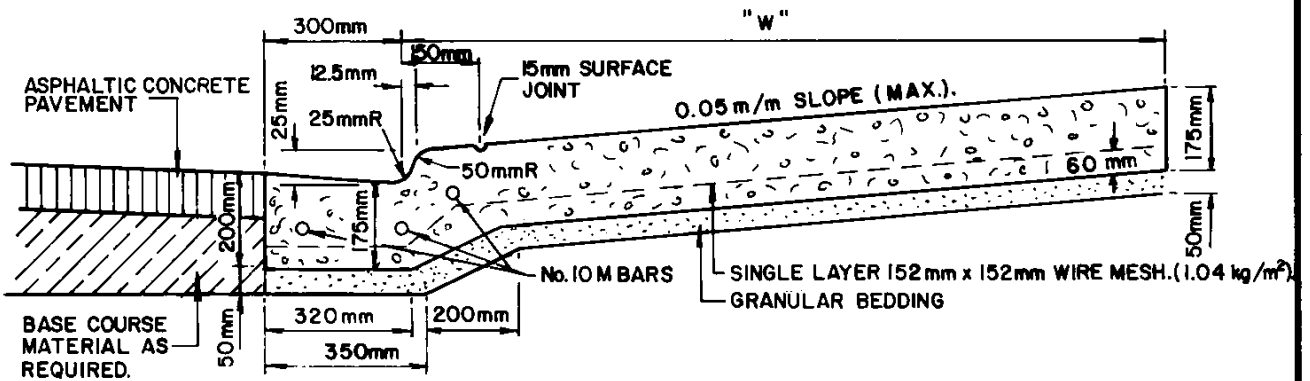


STANDARD MONOLITHIC SIDEWALK



PRIVATE DRIVEWAY



PUBLIC OR COMMERCIAL CROSSING

NOTES:

- EXPANSION JOINTS AT INTERVALS NOT EXCEEDING 6.0m
- STANDARD 1.5m SPACING OF INTERMEDIATE SURFACE JOINTS.
- PAYMENT FOR PRIVATE DRIVEWAY, LANE AND COMMERCIAL CROSSINGS AS PER SPECIFICATIONS "CONCRETE SIDEWALK CONSTRUCTION" SECTION 4.4.04.6 & 7.
- LONGITUDINAL BARS TO EXTEND THROUGH ALL SURFACE JOINTS AND END 50mm FROM EXPANSION OR CONSTRUCTION JOINTS.
- "w" = WIDTH AS SPECIFIED. (MIN. 1.5m - MAX. 3.0m).
- CONTRACTION JOINT DEPTH SHALL AVERAGE D/4.

	DWG. No	CB - 6 4.2.M82
		Date
	Original	OCT.1980
	Revised	MAR.1985

**MONOLITHIC CONCRETE SIDEWALK
CURB AND GUTTER**