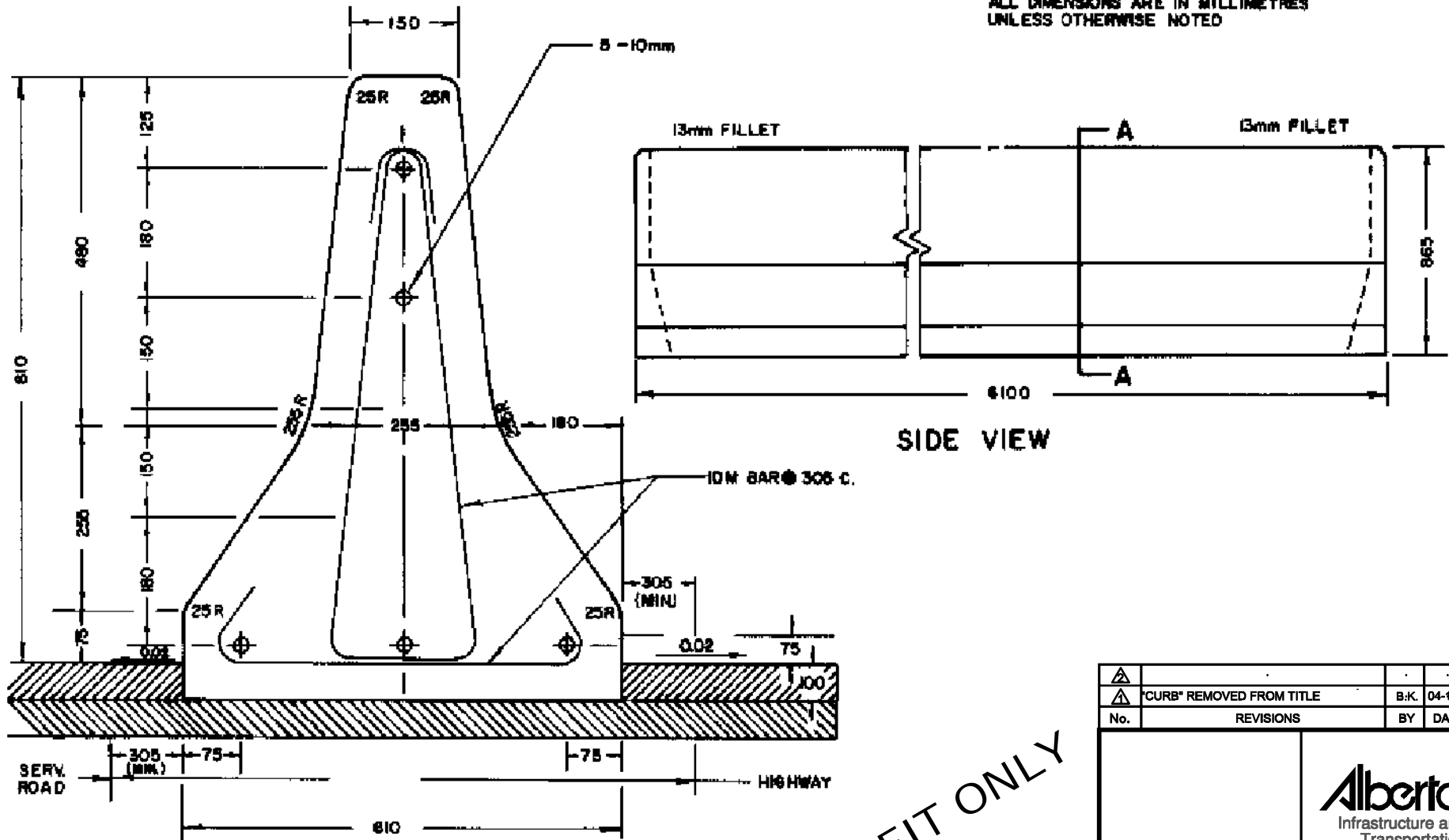


ALL DIMENSIONS ARE IN MILLIMETRES
UNLESS OTHERWISE NOTED



SECTION A-A VIEW

SIDE VIEW

FOR RETROFIT ONLY

△			
△	"CURB" REMOVED FROM TITLE	B.K.	04-17-07
No.	REVISIONS	BY	DATE

Date: MAY, 1985

PRECAST CONCRETE
BARRIER △
NJ SHAPE

Prepared By: N.N.	Checked By: B.K.	Scale: N.T.S.	Dwg No.: CB6-4.3M12
-------------------	------------------	---------------	---------------------