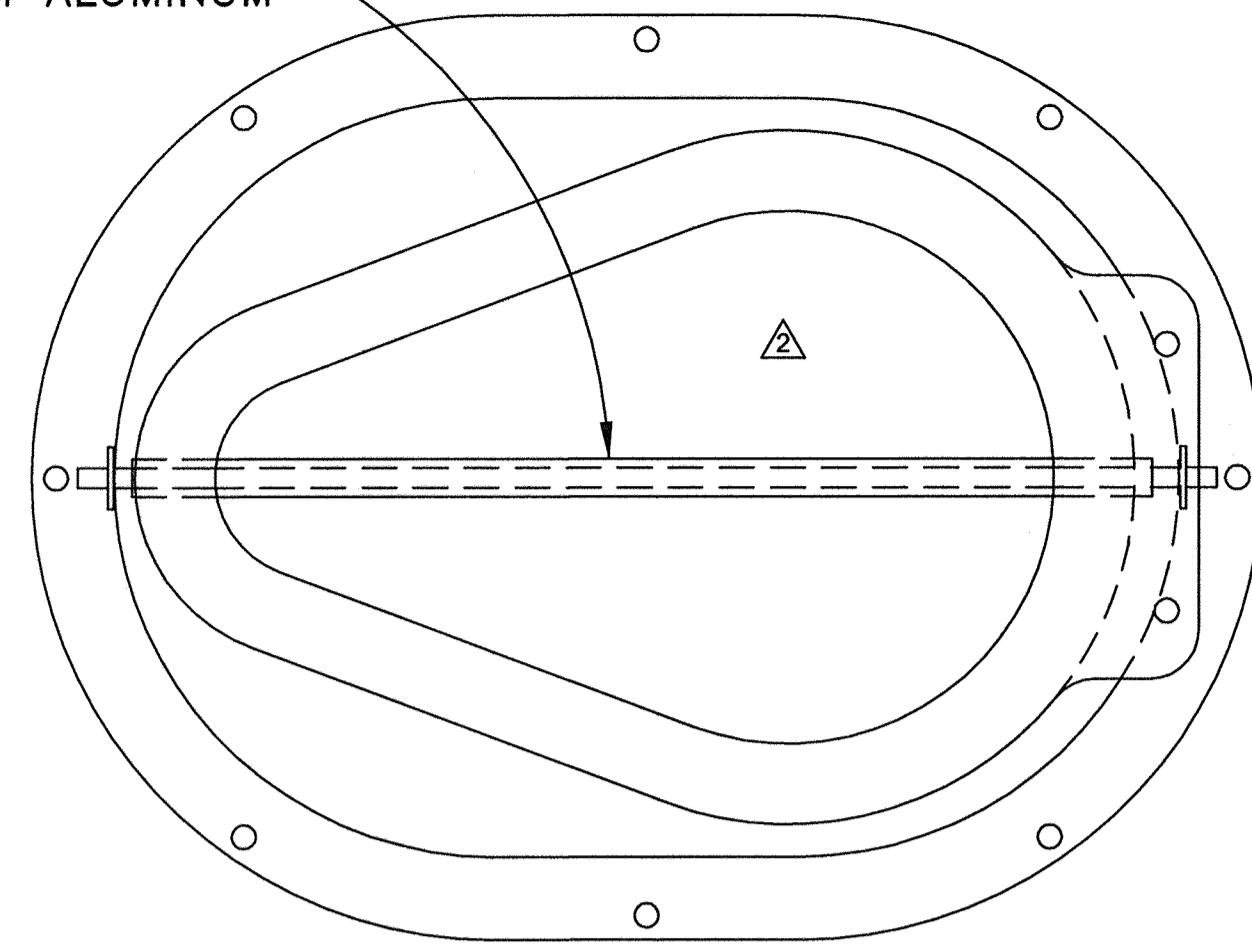
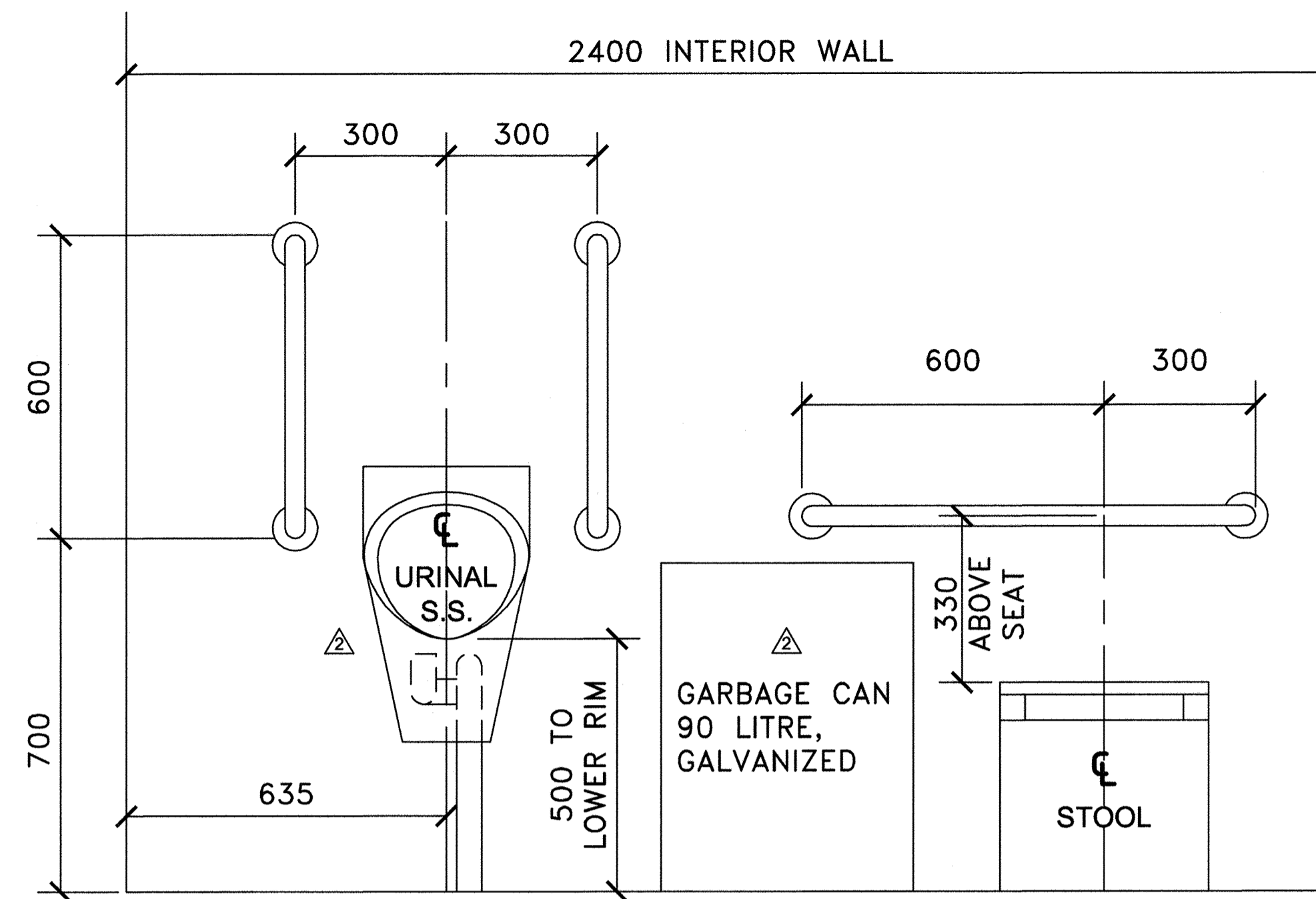


SAFETY BAR  
 Ø 19 mm ALUMINUM  
 SLEEVE ON 12M ALUMINUM  
 BAR c/w CLIPS



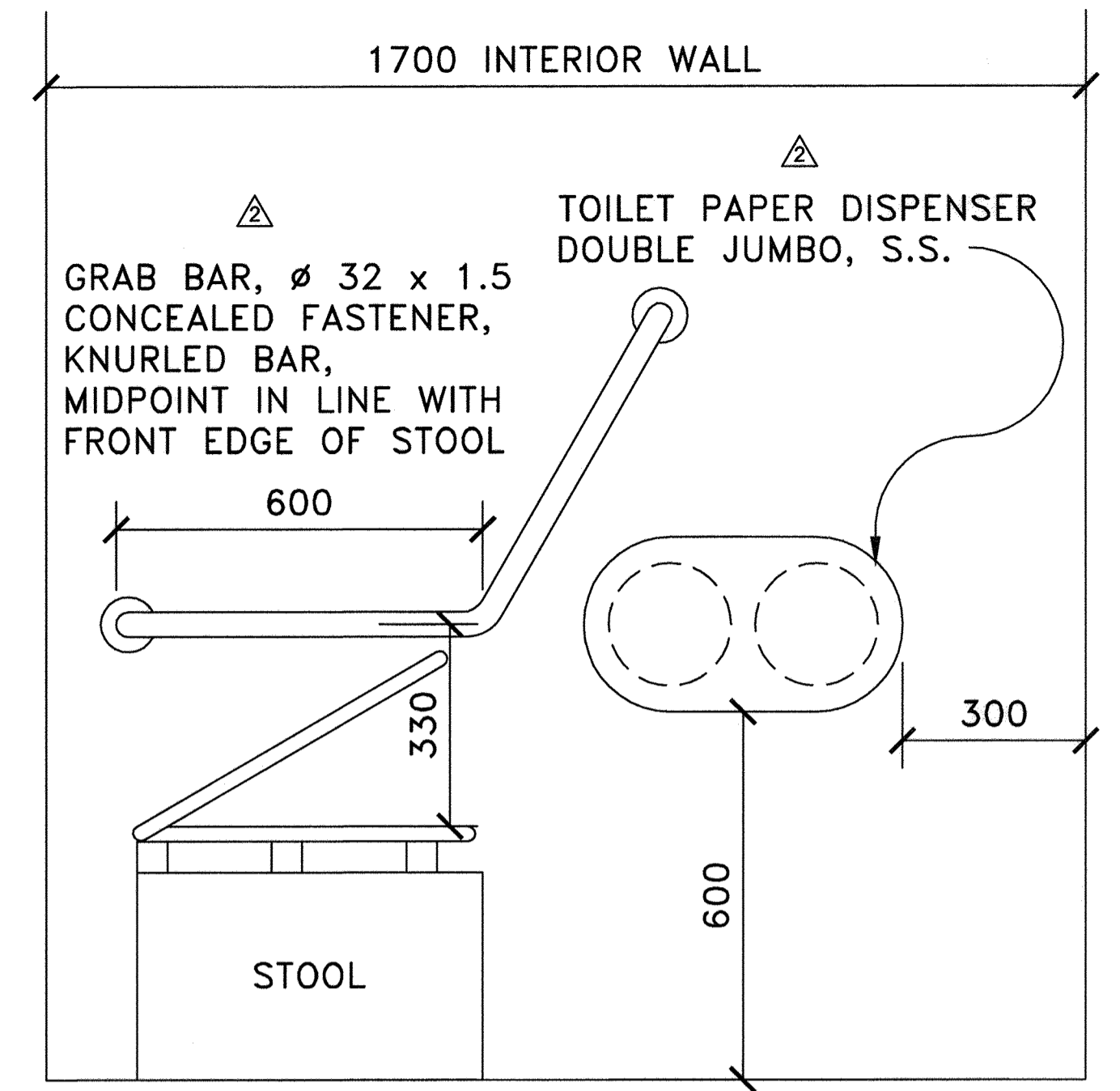
**STOOL PLAN VIEW**

N.T.S.



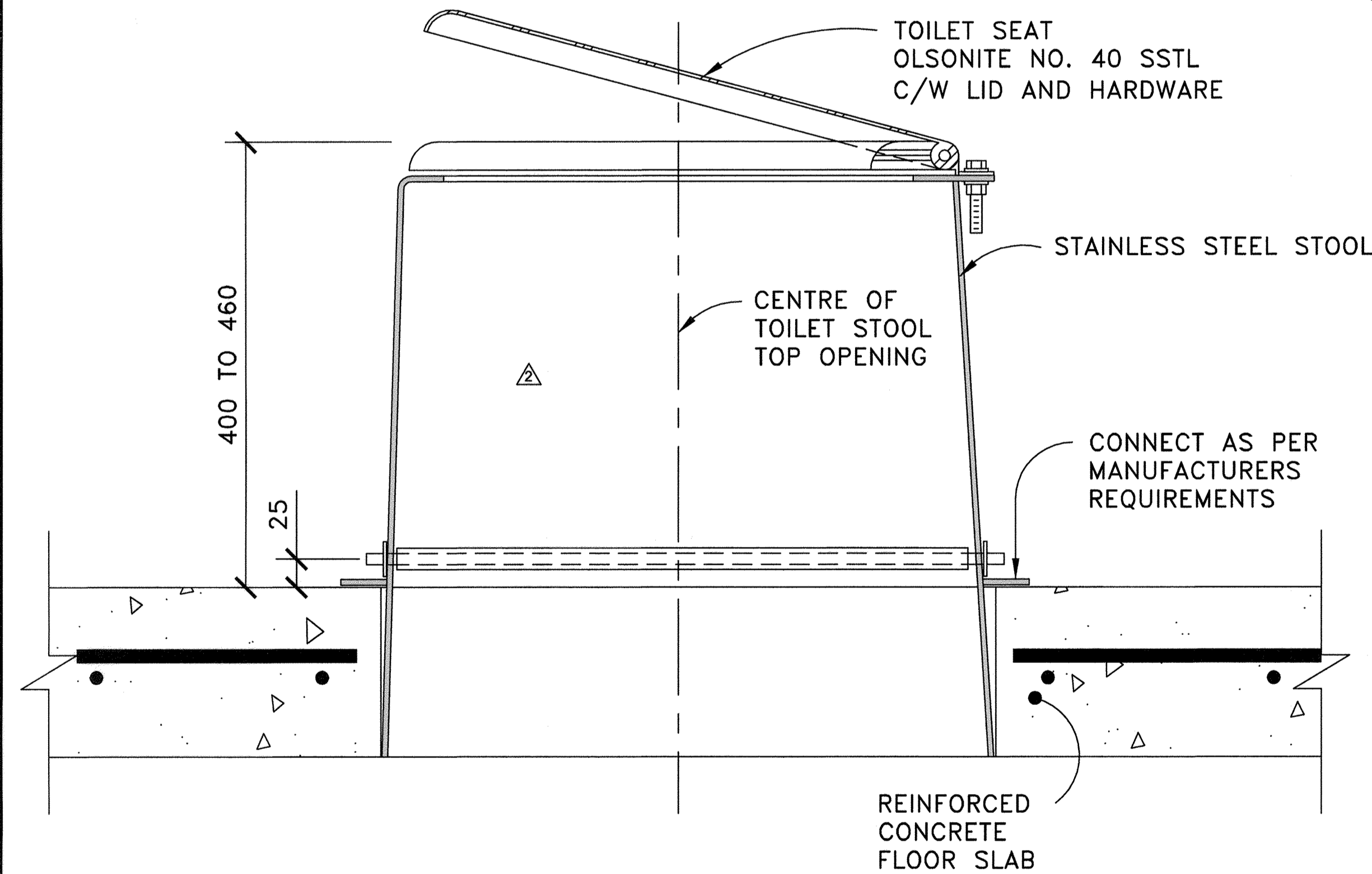
**FIXTURE LAYOUT ON WALL BEHIND STOOL IN RIGHT TOILET**

N.T.S.



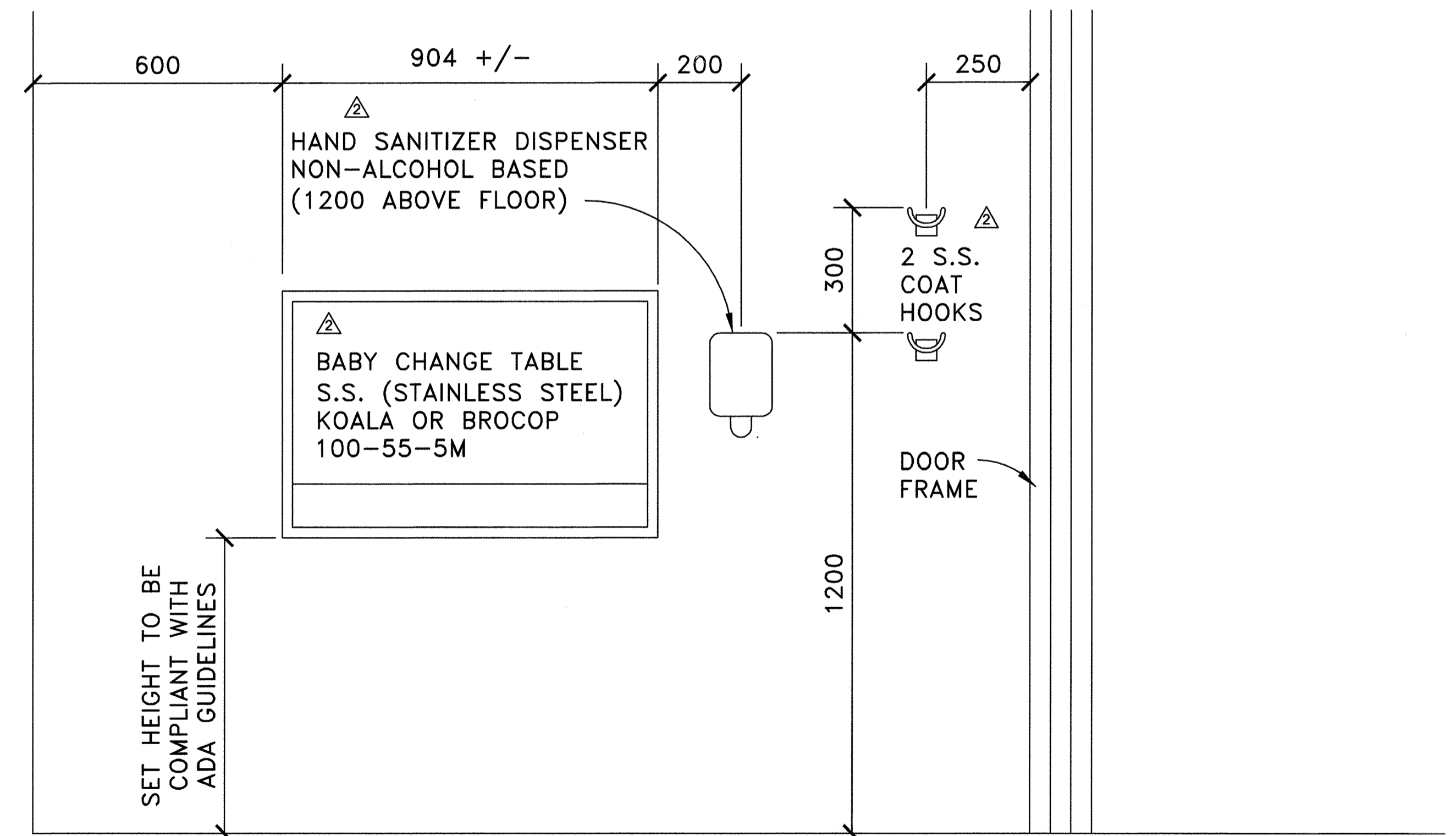
**FIXTURE LAYOUT ON WALL BESIDE STOOL IN RIGHT TOILET**

N.T.S.



**SECTION THROUGH STOOL AND TANK**

N.T.S.

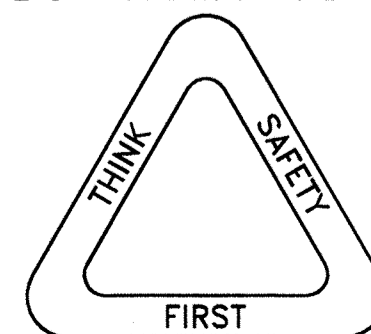


**FIXTURE LAYOUT ON WALL ACROSS FROM STOOL IN RIGHT TOILET**

N.T.S.

**NOTES:**

- ALL DIMENSIONS SHOWN IN MILLIMETRES
- LEFT TOILET FIXTURE LAYOUT IS A MIRROR OF RIGHT TOILET
- WORK THESE DRAWINGS TOGETHER CB6-4.6M1 TO 20



2013-01-18	REVISED SHEET SURROUND	AN	RECOMMENDED DIRECTOR HIGHWAY OPERATIONS
2012-02-07	ADDED AND REVISED NOTES, REVISED FIXTURES AND TITLES	AN	APPROVED EXECUTIVE DIRECTOR TECHNICAL STANDARDS BRANCH
2011-06-27	REDRAWN	SS	
DESIGNER	AN	CHECKER	DATE FEB 8/13

**Alberta** Transportation

**DOUBLE TOILET  
STOOL DETAILS AND FIXTURE LAYOUT**

DEPARTMENT BAR CODE: 2011-06-27    SHEET: 13 OF 21    DRAWING: CB6-4.6M13