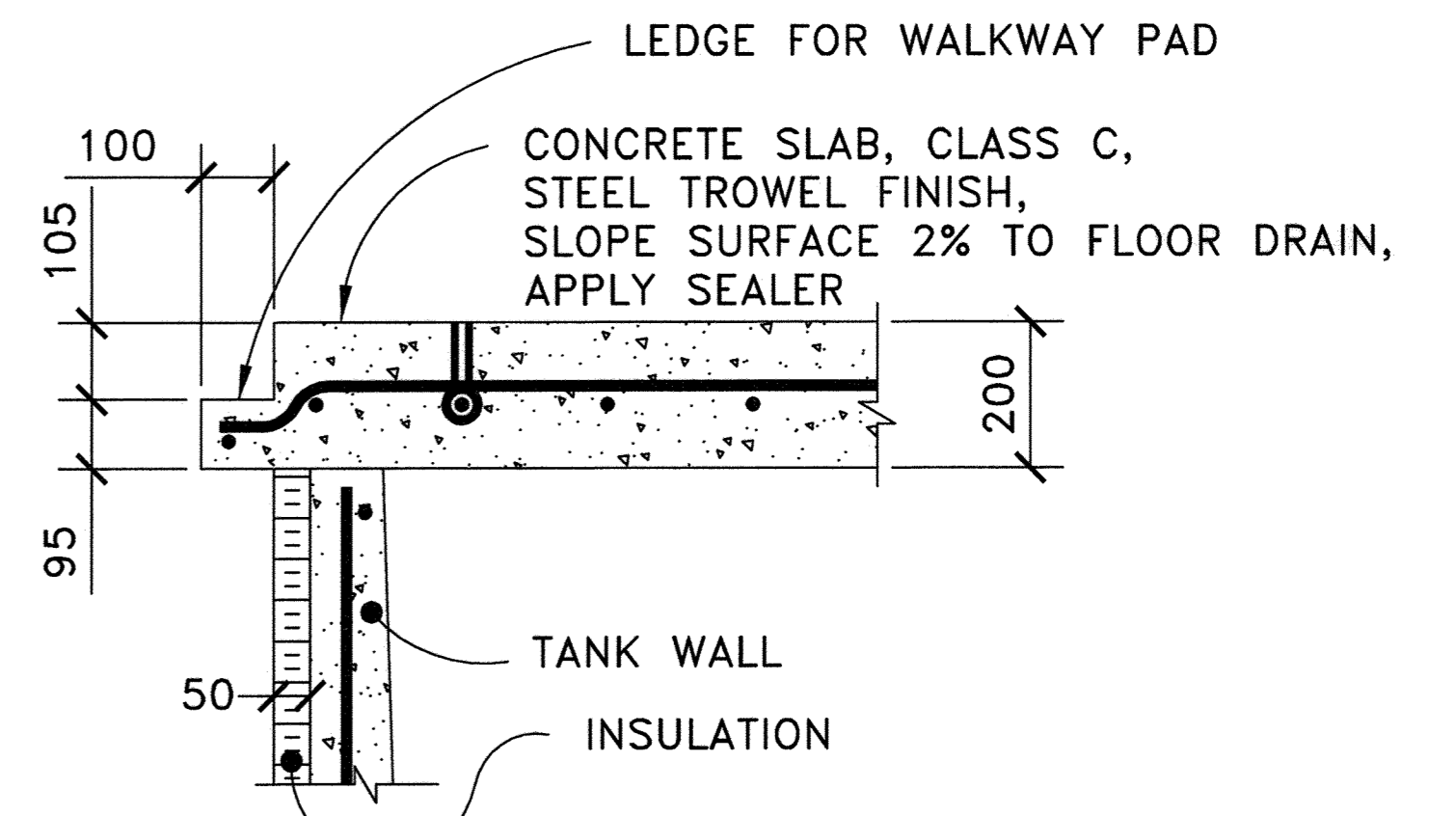
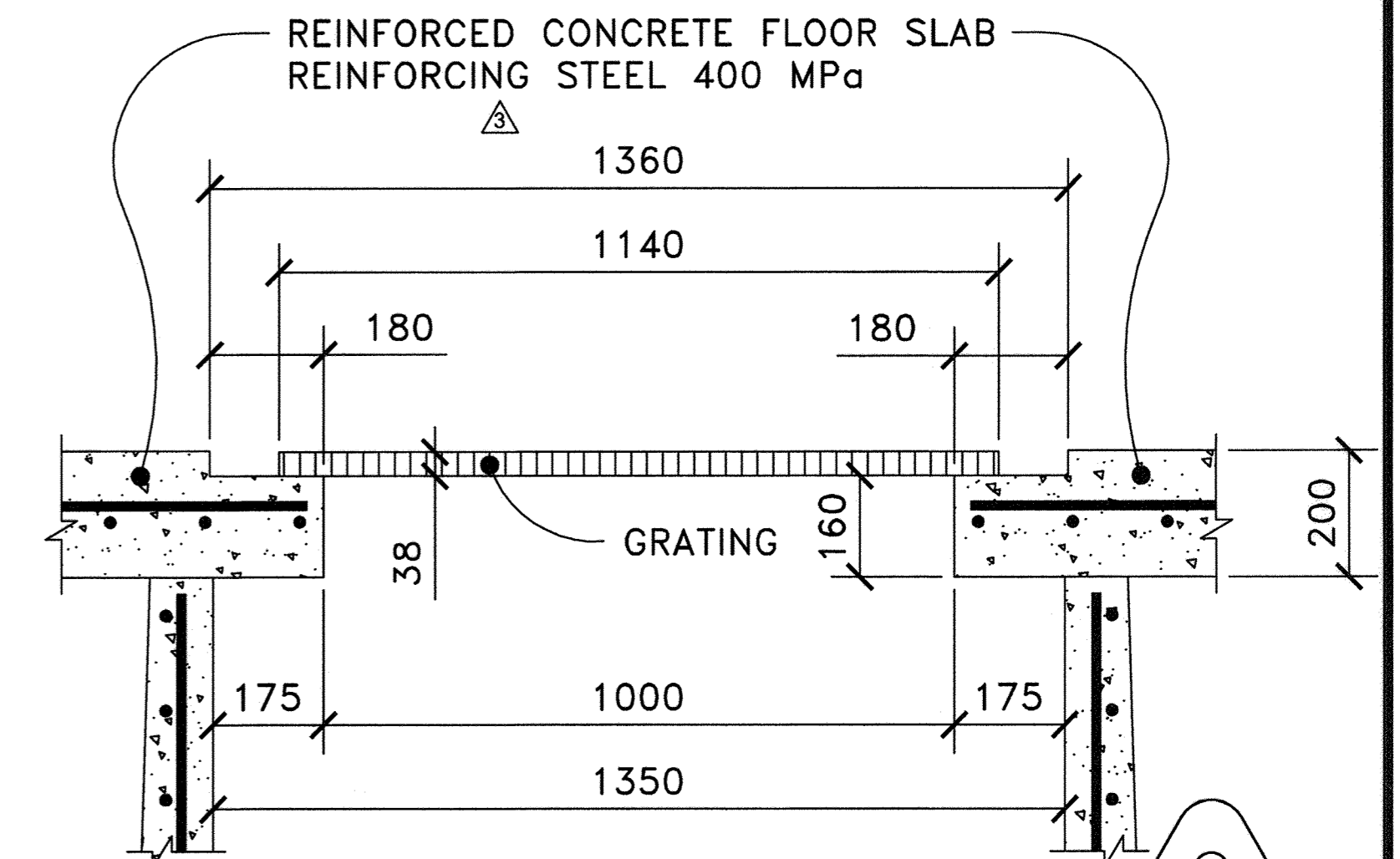


**LEGEND:**

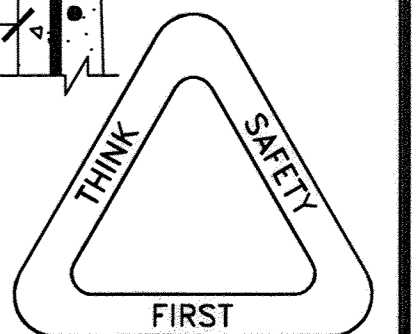
- F.D. FLOOR DRAIN
- U.D. URINAL DRAIN - ø75 mm ABS COUPLER TYP. WITH ABS DROP PIPE



**1 SECTION, THROUGH FLOOR**  
N.T.S.



**2 SECTION, THROUGH FLOOR**  
N.T.S.



- NOTES:**
- ALL DIMENSIONS SHOWN IN MILLIMETRES
  - ALL PRECAST CONCRETE FROM A PLANT CERTIFIED IN ACCORDANCE WITH CSA A251-M1982
  - WORK THESE DRAWINGS TOGETHER CB6-4.6M1 TO 20

**TOILET FLOOR SLABS LAYOUT**  
N.T.S.

<table border="1" style="width: 100%; border-collapse: collapse;"> <tr> <th>REV</th> <th>DATE</th> <th>REVISIONS</th> <th>BY</th> </tr> <tr> <td> </td> <td> </td> <td> </td> <td> </td> </tr> </table>	REV	DATE	REVISIONS	BY					<table border="1" style="width: 100%; border-collapse: collapse;"> <tr> <td style="width: 15%;"> <table border="1" style="width: 100%; border-collapse: collapse;"> <tr> <td style="width: 15%;">2013-01-18</td> <td style="width: 55%;">REVISED SHEET SURROUND</td> <td style="width: 10%;">AN</td> <td style="width: 20%;">RECOMMENDED DIRECTOR HIGHWAY OPERATIONS</td> </tr> <tr> <td>2012-02-07</td> <td>ADDED NOTES, REVISED NOTE</td> <td>AN</td> <td><i>Loth</i></td> </tr> <tr> <td>2011-06-27</td> <td>STOOL HOLE AND U.D. MOVED</td> <td>AN</td> <td> </td> </tr> <tr> <td>2009-06-15</td> <td>REDRAWN</td> <td>SS</td> <td> </td> </tr> </table> </td> <td style="width: 40%; text-align: center;"> <p>APPROVED EXECUTIVE DIRECTOR TECHNICAL STANDARDS BRANCH</p> <p><i>Arch Dal</i></p> <p>DATE <b>FEB 8/13</b></p> </td> </tr> <tr> <td>DESIGNER</td> <td>AN</td> <td>CHECKER</td> <td> </td> </tr> </table>	<table border="1" style="width: 100%; border-collapse: collapse;"> <tr> <td style="width: 15%;">2013-01-18</td> <td style="width: 55%;">REVISED SHEET SURROUND</td> <td style="width: 10%;">AN</td> <td style="width: 20%;">RECOMMENDED DIRECTOR HIGHWAY OPERATIONS</td> </tr> <tr> <td>2012-02-07</td> <td>ADDED NOTES, REVISED NOTE</td> <td>AN</td> <td><i>Loth</i></td> </tr> <tr> <td>2011-06-27</td> <td>STOOL HOLE AND U.D. MOVED</td> <td>AN</td> <td> </td> </tr> <tr> <td>2009-06-15</td> <td>REDRAWN</td> <td>SS</td> <td> </td> </tr> </table>	2013-01-18	REVISED SHEET SURROUND	AN	RECOMMENDED DIRECTOR HIGHWAY OPERATIONS	2012-02-07	ADDED NOTES, REVISED NOTE	AN	<i>Loth</i>	2011-06-27	STOOL HOLE AND U.D. MOVED	AN		2009-06-15	REDRAWN	SS		<p>APPROVED EXECUTIVE DIRECTOR TECHNICAL STANDARDS BRANCH</p> <p><i>Arch Dal</i></p> <p>DATE <b>FEB 8/13</b></p>	DESIGNER	AN	CHECKER		<p><b>Alberta</b> Transportation</p> <p><b>DOUBLE TOILET FLOOR SLABS LAYOUT AND SECTIONS</b></p> <p>DEPARTMENT BAR CODE      DATE      SHEET      DRAWING</p> <p>  2009-06-15      6 OF 21      CB6-4.6M6</p>
REV	DATE	REVISIONS	BY																													
<table border="1" style="width: 100%; border-collapse: collapse;"> <tr> <td style="width: 15%;">2013-01-18</td> <td style="width: 55%;">REVISED SHEET SURROUND</td> <td style="width: 10%;">AN</td> <td style="width: 20%;">RECOMMENDED DIRECTOR HIGHWAY OPERATIONS</td> </tr> <tr> <td>2012-02-07</td> <td>ADDED NOTES, REVISED NOTE</td> <td>AN</td> <td><i>Loth</i></td> </tr> <tr> <td>2011-06-27</td> <td>STOOL HOLE AND U.D. MOVED</td> <td>AN</td> <td> </td> </tr> <tr> <td>2009-06-15</td> <td>REDRAWN</td> <td>SS</td> <td> </td> </tr> </table>	2013-01-18	REVISED SHEET SURROUND	AN	RECOMMENDED DIRECTOR HIGHWAY OPERATIONS	2012-02-07	ADDED NOTES, REVISED NOTE	AN	<i>Loth</i>	2011-06-27	STOOL HOLE AND U.D. MOVED	AN		2009-06-15	REDRAWN	SS		<p>APPROVED EXECUTIVE DIRECTOR TECHNICAL STANDARDS BRANCH</p> <p><i>Arch Dal</i></p> <p>DATE <b>FEB 8/13</b></p>															
2013-01-18	REVISED SHEET SURROUND	AN	RECOMMENDED DIRECTOR HIGHWAY OPERATIONS																													
2012-02-07	ADDED NOTES, REVISED NOTE	AN	<i>Loth</i>																													
2011-06-27	STOOL HOLE AND U.D. MOVED	AN																														
2009-06-15	REDRAWN	SS																														
DESIGNER	AN	CHECKER																														