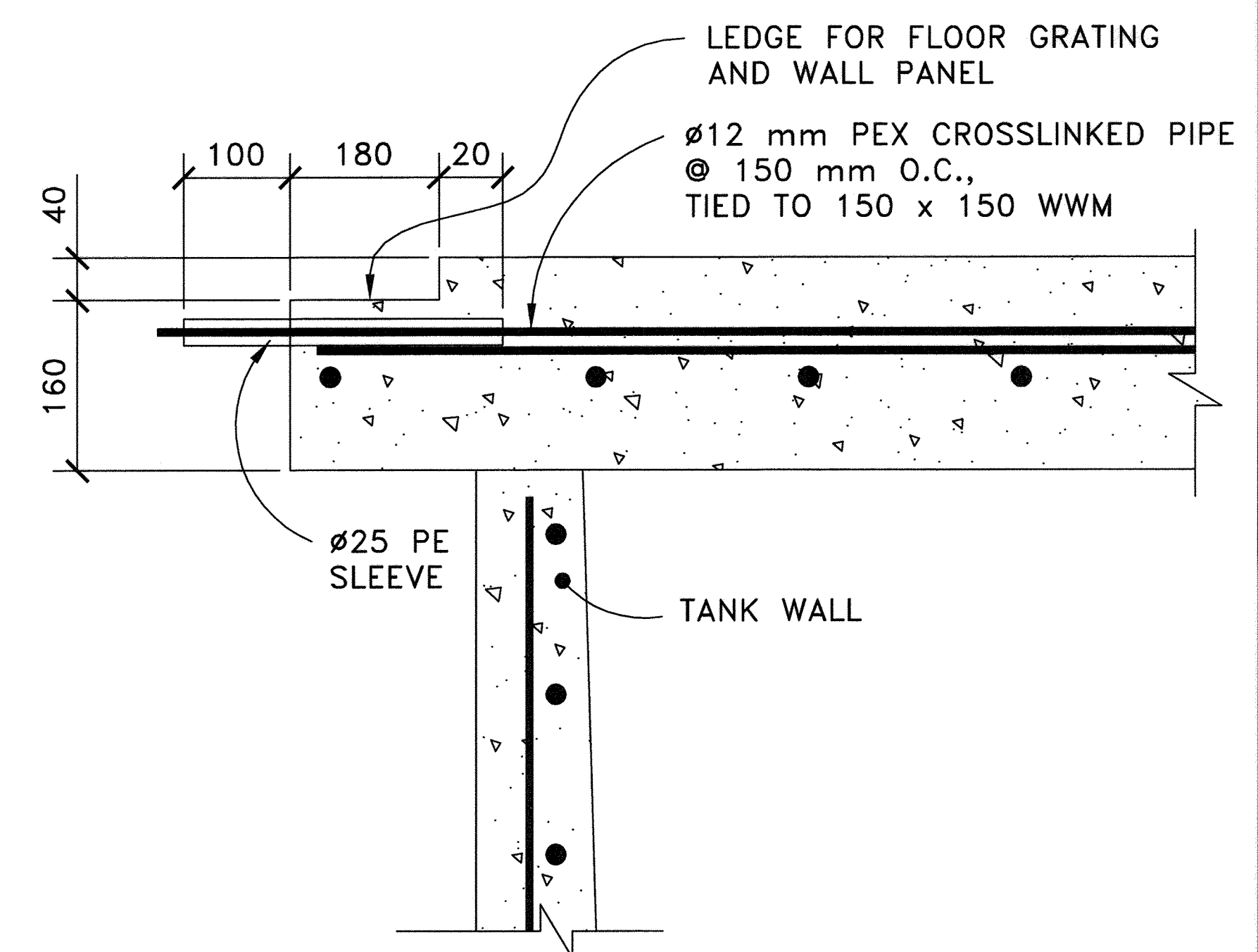


LEGEND:

- F.D. FLOOR DRAIN
- U.D. URINAL DRAIN



1 SECTION, THROUGH FLOOR
N.T.S.

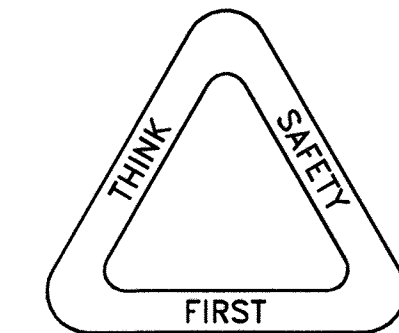
1 -

ϕ 12 mm PEX CROSSLINKED PIPE (CSA B137.5)
 @ 150 mm O.C., TIED TO 150 x 150 WWM.
 MAINTAIN 100 mm CLEARANCE FROM HOLES THROUGH SLAB.

TOILET FLOOR HEATING LAYOUT
N.T.S.

NOTES:

- ALL DIMENSIONS SHOWN IN MILLIMETRES
- WORK THESE DRAWINGS TOGETHER CB6-4.6M1 TO 20



REV	DATE	REVISIONS	BY
△	2013-01-18	REVISED SHEET SURROUND	AN
△	2012-02-07	ADDED CSA NOTE REVISED NOTE	AN
△	2011-06-27	HEATING LINES, STOOL HOLE AND U.D. MOVED. NOTE ADDED.	AN
△	2009-06-15	REDRAWN	SS
DESIGNER	AN	CHECKER	

Alberta Transportation

**DOUBLE TOILET
FLOOR HEATING LAYOUT
AND SECTION**

DEPARTMENT BAR CODE	DATE	SHEET	DRAWING
	2009-06-15	7 OF 21	CB6-4.6M7