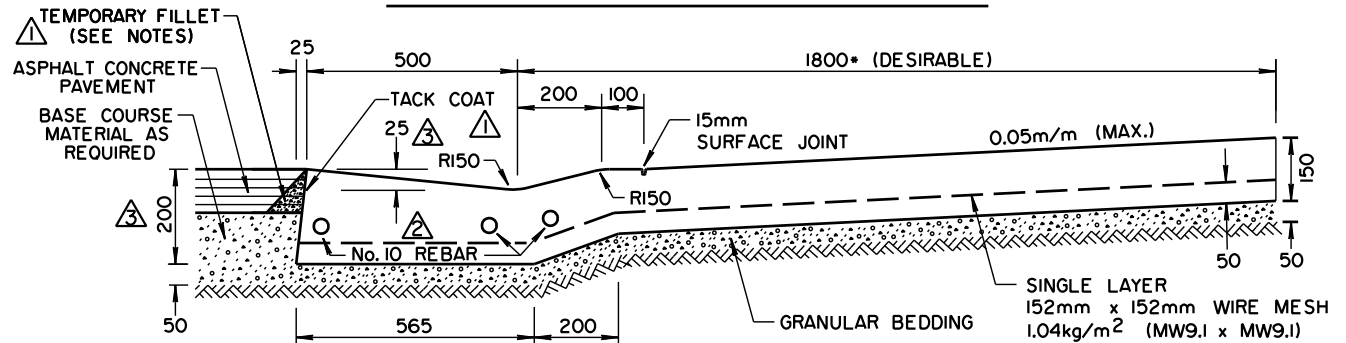
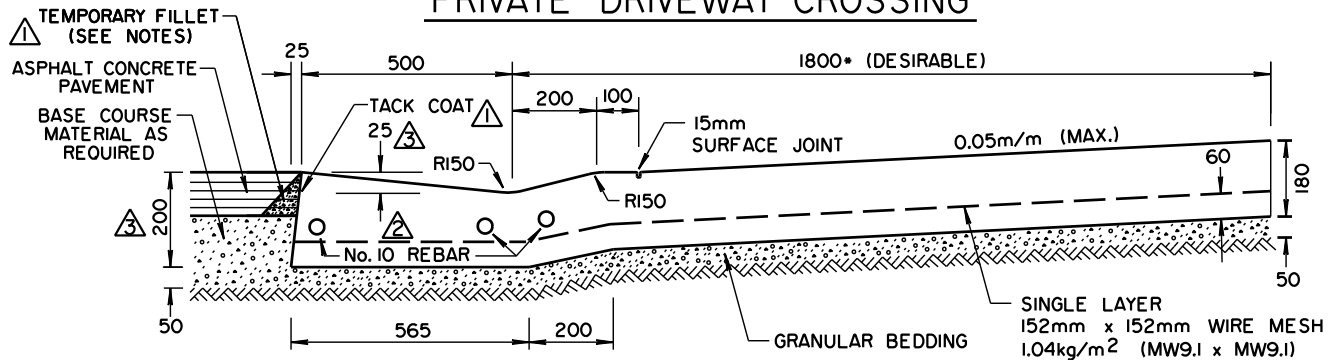


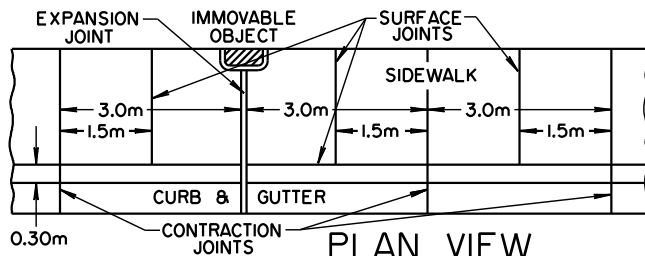
ROLLED MONOLITHIC SIDEWALK



PRIVATE DRIVEWAY CROSSING



LANE AND COMMERCIAL CROSSING



PLAN VIEW

NOTES:

NOT TO SCALE

- All dimensions shown are in millimetres unless otherwise noted.
- Contraction joints (50mm depth) shall be formed at 3m spacing (minimum).
- Surface joints (15mm depth) shall be constructed on sidewalk halfway between contraction joints and 150mm back from face of curb.
- Expansion joints shall be constructed as required in specifications.
- Wire mesh and longitudinal boxes to extend through all surface joints and end 50mm from expansion joints or contraction joints.
- A temporary fillet of asphalt stabilized base course material is to be placed along the gutter whenever asphalt concrete pavement is to be placed in the future.

* Sidewalk width as specified (min. 1.5m - max. 3.0m)

| | | | |
|-----|--|----|-----------|
| △ | GUTTER REVISED TO 25mm | BG | 19Sep2011 |
| △ | No.10M BARS REVISED TO No.10 REBAR | BK | 05/92 |
| △ | Add Note 6; Add Temp. Fillet & Tack Coat | BK | 05/92 |
| No. | REVISIONS | BY | DATE |

| | | |
|--|---------------|--|
| Approved: | | |
| ORIGINAL SIGNED BY PETER TAJCNER | | |
| Director, Design Engineering Branch | | |
| Date: | JULY 23, 1991 | |

ROLLED MONOLITHIC CONCRETE SIDEWALK, CURB AND GUTTER (500mm GUTTER)

| | | | |
|---------------------|-------------------|------------------|------------------------|
| Prepared By: Cgk | Checked By: BK | Scale: N.T.S. | Dwg No.: CB6-4.2M90 |
|---------------------|-------------------|------------------|------------------------|