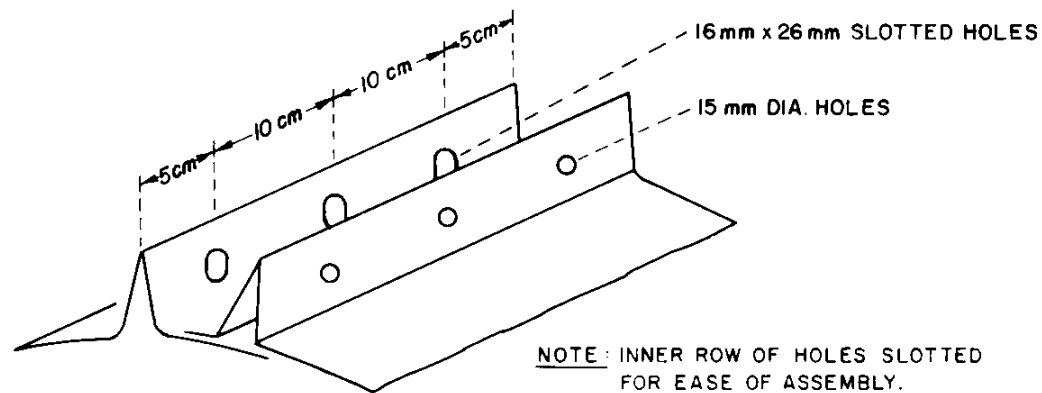


TYPICAL TIGHTENED CONNECTION



Alberta TRANSPORTATION Engineering Division	DWG. No	CB-6 5.15.M5
	Date	
	Original	Dec. 1978
	Revised	

TYPICAL FORMED-END
C.S.P. COUPLER