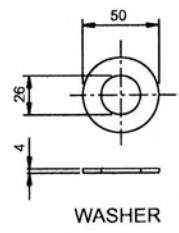
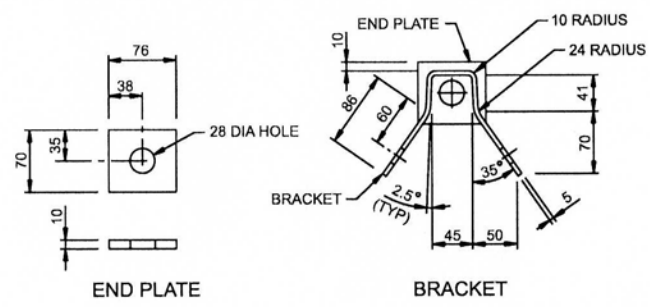
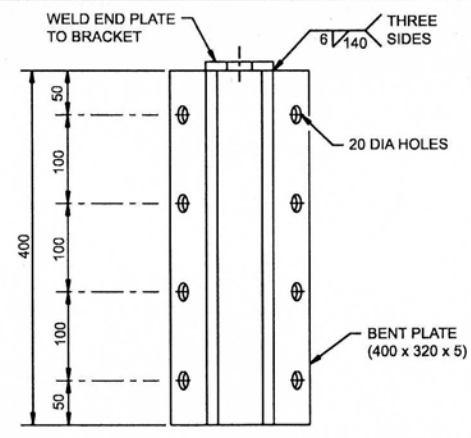


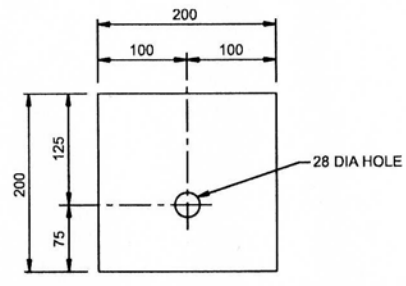
BCT CABLE ANCHOR ASSEMBLY



ALL DIMENSIONS ARE IN MILLIMETRES UNLESS OTHERWISE INDICATED.



BCT CABLE ANCHOR BRACKET



200 x 200 x 16 BCT BEARING PLATE

△			
△			
No.	REVISIONS	BY	DATE

Approved:
Allan Swan
Executive Director,
Technical Standards Branch



Date: NOVEMBER, 2007

**HARDWARE DETAILS
FOR W-BEAM AND
THRIE BEAM GUARDRAIL
CABLE ANCHOR TERMINAL**

Prepared By: MO	Checked By: WS	Scale: NTS	Dwg No.: RDG-B5.3
-----------------	----------------	------------	--------------------------