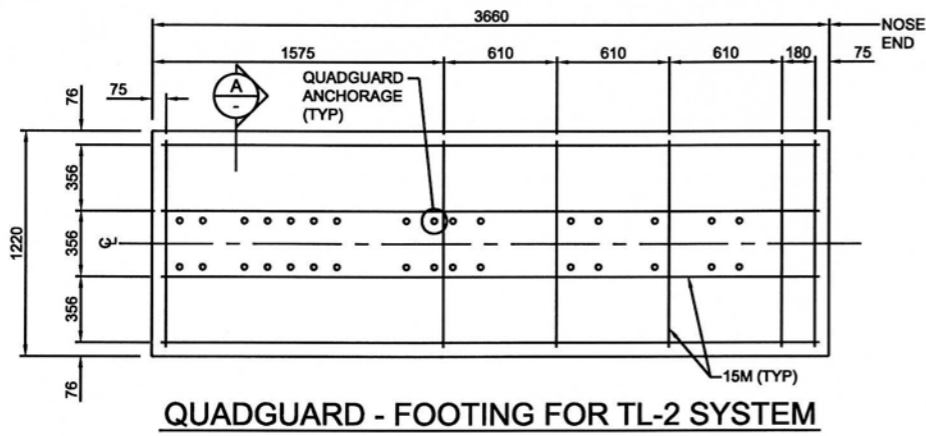
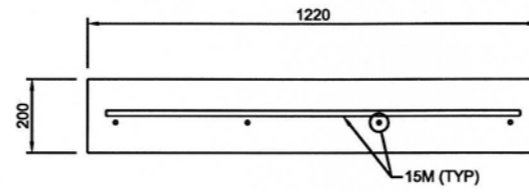


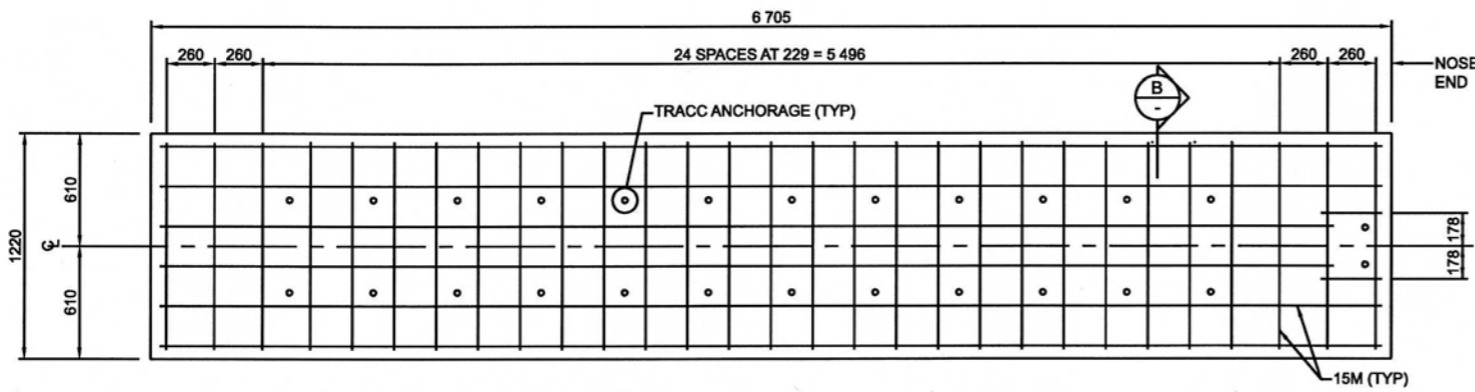
**QUADGUARD - FOOTING FOR TL-3 SYSTEM**



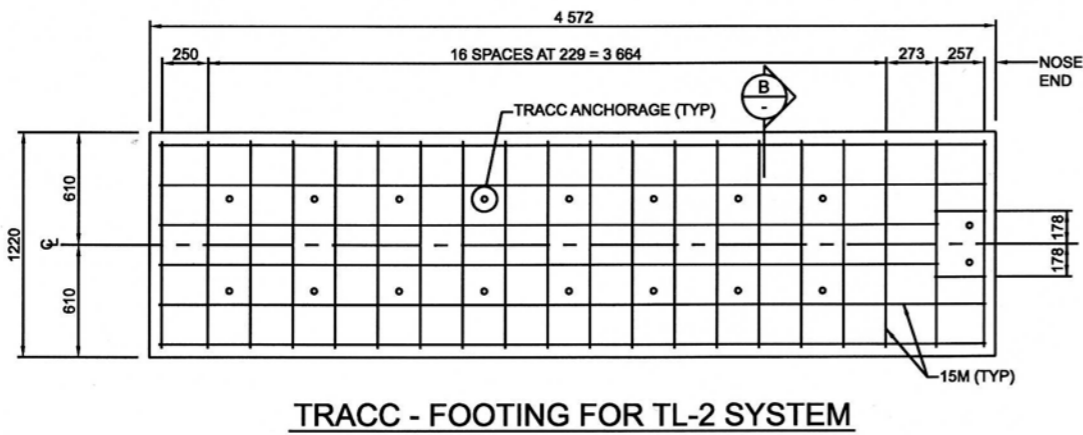
**QUADGUARD - FOOTING FOR TL-2 SYSTEM**



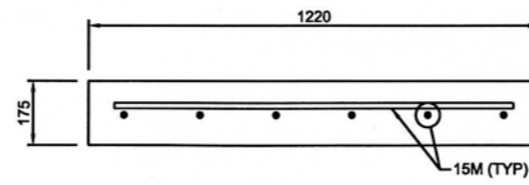
**SECTION A**



**TRACC - FOOTING FOR TL-3 SYSTEM**



**TRACC - FOOTING FOR TL-2 SYSTEM**



**SECTION B**

**NOTES:**

1. THIS DRAWING IS APPLICABLE FOR PERMANENT APPLICATIONS OF QUADGUARD AND TRACC SYSTEMS. FOR TEMPORARY APPLICATIONS, ALTERNATE FOUNDATIONS MAY BE USED AS RECOMMENDED BY THE MANUFACTURER, PROVIDED THAT THE INSTALLED SYSTEM MAINTAINS COMPLIANCE WITH NCHRP REPORT 350 FOR TEST LEVEL 3 (TL-3).
2. CONCRETE FOOTINGS SHALL BE PLACED ON WELL COMPACTED GRANULAR BASE TO 95% STANDARD PROCTOR MAXIMUM DRY DENSITY.
3. CONCRETE SHALL BE MODIFIED CLASS C (MINIMUM 28-DAY COMPRESSIVE STRENGTH OF 35 MPa).
4. SUPPLY AND INSTALLATION OF CONCRETE AND REINFORCING STEEL AS PER THE CONTRACT SPECIFICATIONS.
5. CONCRETE REINFORCING STEEL SHALL BE EPOXY COATED.
6. PROVIDE 75 END COVER AND 75 BOTTOM COVER FOR ALL CONCRETE REINFORCEMENT.
7. REFER TO THE MANUFACTURER'S INSTALLATION INSTRUCTIONS FOR ANCHORAGE DETAILS.

▲			
▲			
No.	REVISIONS	BY	DATE

Approved:  
  
 Executive Director,  
 Technical Standards Branch  
 Date: NOVEMBER, 2007



**QUADGUARD AND TRACC  
 CRASH CUSHION SYSTEMS  
 CONCRETE PAD FOUNDATION**

Prepared By: AK	Checked By: WS	Scale: N.T.S.	Dwg No.: RDG-B6.11
-----------------	----------------	---------------	--------------------

ALL DIMENSIONS ARE IN MILLIMETRES UNLESS OTHERWISE INDICATED.