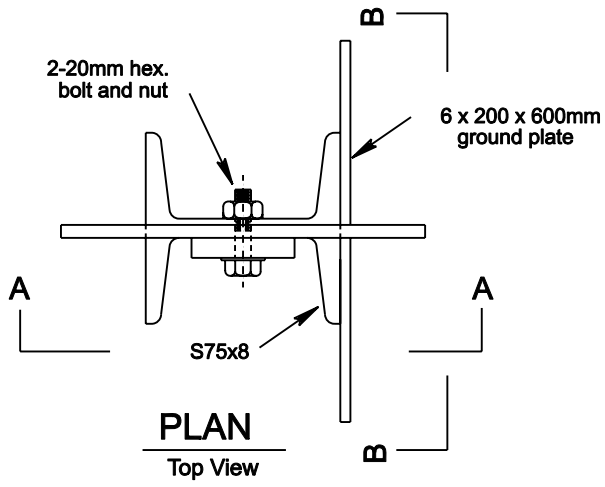


SECTION A-A

SECTION B-B



PLAN
Top View

All dimensions are in millimetres unless otherwise indicated.

Alberta TRANSPORTATION AND UTILITIES Traffic Engineering Section Roadway Engineering Branch	DWG. No.	TEB 3.24
	Date	DEC. 21/92
	Revision	June 95
	Revision	

**MEDIAN BOX BEAM GUARDRAIL
POST DETAIL**