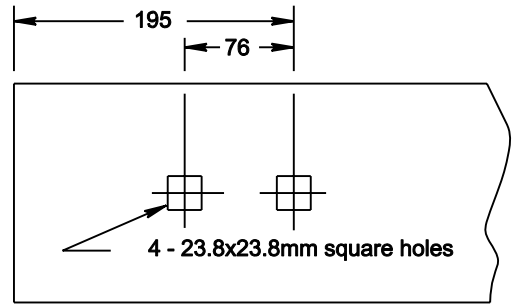
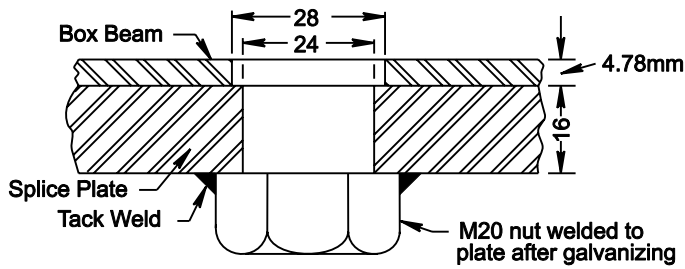


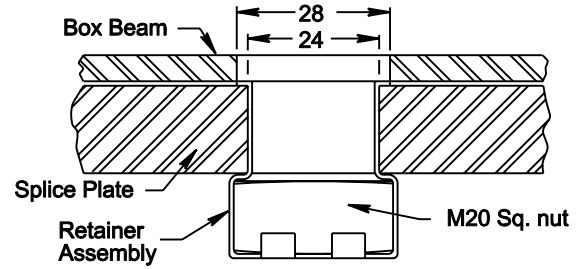
**SPLICE PLATE
FOR TACK WELDING**



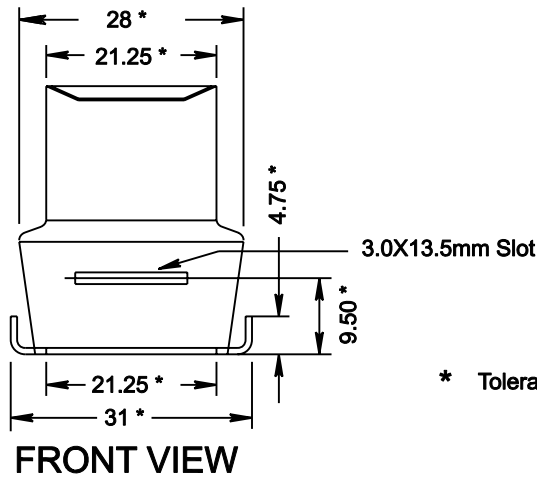
**SPLICE PLATE
FOR RETAINER ASSEMBLY**



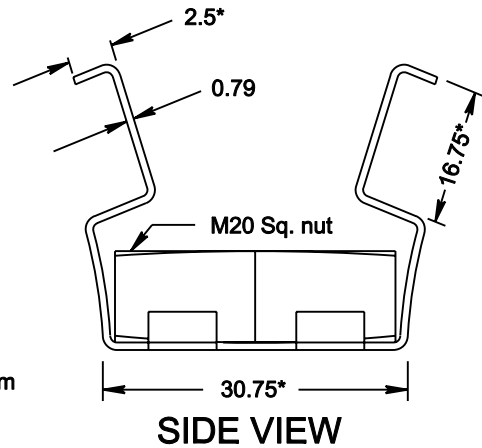
**NUT TACK WELDED
TO SPLICE PLATE**



**NUT CLIPPED
TO SPLICE PLATE**



FRONT VIEW



SIDE VIEW

* Tolerance $\pm 0.24\text{mm}$

RETAINER ASSEMBLY DETAIL

	DWG. No.	TEB 3.28A
	Date	DEC 20/92
	Revision	
	Revision	

**MEDIAN BOX BEAM GUARDRAIL
RETAINER ASSEMBLY AND
TRACK WELDING DETAILS**