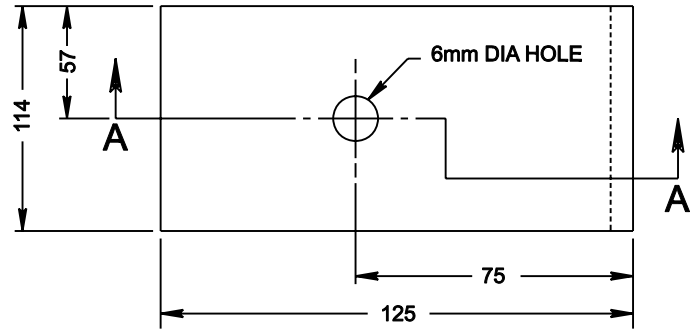
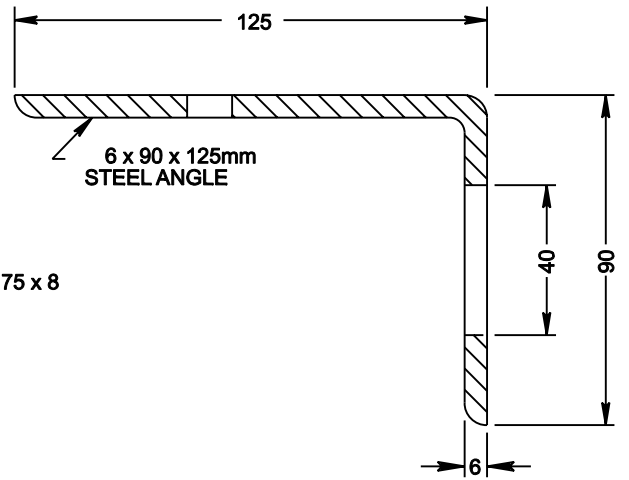
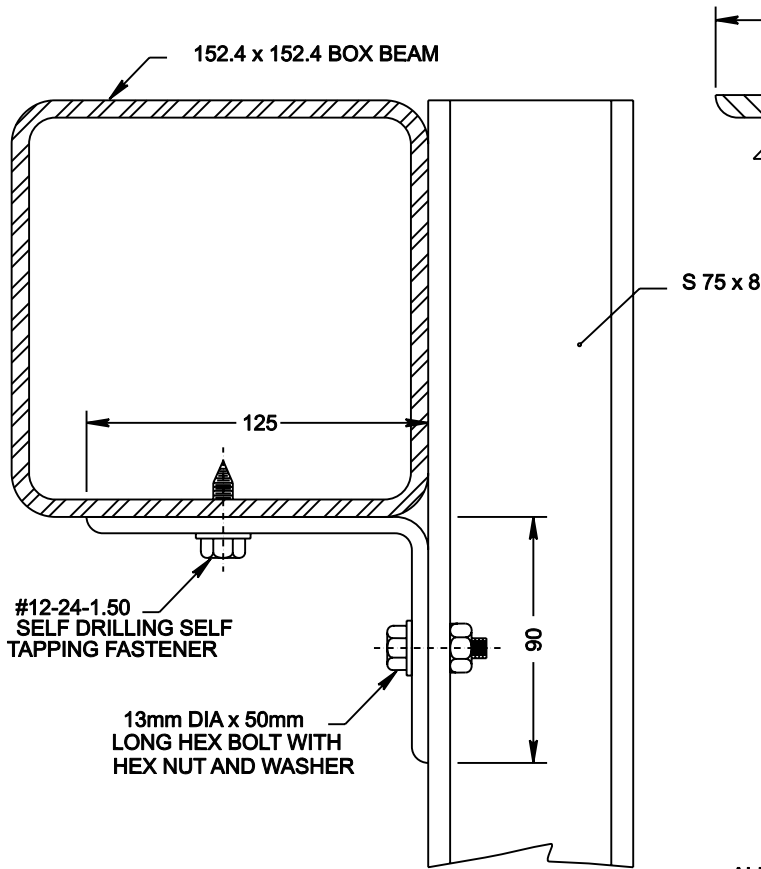


ELEVATION



PLAN



SECTION A-A

ALL DIMENSIONS ARE IN MILLIMETRES UNLESS OTHERWISE INDICATED.

	DWG. No.	TEB 3.34
	Date	DEC. 29/92
	Revision	
	Revision	

STANDARD BOX BEAM GUARDRAIL BRACKET ASSEMBLY DETAIL