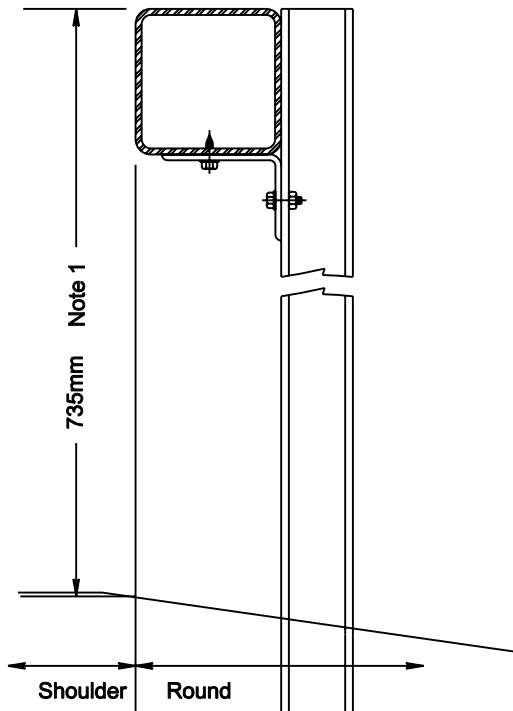
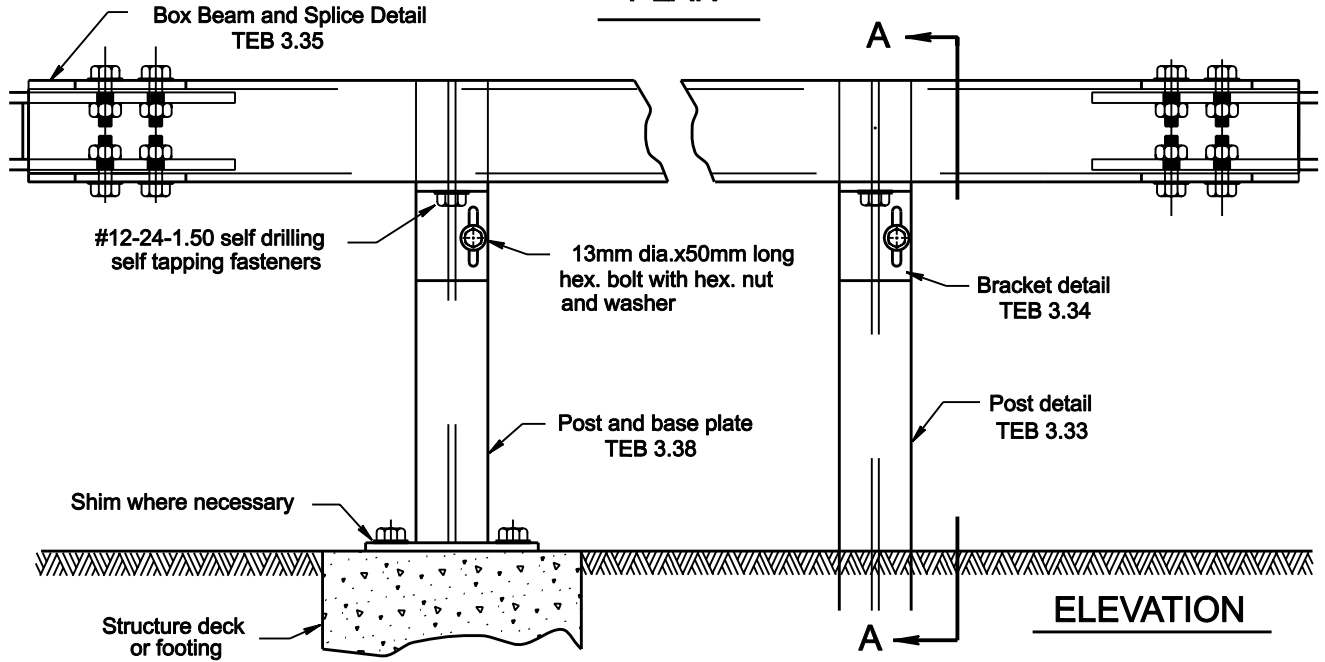


PLAN



SECTION A - A

NOTE:
ALL DIMENSIONS SHOWN ARE IN MILLIMETRES
UNLESS OTHERWISE NOTED.

Alberta TRANSPORTATION AND UTILITIES Traffic Operations Branch	DWG. No.	TEB 3.39
	Date	DEC. 20/92
	Revision	
	Revision	

STANDARD BOX BEAM GUARDRAIL
 ASSEMBLY DETAIL FOR
 0.915m AND 1.83m POST SPACING