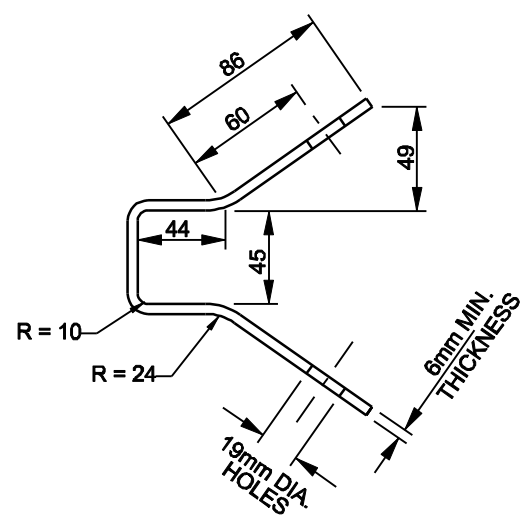
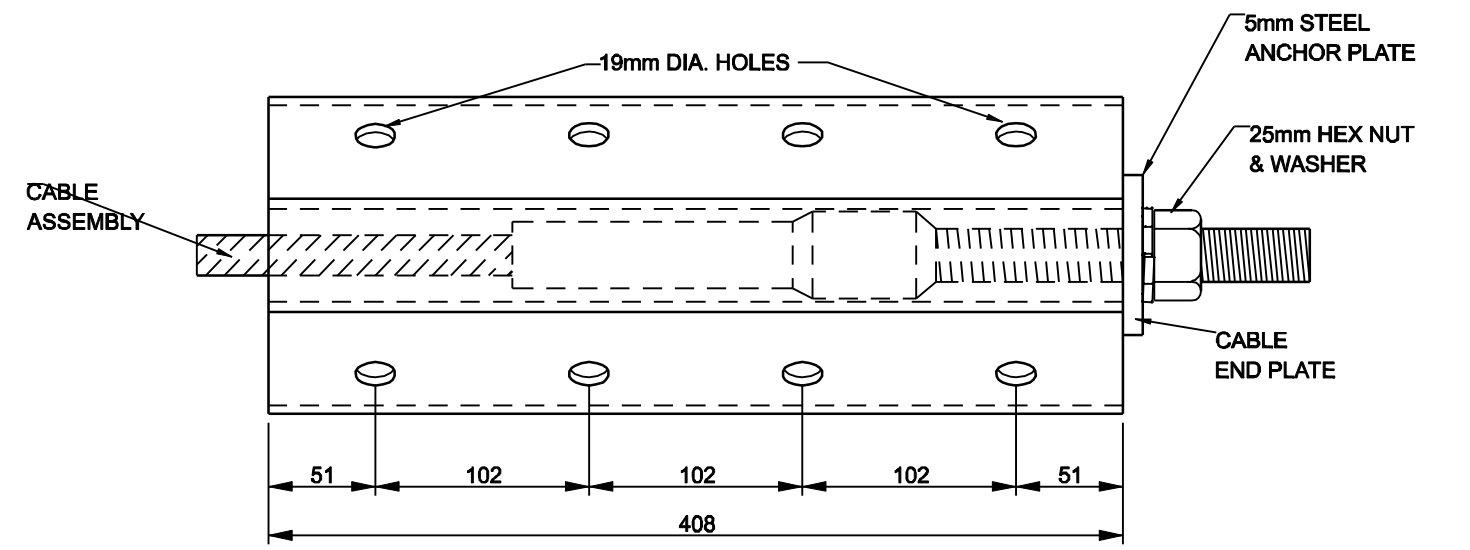


DETAIL 'B'



END VIEW



DETAILS OF STANDARD CABLE ANCHOR PLATE

NOTE:
ALL DIMENSIONS SHOWN ARE IN MILLIMETRES UNLESS OTHERWISE NOTED.

△			
△	TITLE REVISED	B.K	18 JUN 07
No.	REVISIONS	BY	DATE

Approved:
Original signed by
Allan Kwan
Executive Director,
Technical Standards Branch
Date: JUNE 24, 2005
Effective Date: JULY 12, 2005



**BULLNOSE GUARDRAIL SYSTEM
CABLE ANCHOR
SHEET 3 of 9**

Prepared By: M.T	Checked By: B.K	Scale: N.T.S.	Dwg No.: TEB 3.60-3
------------------	-----------------	---------------	---------------------