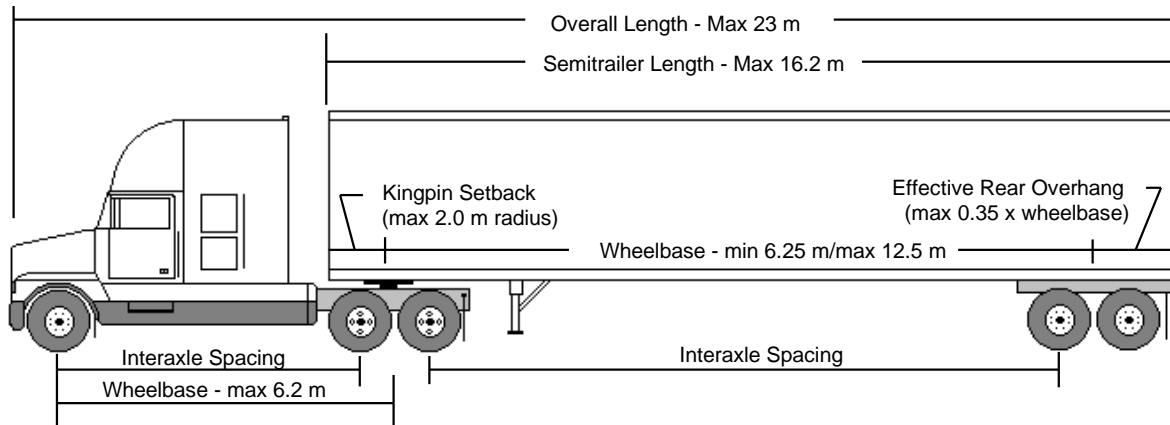
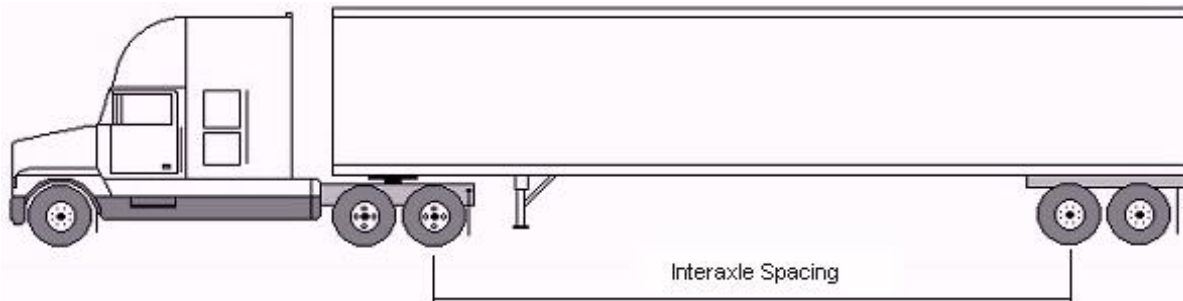


## Part 1 - Dimension Limits



DIMENSION	LIMIT
<b>Overall Length</b>	Maximum 23 m
<b>Overall Width</b>	Maximum 2.6 m
<b>Overall Height</b>	Maximum 4.15 m
<b>Tractor:</b>	
Wheelbase	Maximum 6.2 m
Tandem Axle Spread	Minimum 1.2 m/Maximum 1.85 m
<b>Semi-trailer</b>	
Length	Maximum 16.2 m
Wheelbase	Minimum 6.25 m/Maximum 12.5 m
Kingpin Setback	Maximum 2.0 m radius
Effective Rear Overhang	Maximum 35% of wheelbase
Tandem Axle Spread	Minimum 1.2 m/Maximum 1.85 m
Tridem Axle Spread	Minimum 2.4 m/Maximum 3.7 m
Track Width	Minimum 2.5 m/Maximum 2.6 m
<b>Interaxle Spacings</b>	
Single Axle to Single, Tandem or Tridem Axle	Minimum 3.0 m
Tandem Axle to Tandem Axle	Minimum 5.0 m
Tandem Axle to Tridem Axle	Minimum 5.5 m

## Part 2 - Weight Limits



WEIGHT	LIMIT
<b>Axle Weights:***</b>	
<b>Steering Axle</b>	Maximum 6000 kg
<b>Single Axle</b>	
Single tires	Maximum 7300 kg
Super single tires	Maximum 7700 kg *
Dual tires	Maximum 9100 kg
<b>Tandem Axle:</b>	
Single tires	Maximum 13,600 kg
Super single tires	Maximum 15,400 kg *
Dual tires	Maximum 17,000 kg
<b>Tridem Axle:</b>	
Single and super single tires	Maximum 19,000 kg **
Dual tires with axle spread from 2.4 m to less than 3.0 m	Maximum 21,000 kg **
Dual tires with axle spread from 3.0 m to 3.7 m	Maximum 24,000 kg **
<b>Gross Vehicle Weight Limits</b>	
See Weight Calculator	Cannot exceed the sum of the maximum legal axle weights and is subject to minimum interaxle spacing.

\* Super single tires require "New Generation, Wide Base" tires with a minimum tire width of 445 mm. Available by permit only. Super single tires do not apply to the steering axle.

\*\* These weights for tridem axles apply to provincial highways only. The maximum weight for a tridem axle on a municipal road is 17,000 kg. Permits may be available to achieve heavier weights.

\*\*\* All axle weights are subject to minimum tire size. The maximum weight per tire shall not exceed the lesser of the tire manufacturer's weight rating or the width of the tire stamped on the sidewall multiplied by 10 kg/mm.