

MICROFILM DATE

PWSS PLAN No.

DRAWING No.

CENTER CODE No.

PROJECT FILE No.

LEGEND

- SP1 STANDPIPE PIEZOMETER (1985)
- SI1 SLOPE INCLINOMETER (1985)

NOTES

1. PHOTOS TAKEN AUG. 13, 2007
2. SURVEY PERFORMED BY CHALLENGER GEOMATICS LTD. ON SEPT. 14, 2004.
3. INSTRUMENTATION INSTALLED JULY 1985.

PERMIT	SEAL	<table border="1"> <tr><td>F</td><td></td><td></td><td></td></tr> <tr><td>E</td><td></td><td></td><td></td></tr> <tr><td>D</td><td></td><td></td><td></td></tr> <tr><td>C</td><td></td><td></td><td></td></tr> <tr><td>B</td><td></td><td></td><td></td></tr> <tr><td>A</td><td></td><td></td><td></td></tr> <tr> <th>MARK</th> <th>DESCRIPTION OF REVISIONS</th> <th>DATE</th> <th>DWN.</th> <th>ENG.</th> </tr> </table>			F				E				D				C				B				A				MARK	DESCRIPTION OF REVISIONS	DATE	DWN.	ENG.	DESIGNED BY D.W.R. APPROVED BY D.W.R. DRAWN BY M.D. CHECKED BY D.W.R. SCALE 1:1000	CONSULTANT 		PROJECT CENTRAL REGION GEOHAZARD RISK ASSESSMENT TITLE SITE C24 H564 : 10 EXISTING CONDITIONS DATE AUGUST 2008 SHEET 1 of 5 DRAWING No. FIGURE 1 REV.
F																																					
E																																					
D																																					
C																																					
B																																					
A																																					
MARK	DESCRIPTION OF REVISIONS	DATE	DWN.	ENG.																																	

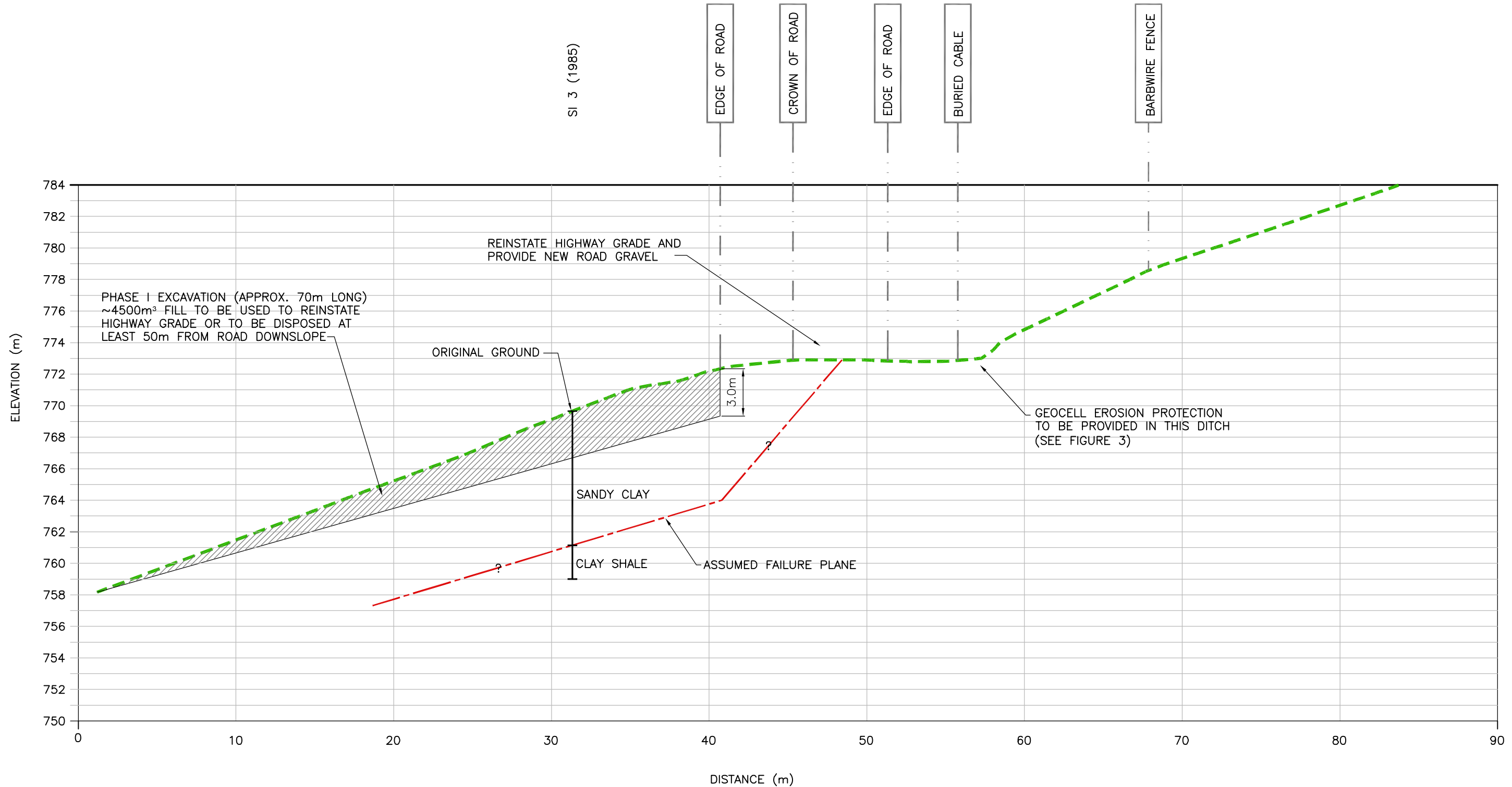
MICROFILM DATE

PWSS PLAN No.

DRAWING No.

CENTER CODE No.

PROJECT FILE No. A03038A06.C24.FIG-2.dwg



PERMIT	SEAL	Ⓕ				DESIGNED BY	APPROVED BY	CONSULTANT		PROJECT	CENTRAL REGION			
		Ⓖ				D.W.R.	D.W.R.			GEOHAZARD RISK ASSESSMENT				
		Ⓓ				DRAWN BY	CHECKED BY			TITLE	SITE C24 H564 : 10			
		Ⓒ				M.D.	D.W.R.			SECTION X-X				
		Ⓖ				SCALE	PHASE I EXCAVATION							
		MARK	DESCRIPTION OF REVISIONS	DATE	DWN.	ENG.				DATE	SHEET	DRAWING No.	REV.	
										AUGUST 2008	2 of 5	FIGURE 2		

MICROFILM DATE

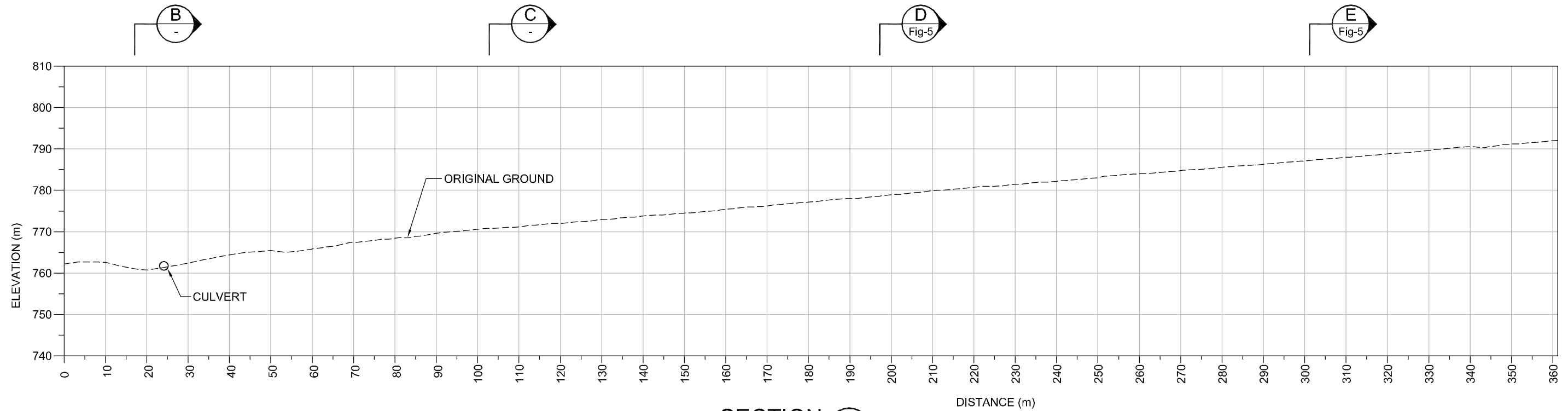
PWSS PLAN No.

DRAWING No.

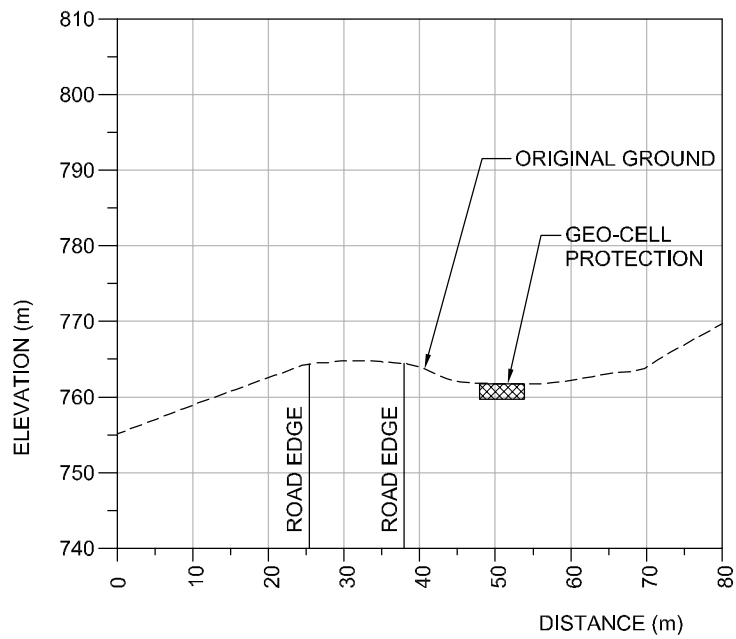
CENTER CODE No.

PROJECT FILE No.

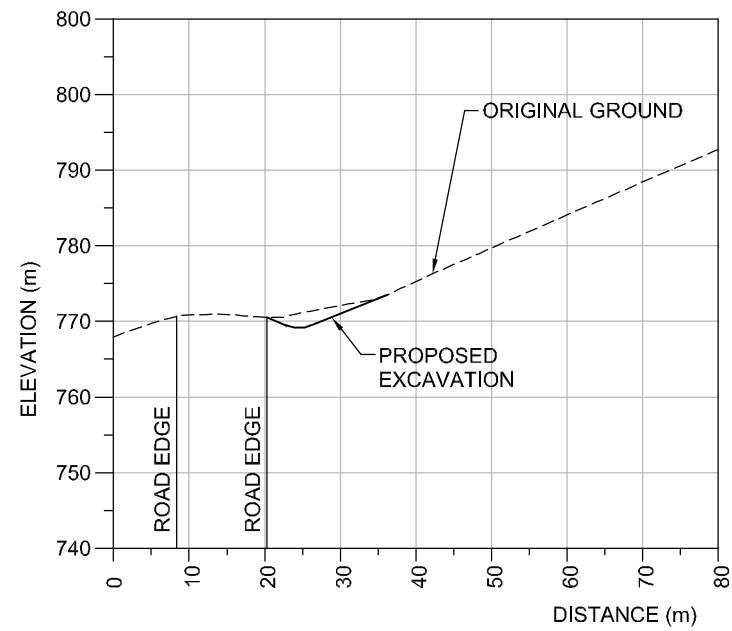
A03038A06.C24.FIG-3.dwg



SECTION A
SCALE 1:1000
Fig-3



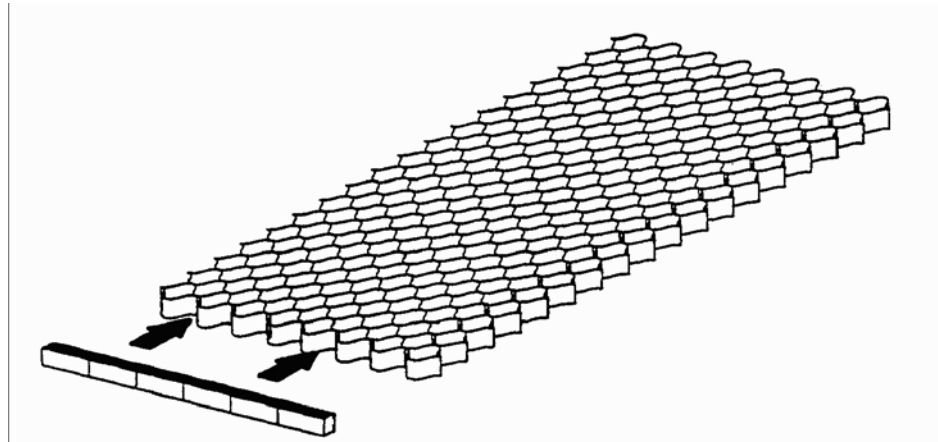
SECTION B
SCALE 1:1000
Fig-3



SECTION C
SCALE 1:1000
Fig-3

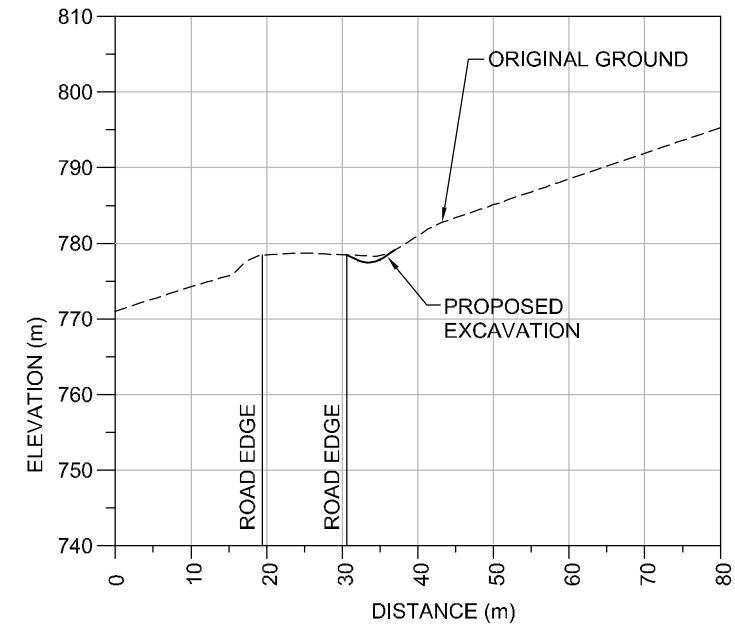
PERMIT	SEAL	Ⓐ				DESIGNED BY	APPROVED BY	CONSULTANT	PROJECT	CENTRAL REGION				
		Ⓑ				D.W.R.	D.W.R.		TITLE	GEOHAZARD RISK ASSESSMENT				
		Ⓒ				DRAWN BY	CHECKED BY				SITE C24 H564 : 10			
		Ⓓ				M.D.	D.W.R.				CROSS SECTIONS A, B & C			
		Ⓔ				SCALE	1:1000							
MARK	DESCRIPTION OF REVISIONS	DATE	DWN.	ENG.					DATE	SHEET	DRAWING No.	REV.		
									AUGUST 2008	4 of 5	FIGURE 4			

GEO-CELLS

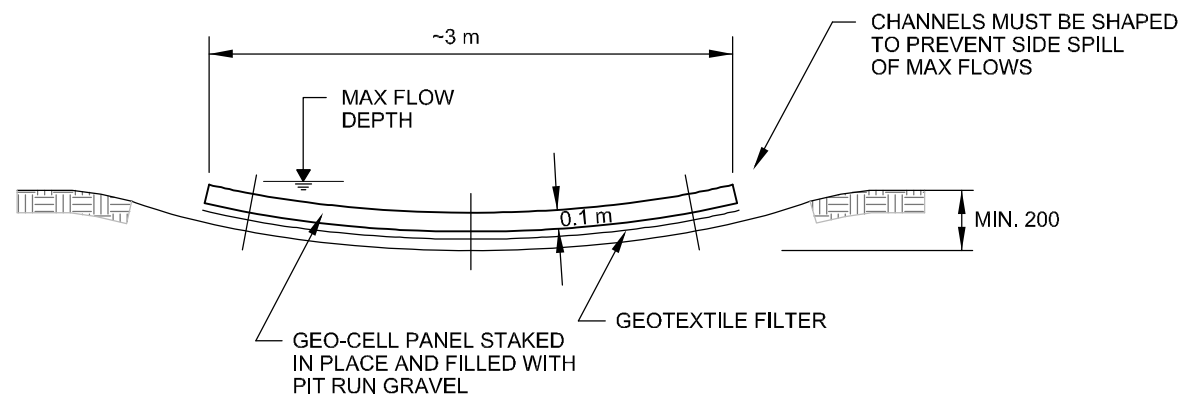


GeoCel expands from a compact 11 ft x 5 inch (3.4 m x 13 cm) to a fully expanded 8 x 20 ft (3.4 x 6.1 m) matrix.

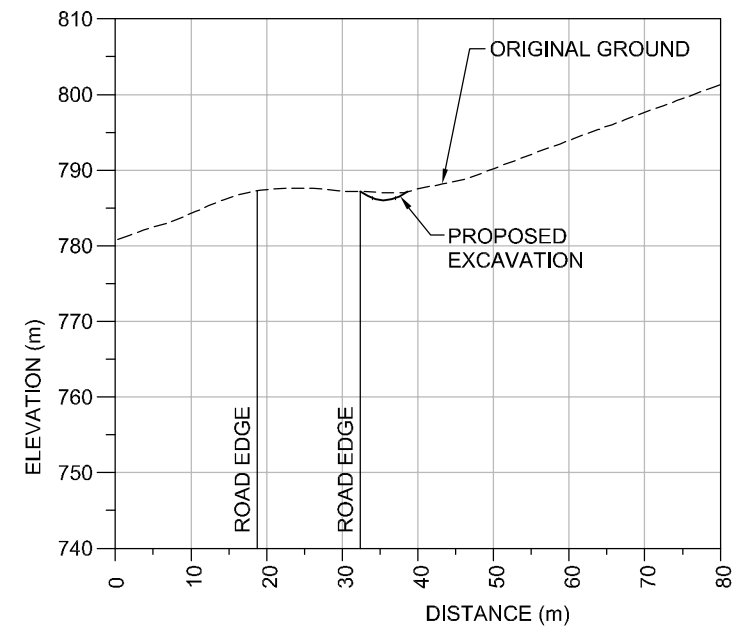
Installation hints: Prepare subgrade and utilize a nonwoven geotextile for separation if needed. Secure Geocel panels at one end with suitable J hooks, pounded into solid ground, prior to stretching the panel to its full dimension. Additional hooks or stakes should be placed at regular intervals to ensure that the panel retains its shape and finished size. Staked panels should be filled using a front end loader, gently sprinkling fill into the panel cells. Finish with hand rakes.



SECTION D
SCALE 1:1000 Fig-3



TYPICAL GEO-CELL CHANNEL SECTION
N.T.S.



SECTION E
SCALE 1:1000 Fig-3

PERMIT SEAL	(F)				DESIGNED BY D.W.R.	APPROVED BY D.W.R.	CONSULTANT 	PROJECT CENTRAL REGION GEOHAZARD RISK ASSESSMENT	
	(E)				DRAWN BY M.D.	CHECKED BY D.W.R.			
	(D)				SCALE 1:1000				TITLE SITE C24 H564 : 10 SECTIONS D & E + DETAILS
	(C)								
	(B)								
(A)									
	MARK	DESCRIPTION OF REVISIONS	DATE	DWN.	ENG.				