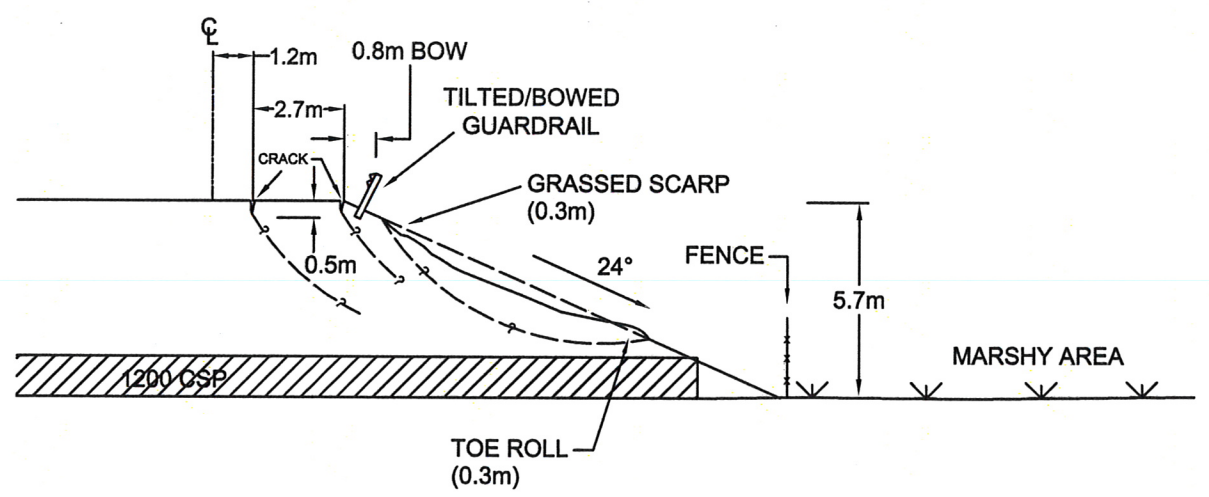
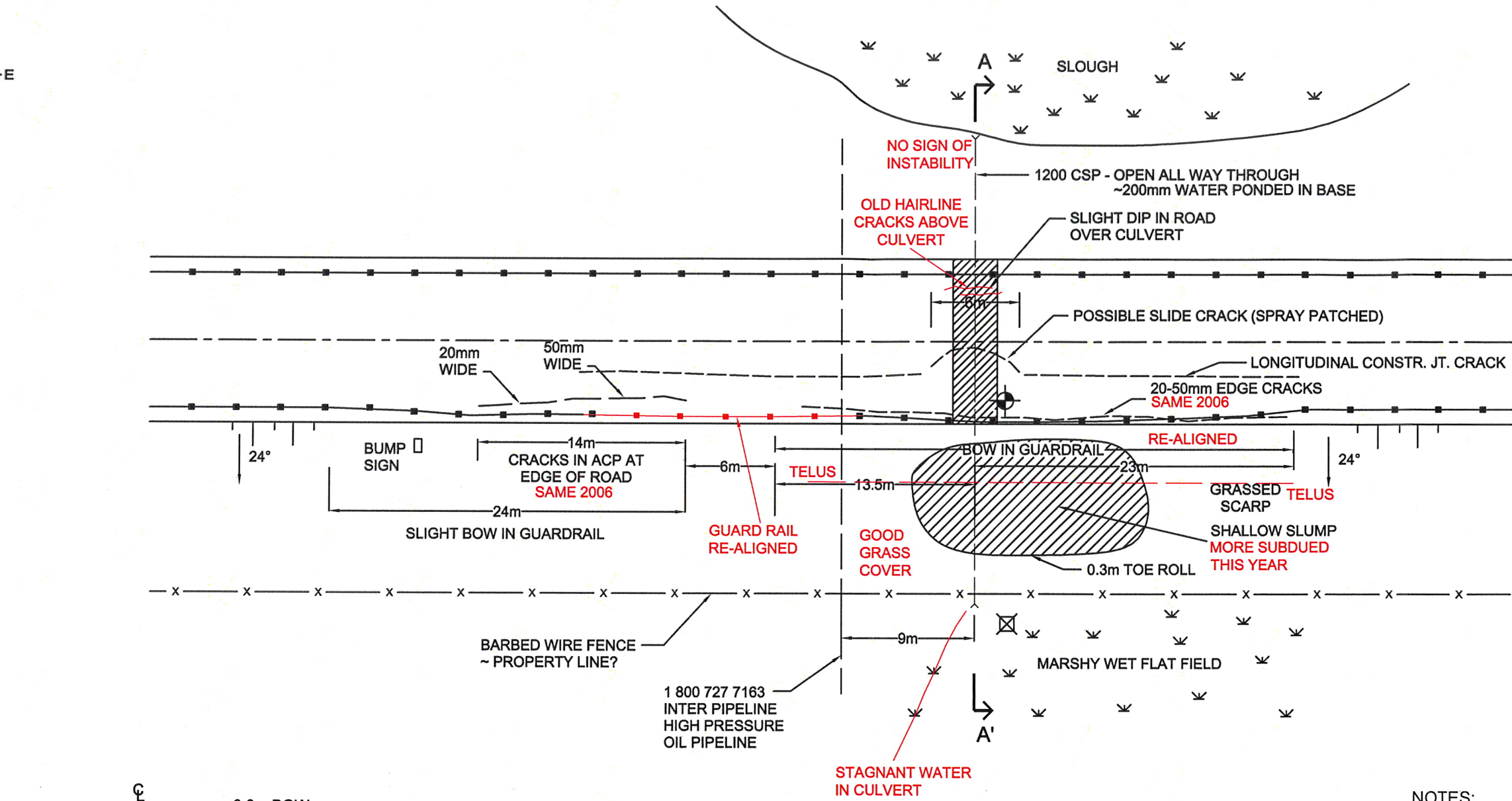
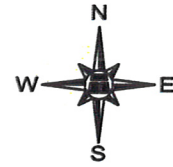


Z: 15 15-85-32 NC47 15-85-15-1.dwg-Dec. 07, 2006 2:52pm



- NOTES:**
1. FEATURE LOCATIONS ARE APPROXIMATE.
 2. PREVIOUS OBSERVATIONS SHOWN IN BLACK.
 3. JUNE 7, 2006 OBSERVATIONS SHOWN IN RED.

- LEGEND**
- ⊙ PROPOSED SLOPE INDICATOR 13m ~ 40'
 - ⊠ PROPOSED TEST PIT 4m

THURBER PROJECT #15-85-32

ALBERTA INFRASTRUCTURE & TRANSPORTATION

APPROXIMATE SITE PLAN AND SECTION

New Sarepta Access Road Slide
2 km East of Hwy 21

NEW SAREPTA, AB

THURBER ENGINEERING LTD.
GEOTECHNICAL • ENVIRONMENTAL • MATERIALS

ENGINEER: DWP	DRAWN: CMH	APPROVED:
DATE: JUNE, 2006	SCALE: NTS	DRAWING No. FIGURE NC47-1