

**APPENDIX H**

**DRAWING NUMBER**

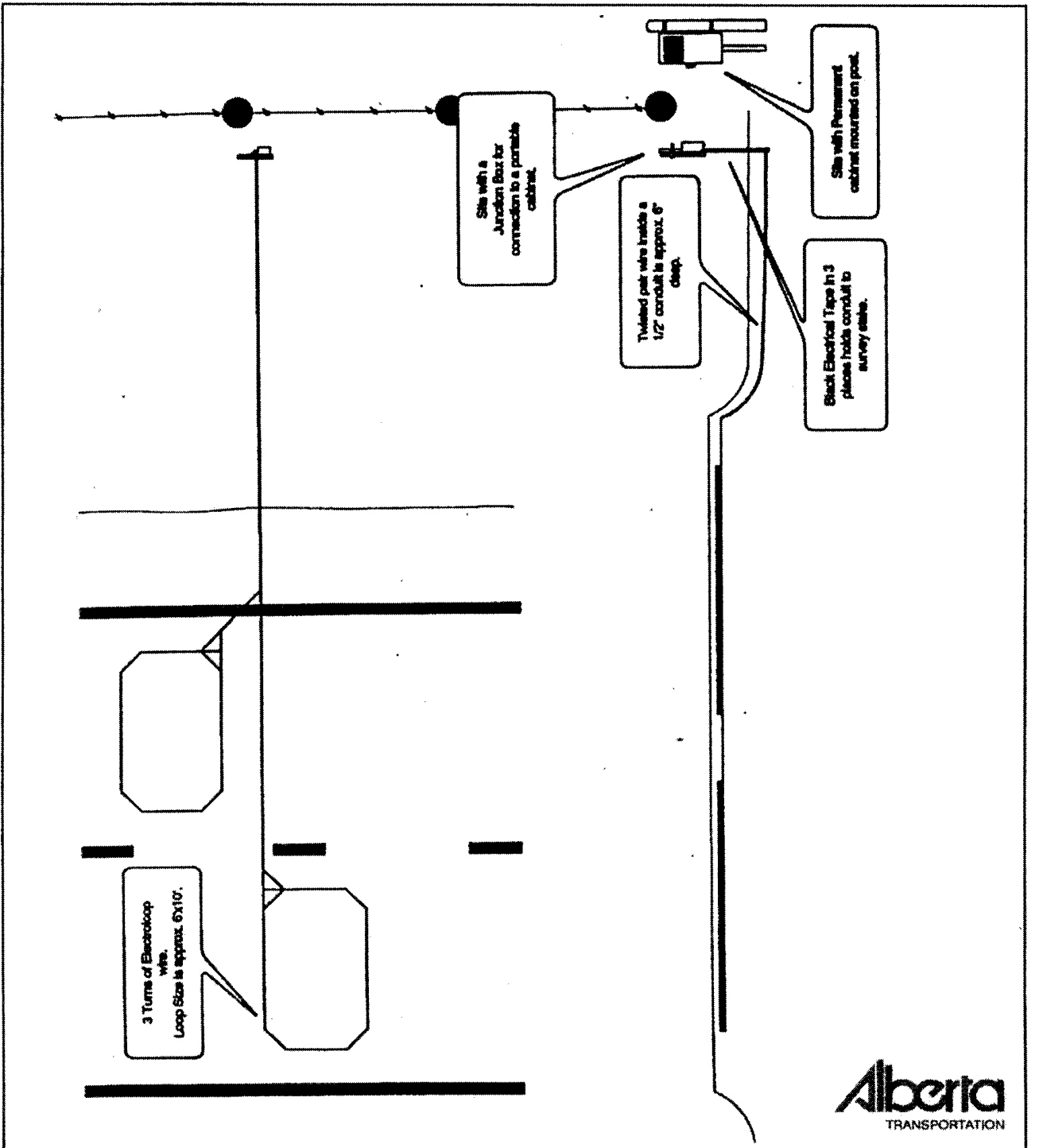
**TITLE**

1 LOOP2001 - 1.0	LOOP INSTALLATION SPECIFICATIONS
2 LOOP2001 - 2.0	GENERIC LOOP INSTALLATION
3 LOOP2001 - 2.1	LOOP LAYOUT 2-LANE
4 LOOP2001 - 2.2	LOOP LAYOUT 4-LANE DIVIDED
5 LOOP2001 - 2.3	LOOP LAYOUT 6-LANE DIVIDED
6 LOOP2001 - 3.0	LOOP DETAIL
7 LOOP2001 - 4.0	ATR CABINET
8 LOOP2001 - 4.1	ATR CABINET
9 LOOP2001 - 4.2	ATR CABINET
10 LOOP2001 - 4.3	ATR CABINET
11 LOOP2001 - 4.4	ATR CABINET
12 LOOP2001 - 5.0	ATR BOX
13 LOOP2001 - 5.1	ATR BOX (INSIDE)
14 LOOP2001 - 6.0	BURIED CABLE SIGN
15 LOOP2001 - 6.1	SIGN MOUNTING POST
16 LOOP2001 - 6.2	JUNCTION BOX
17 LOOP2001 - 7.0	LOOP CABLE WIRING
18 LOOP2001 - 7.1	TERMINAL STRIP PIN OUT IN ATR BOX
19 LOOP2001 - 8.0	MODEM CABLE WIRING
20 LOOP2001 - 9.0	VOLTAGE REGULATOR
21 LOOP2001 - 9.1	VOLTAGE REGULATOR
22 LOOP2001 - 9.2	VOLTAGE REGULATOR CONNECTION

The specifications listed are guidelines only  
 Alberta Transportation assumes no responsibility for the completeness or  
 the accuracy of the specifications contained in this document



<b>LOOP INSTALLATION SPECIFICATIONS</b>	<b>No.</b>	<b>Revision</b>	<b>Date</b>
	1		
	2		
	3		
<b>Date</b> 20010828	<b>Approved By</b> <i>[Signature]</i>	<b>Drawing Number</b> LOOP2001 - 1.0	4

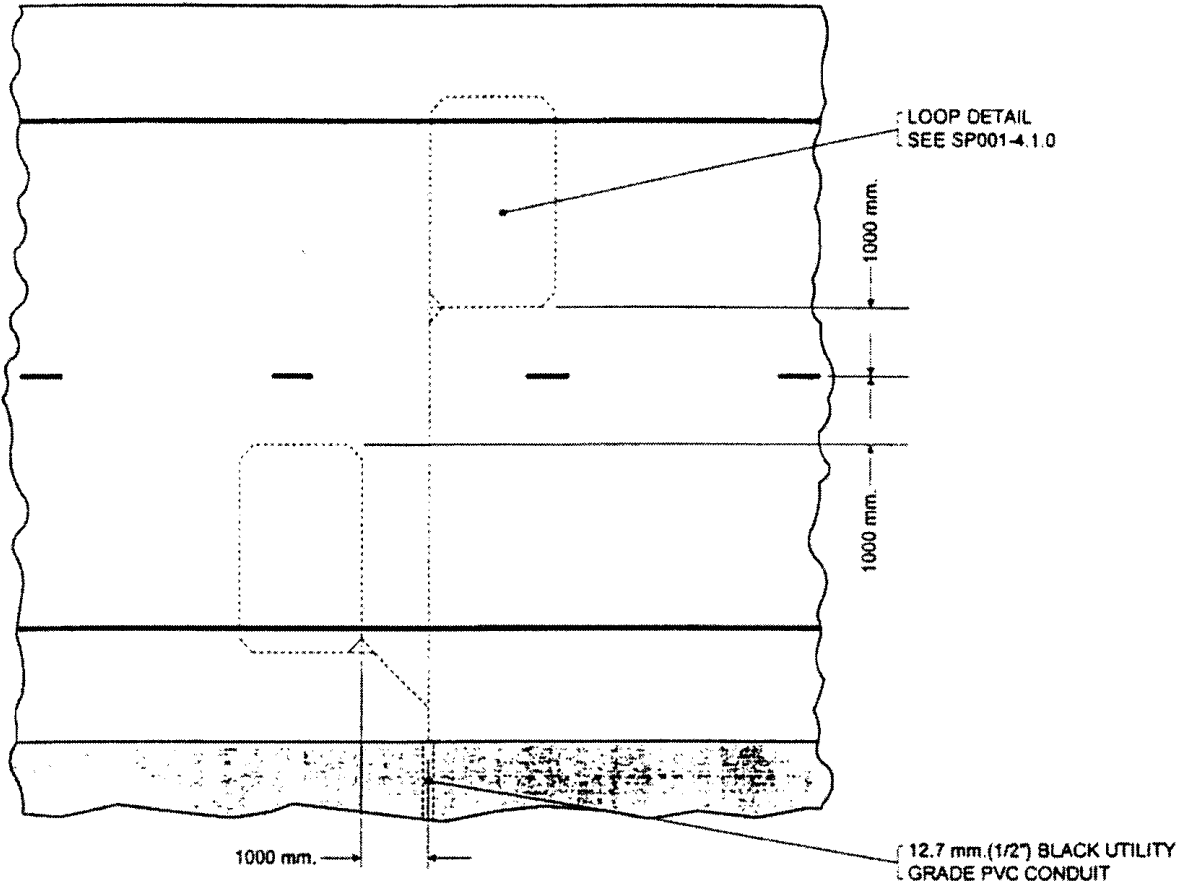


**GENERIC LOOP INSTALLATION**

No.	Revision	Date
1		
2		
3		
4		

Date 2001.08.27 Approved By [Signature]

Drawing Number  
LOOP2001 - 2.0

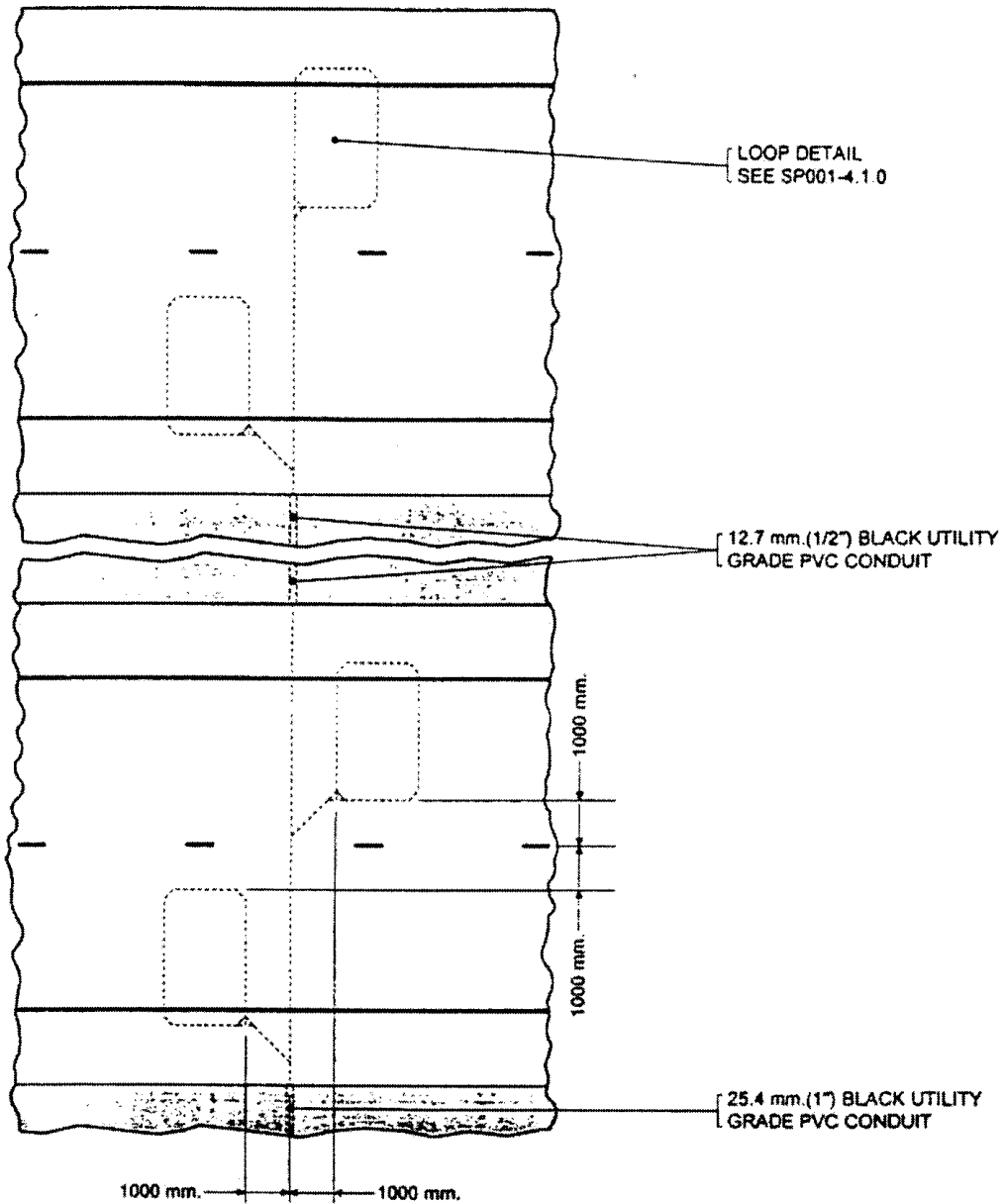


**LOOP LAYOUT 2-LANE**

No.	Revision	Date
1		
2		
3		
4		

Date: 2001-08-27  
 Approved By: [Signature]

Drawing Number: LOOP2001 - 2.1

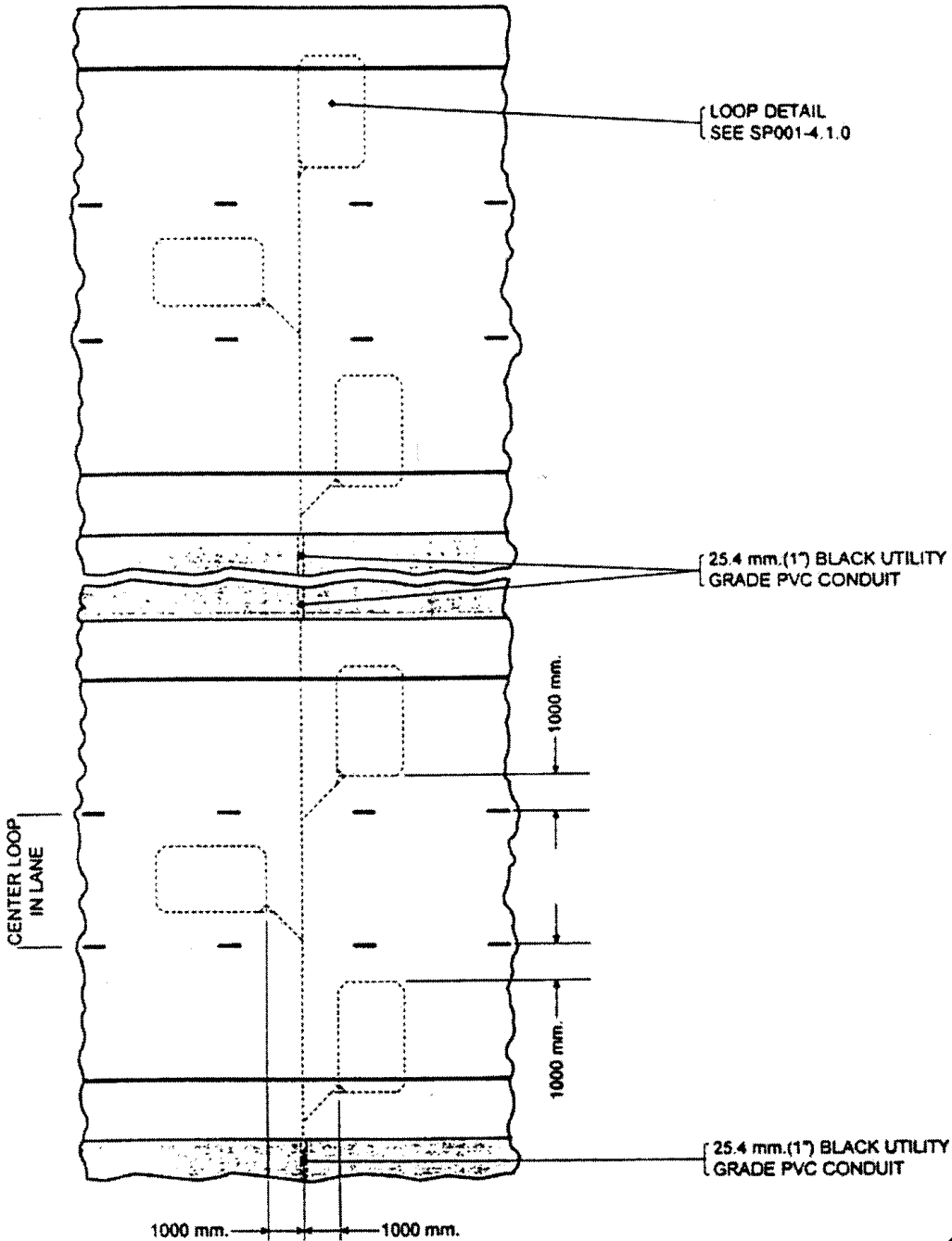


**LOOP LAYOUT 4 - LANE DIVIDED**

No.	Revision	Date
1		
2		
3		
4		

Date 2001 0827 Approved By *Rx 1651*

Drawing Number LOOP2001 - 2.2

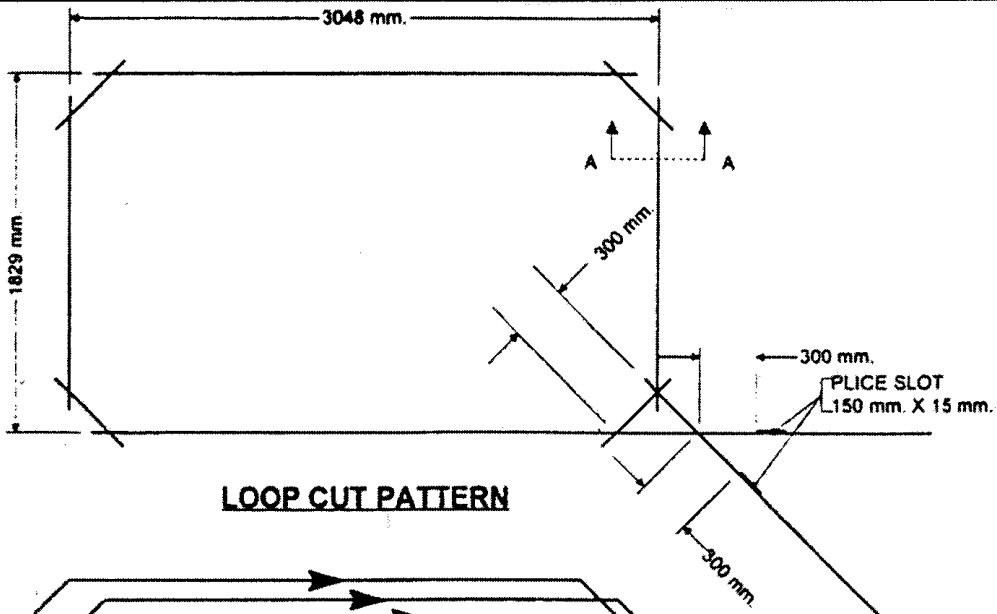


**LOOP LAYOUT 6 - LANE DIVIDED**

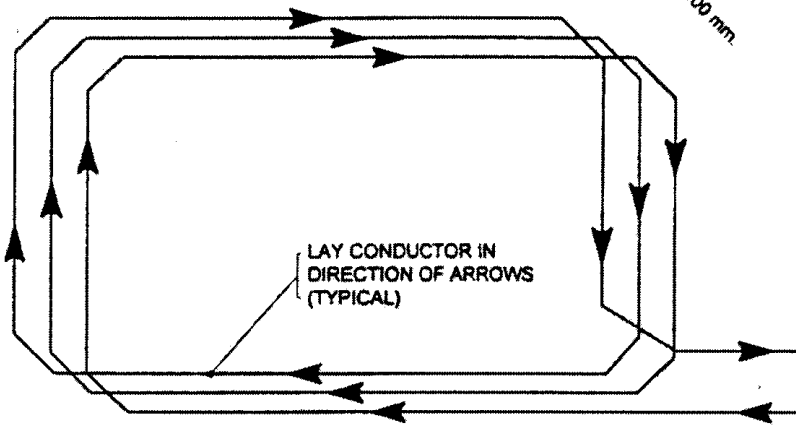
No.	Revision	Date
1		
2		
3		
4		

Date: 2001 08 27  
 Approved By: *[Signature]*

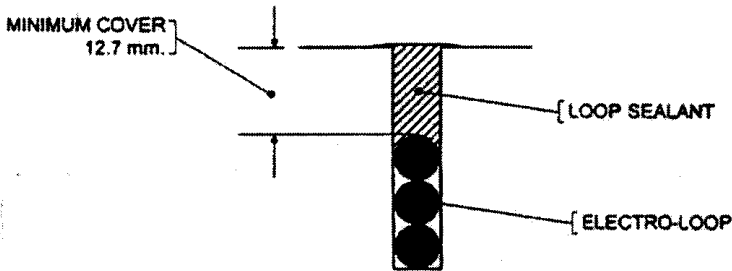
Drawing Number: LOOP2001 - 2.3



**LOOP CUT PATTERN**



**ELECTRO-LOOP LAYOUT**



**SECTION A-A**



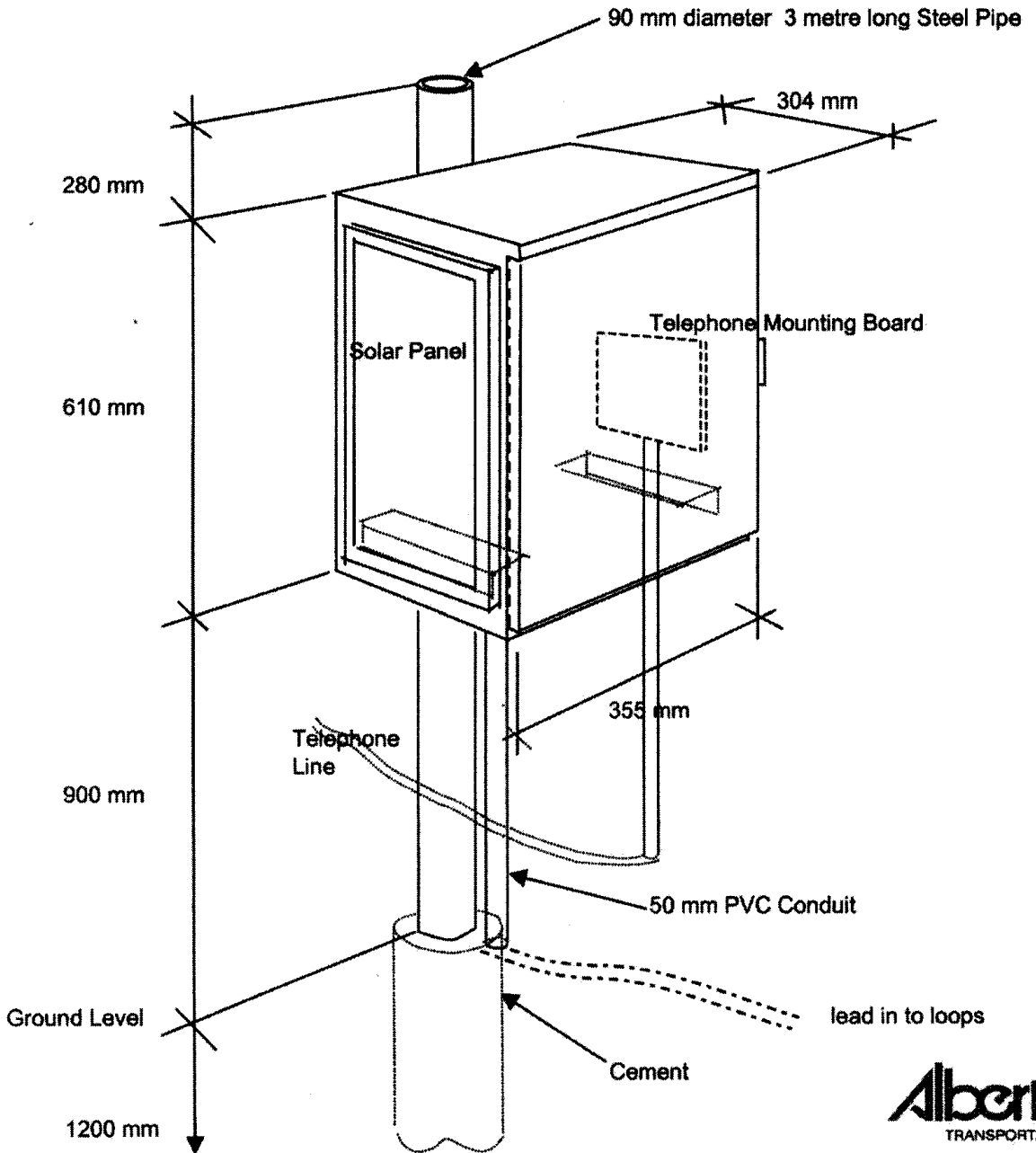
**LOOP DETAIL**

No.	Revision	Date
1		
2		
3		
4		

Date 2001.08.27 Approved By *[Signature]*

Drawing Number  
LOOP2001 - 3.0

# CABINET DIMENSIONS



## ATR CABINET

No.	Revision	Date
1		
2		
3		
4		

Date: 2001 08 28  
 Approved By: [Signature]

Drawing Number: LOOP2001 - 4.0

## CABINET DIMENSIONS

BOX	OUTSIDE	360 mm Wide (Cabinet Opening on this side) 283 mm Deep 616 mm High 2 mm Thick Steel Sheet
BOX	INSIDE	538 mm High 300 mm Wide 22 mm Rain Lip
LID		333 mm Deep 362 mm Wide 25 mm Rain Lip
DOOR		559 mm High 352 mm Wide 24 mm Rain Lip
HINGE PINS		546 mm Long 16 mm Wide Each 1/2 Hinge Located on Left Side of Cabinet Opening
LATCH	is located on the right side of the opening	279 mm hole location up from bottom on the rain lip 10 mm lock hole diameter (inside) 305 mm latch distance from cabinet bottom
BOLTS (2)		152 mm Distance from top of Cabinet 152 mm apart centered on left wall of cabinet 29 mm x 6 mm bolts
SHELF SUPPORTS (2)		25 mm Wide 25 mm High 273 mm Long 102 mm distance from bottom of cabinet
WEATHER STRIP		19 mm Wide 5 mm Deep

Weather Strip on the door (inside) lines up with the rainlip or opening of cabinet.  
All four edges of the door are to be weatherstripped with black foam rubber



ATR CABINET		No.	Revision	Date
		1		
		2		
Date	Approved By	3		
2001 08 28		4		
Drawing Number		LOOP2001 - 4.1		



## CABINET DIMENSIONS

### SHELF

346 mm Wide  
257 mm Deep  
13 mm Thick Plywood

### MOUNTING BOARD

254 mm Long  
254 mm Wide  
13 mm Thick Plywood

Centered holes 38 mm from top of board for two bolts, flat washer and nut

### TERMINAL STRIP 16 position or a 12 + 4 position

152 mm location from bottom of board  
two 229 mm x 19 mm diameter bolts (Robertson Head) per strip

### TELEPHONE JACK BOX

51 mm x 57 mm  
center mounted 51 mm from bottom of board with adhesive backing or  
two 229 mm x 13 mm diameter bolts (Robertson Head)

### TELUS MOUNTING BOARD located on bottom right outside of cabinet

254 mm High  
203 mm Wide  
19 mm Thick Plywood  
two 25 mm x 5 mm diameter bolts located 25 mm from each side centered

### HOLE FOR LOOP WIRES

64 mm dia. in center of cabinet bottom

### TELUS WIRE HOLE

19 mm diameter  
Located 64 mm from the back and 127 mm from the right side  
13 mm diameter flex coil shield is used through opening  
The flex coil is fastened to the cabinet with a threaded connector  
A locking ring is threaded on the inside of the cabinet

### SOLAR PANEL MX5 - 6 VOLT

located on door or left side 25 mm from top  
two 8 mm diameter bolt holes located 235 mm apart and 152 mm from top of cabinet centered  
two 25 mm x 8 mm diameter bolt, lock washer, washer, and nut  
the bolt heads are located in the channels of the solar panel  
6 mm diameter hole for solar panel wire is located 51 mm off centre of bolt holes



ATR CABINET		No.	Revision	Date
		1		
		2		
Date	Approved By	3		
2010828	<i>[Signature]</i>	4		
Drawing Number				
LOOP2001 - 4.2				

## CABINET DIMENSIONS

### STEEL PIPE

3000 mm High  
90 mm Diameter  
5 mm Thick Steel

### MOUNTING

1200 mm In Ground (Cemented in Place)  
1800 mm Above Ground

### CABINET LOCATION

900 mm Between Ground and Cabinet

### CABINET MOUNTS

64 mm from bottom of cabinet  
152 mm from top of cabinet  
two 10 mm diameter "U" bolts, with 4 washers, 4 lock washers and 4 nuts

### LOOP WIRES

come up through a 51 mm diameter, 991 mm long rigid PVC conduit  
The conduit is fastened to the cabinet with a threaded sleeve  
which is glued to the end of the PVC conduit and screwed in place  
with a locking ring on the inside of the cabinet

### WIRING

All wires running from the bottom of the cabinet to the mounting board are to be tie wrapped to a tie block in one group of wires to the back of the cabinet behind the shelf.

Tie blocks should be located every 150 mm to 200 mm

This also applies to the solar panel wire.

Excess wire should be kept to a minimum

The exception is loop wire where 900 mm to 1200 mm should be coiled below the shelf.

The wire running from the telephone jack should be 100 mm long and be 4 conductor telephone wire. The excess should be left outside the cabinet

The excess should be left outside the cabinet for TELUS to connect to.

All wires that mount to the terminal strip will have

8 mm terminal ends which are crimped and soldered



ATR CABINET		No.	Revision	Date
		1		
		2		
Date	Approved By	3		
20010828	<i>[Signature]</i>	4		
Drawing Number				
LOOP2001 - 4.3				



**ATR CABINET**

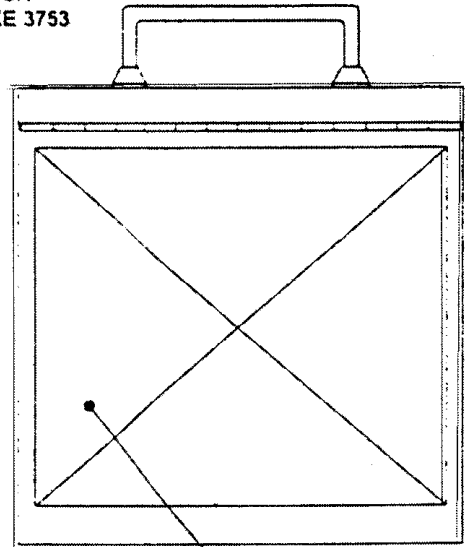
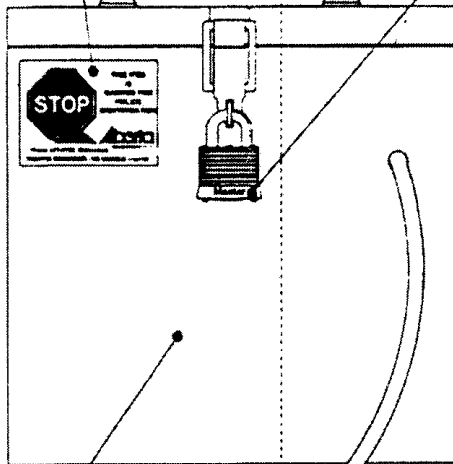
No.	Revision	Date
1	<i>[Signature]</i>	2004.10.19
2		
3		
4		

Date 2001 08 25 Approved By *[Signature]*

Drawing Number LOOP2001 -4.4

STOP THIEF STICKER

MASTER LOCK  
KEYED ALIKE 3753



EEMAC 3 "C" BOX  
12"X9"X12"

SOLAR PANEL  
MSX5-6V OR SIMILAR

AMP 206044-1  
AMP 206070-1  
SEE SP001-9.0.1 FOR WIRING

BACK VIEW

FRONT VIEW

**Notes:**

- 1. SECTION A-A, SEE SP001-6.0.1

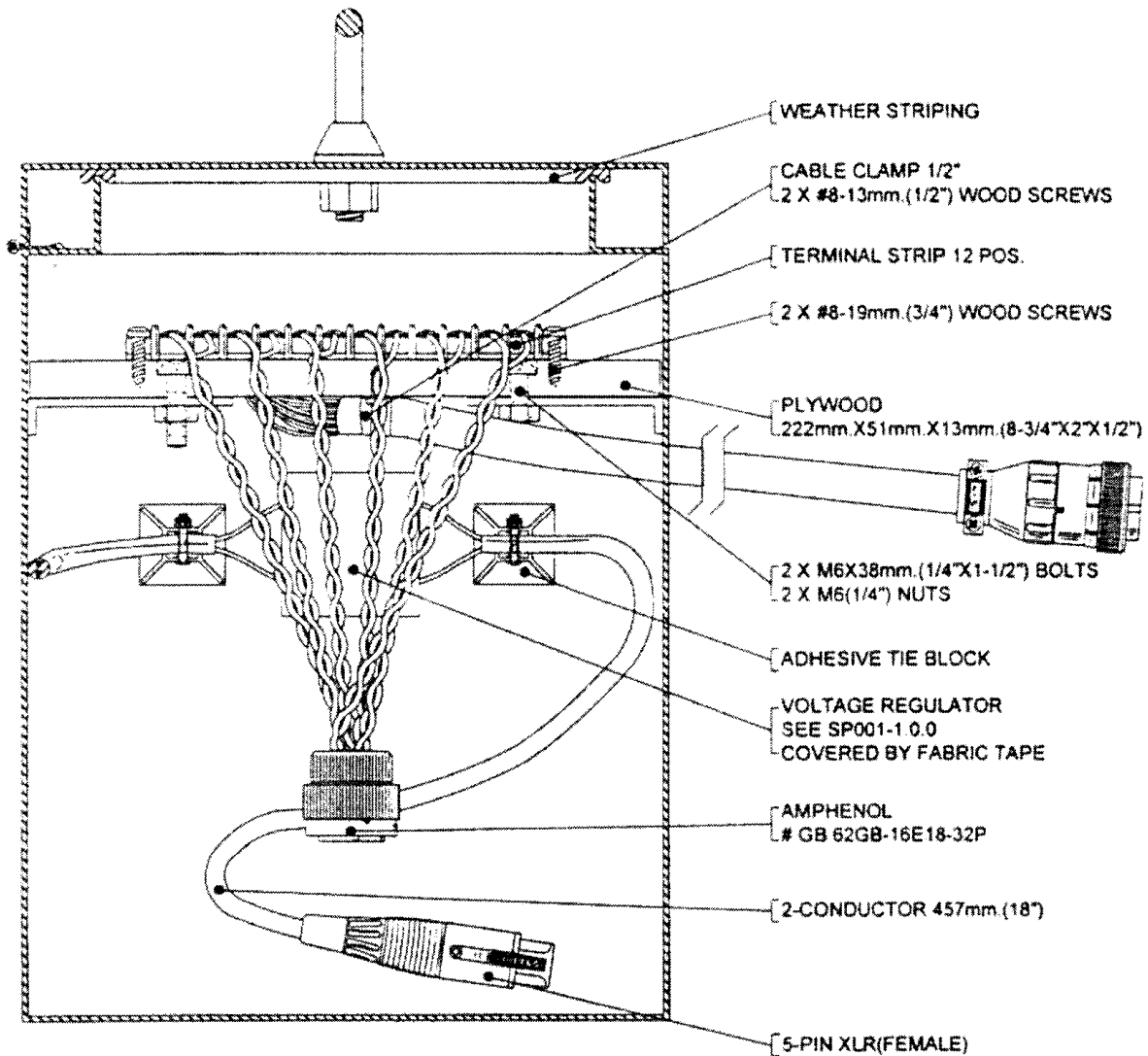


**ATR BOX**

No.	Revision	Date
1		
2		
3		
4		

Date 2001.08.27 Approved By *[Signature]*

Drawing Number LOOP2001 - 5.0



SECTION A-A

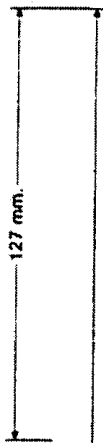
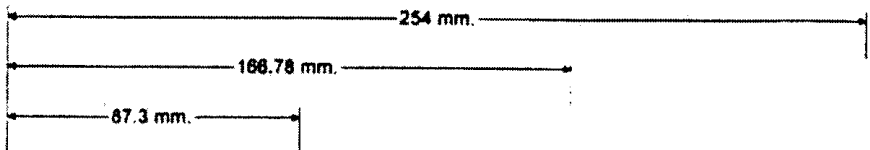
**Alberta**  
TRANSPORTATION

ATR BOX (INSIDE)

No.	Revision	Date
1		
2		
3		
4		

Date 2001.08.27 Approved By *[Signature]*

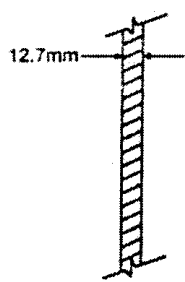
Drawing Number  
LOOP2001 - 5.1



RED  
250 mm.  
SERIES "E"

BLACK  
200 mm.  
SERIES "D"

BLACK  
125 mm.  
SERIES "C"



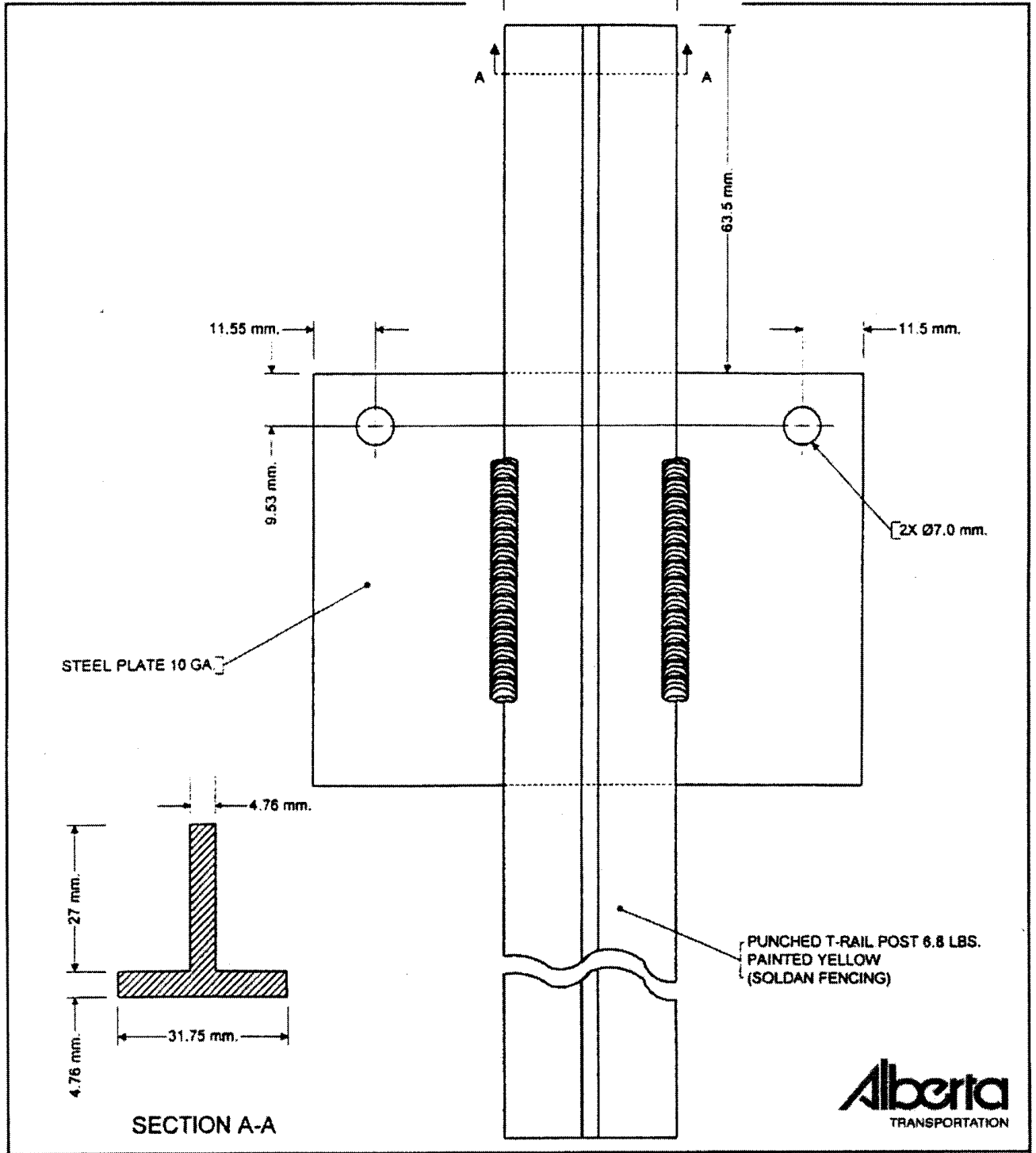
[BLACK] [YELLOW] [BLACK]

**Notes:**

1. ALL WRITING IN BLACK UNLESS OTHERWISE NOTED.



BURIED CABLE SIGN		No.	Revision	Date
Date	Approved By	1		
2006.08.27	<i>[Signature]</i>	2		
		3		
		4		
	Drawing Number	LOOP2001 - 6.0		



**SIGN MOUNTING POST**

No.	Revision	Date
1		
2		
3		
4		

Date *2001,0827* Approved By *[Signature]*

Drawing Number  
LOOP2001 - 6.1

SCEPTER JB442

AFFIX STOP THIEF STICKER

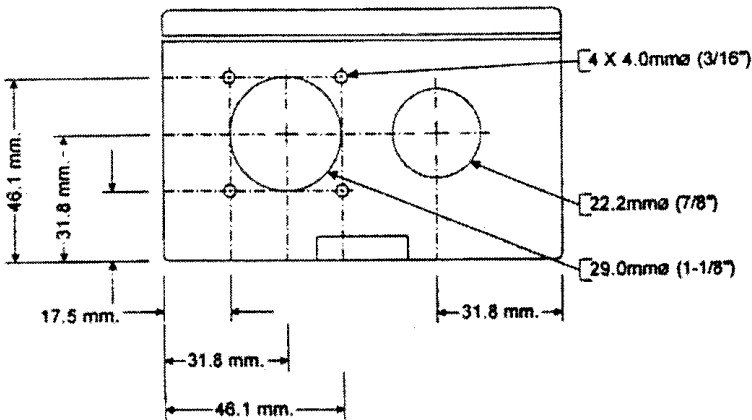
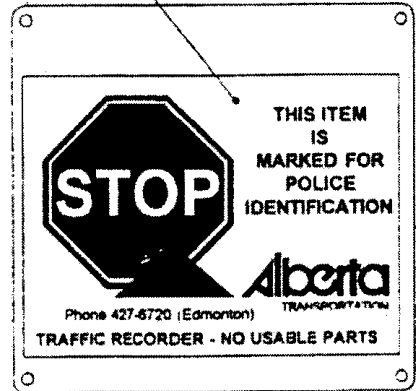
AMP 206043-1

AMP 208652-1

[ 2 X 1/2" CONDUIT WASHER

[ PVC 1/2" NIPPLE

[ 4 X 6/32X1/2" PAN HEAD  
[ 4 X 6-32" NUTS



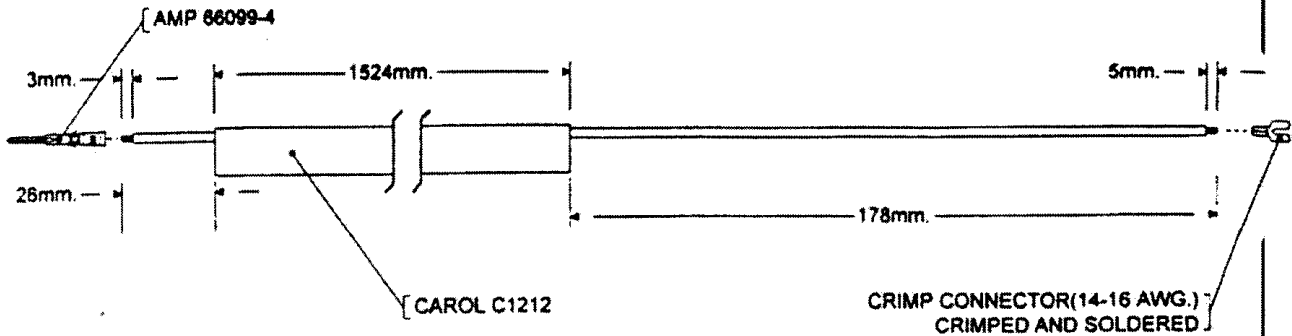
JUNCTION BOX (4x4x2)

No.	Revision	Date
1		
2		
3		
4		

Date 20010827 Approved By [Signature]

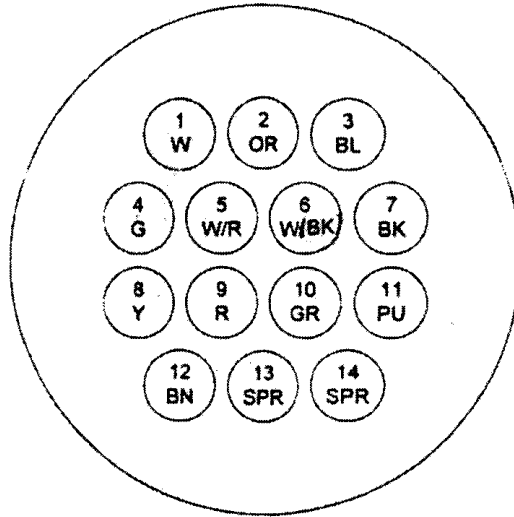
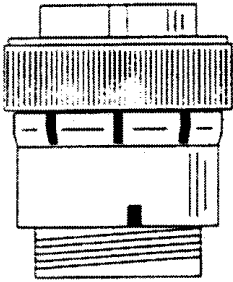
Drawing Number LOOP2001 - 6.2





AMP 206044-1

AMP 206044-1  
REAR VIEW



**Color Table**

G	- Green
R	- Red
W	- White
Y	- Yellow
BK	- Black
BL	- Blue
BN	- Brown
GR	- Grey
PU	- Purple
OR	- Orange

INPUT	PIN #
A	1,4
B	5,8
C	9,12
D	2,3
E	6,7
F	10,11

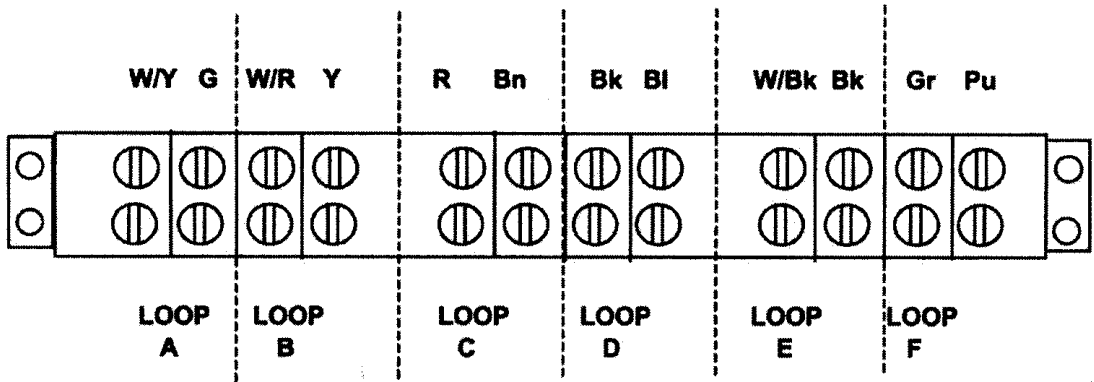


**LOOP CABLE WIRING**

No.	Revision	Date
1		
2		
3		
4		

Date 2001.08.27 Approved By *[Signature]*

Drawing Number LOOP2001 - 7.0

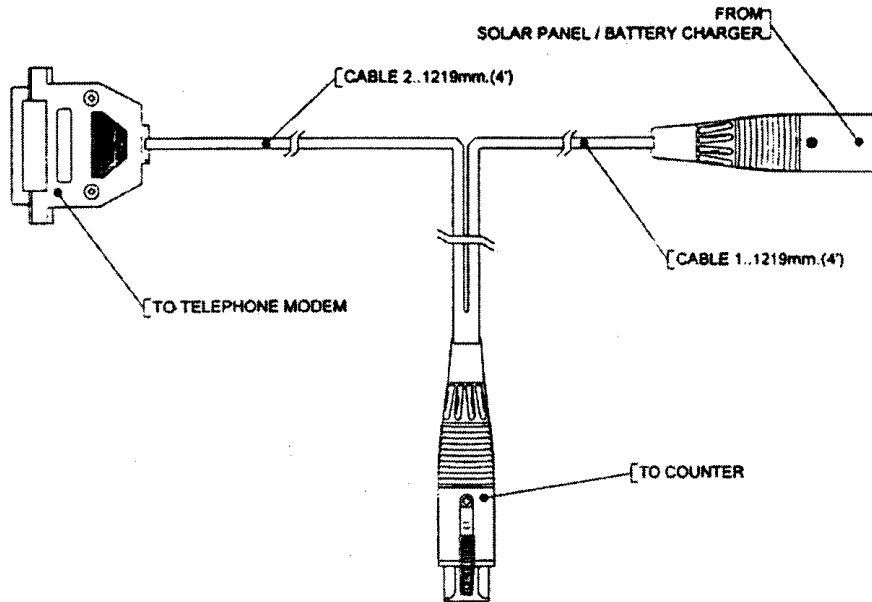


COLOUR TABLE	
G	Green
R	Red
W	White
Y	Yellow
Bk	Black
Bl	Blue
Bn	Brown
Gr	Grey
Pu	Purple
Or	Orange

The wires that go to the Golden River ATR need to be on the side of the terminal strip closest to the ATR. The pin out stays the same.



TERMINAL STRIP PINOUT IN ATR BOX		No.	Revision	Date
		1		
Date    Approved By 2001 08 27 <i>[Signature]</i>		2		
		3		
		4		
Drawing Number LOOP2001 - 7.1				



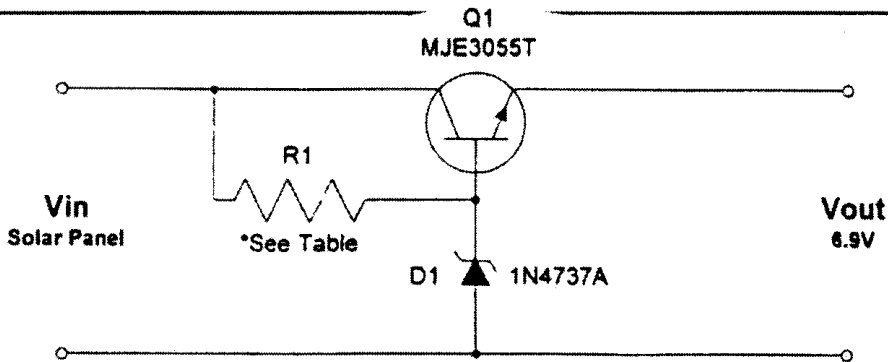
	CABLE 2	CABLE 1
MODEM 25-Pin (Female)	COUNTER 5-Pin XLR (Female)	CHARGER (6-Volt) 5-Pin XLR (Male)
1,7 - Green 2 - Black 3 - White 4,20 - Red	1 - Red <sup>②</sup> 2 - White <sup>②</sup> 3 - White <sup>①</sup> /Green <sup>②</sup> 4 - Black <sup>②</sup> 5 - Black <sup>①</sup> /Red <sup>②</sup>	1,2,4 - N.C. 3 - White ⊖ 4 - Black ⊕ -
1,7 - Green 2 - Blue 3 - Yellow 4,20 - Red	1 - Red <sup>②</sup> 2 - Yellow <sup>②</sup> 3 - White <sup>①</sup> /Green <sup>②</sup> 4 - Blue <sup>②</sup> 5 - Black /Red <sup>②</sup>	1,2,4 - N.C. 3 - White ⊖ 5 - Black ⊕

**Notes:**

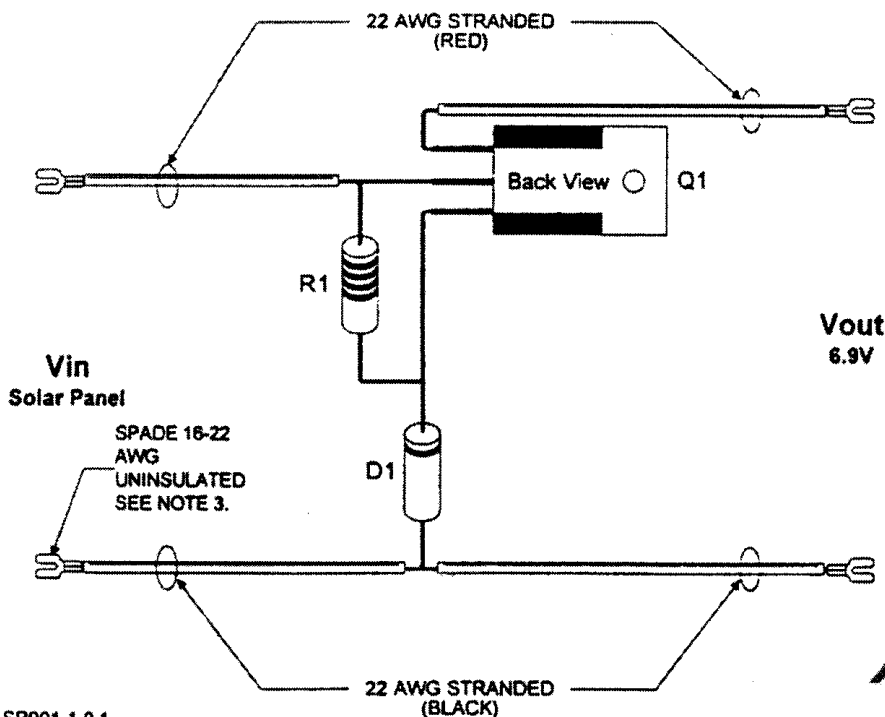
1. ① - INDICATES FROM CABLE 1.
2. ② - INDICATES FROM CABLE 2.



<b>MODEM CABLE WIRING</b>		No. Revision	Date
		1	
Date <u>2001 08 27</u> Approved By <u>[Signature]</u> Drawing Number <u>LOOP2001 - 8.0</u>		2	
		3	
		4	



*Resistor(R1) Selection	
Panel Voltage	R1
6V	120 Ohm, 1/2W
12V	560 Ohm, 1/2W



**Notes:**

REFER TO SP001-1.0.1



**VOLTAGE REGULATOR**

No.	Revision	Date
1		
2		
3		
4		

Date *2001.08.27* Approved By *[Signature]*

Drawing Number  
LOOP2001 - 9.0

**Notes:**

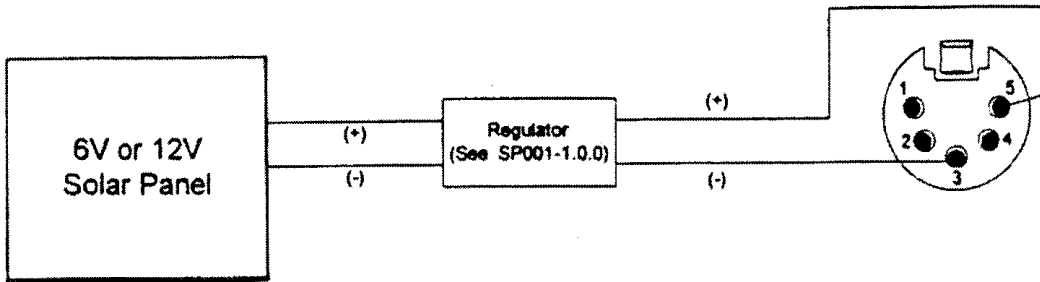
1. ALL CONNECTIONS TO BE SOLDERED.
2. REGULATOR SHALL BE SPRAYED WITH LACQUER TO PREVENT SHORTING AND CORROSION.
3. SPADES TO BE CRIMPED AND SOLDERED WHERE CALLED FOR IN APPLICATION, OTHERWISE CONNECTIONS TO BE SOLDERED AND PROTECTED WITH SHRINK TUBING.
4. RED AND BLACK WIRES TO BE CUT TO SUITABLE LENGTH.



VOLTAGE REGULATOR		No.	Revision	Date
		1		
		2		
		3		
		4		

Date	Approved By	Drawina Number
2001_08.27	<i>[Signature]</i>	LOOP2001 - 9.1



VOLTAGE REGULATOR CONNECTION			No.	Revision	Date
			1		
2					
3					
4					

Date	Approved By	Drawing Number
2001.08.27	<i>[Signature]</i>	LOOP2001 - 9.2