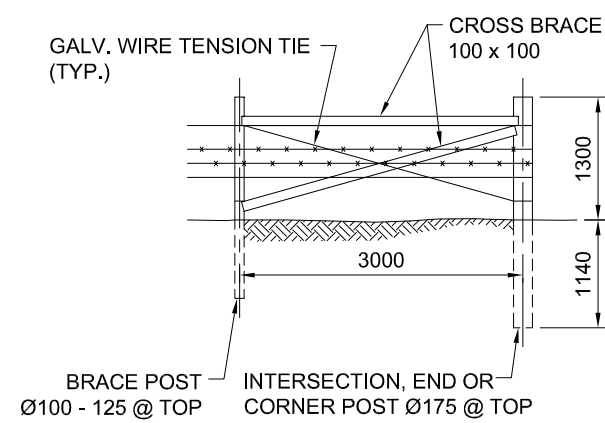


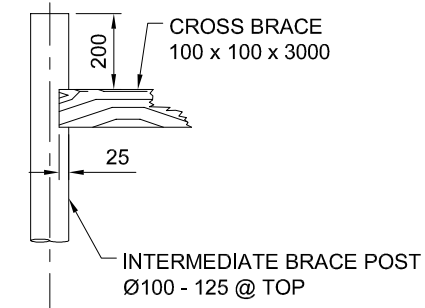
INSTALL BRACING EVERY 400 m ON TANGENT AND EVERY 200 m ON CURVE.

FENCE - ELEVATION
NTS

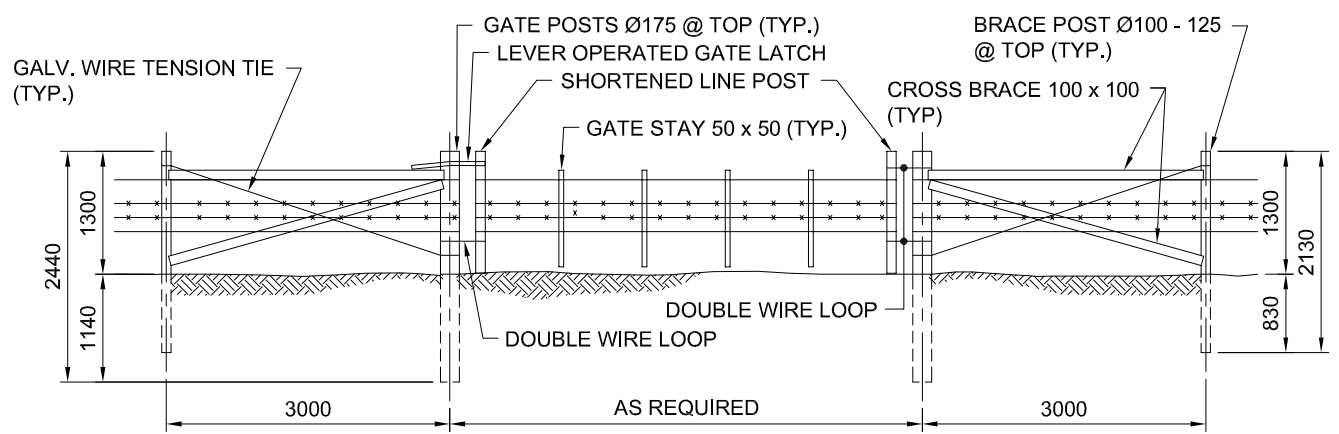


NOTE: BRACING TYPICAL IN ALL DIRECTIONS

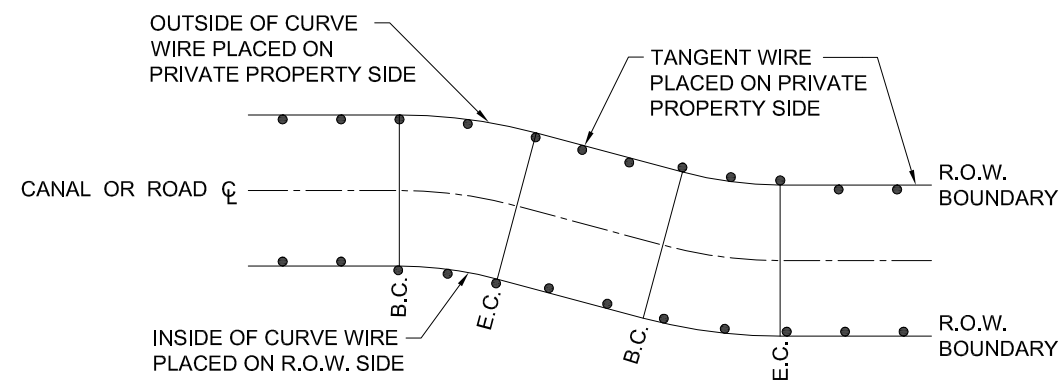
INTERSECTION OR END
NTS



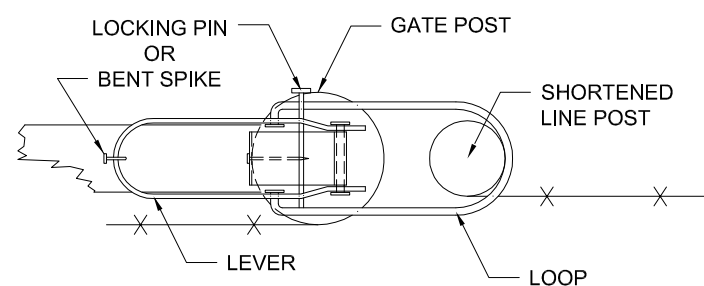
BRACE DETAIL
NTS



FARM GATE - ELEVATION
NTS

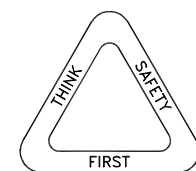


FENCE WIRE PLACEMENT
NTS



GATE LATCH PLAN DETAIL
NTS

- NOTES:
1. ALL DIMENSIONS SHOWN IN MILLIMETRES.
 2. THIS DRAWING TO BE USED IN CONJUNCTION WITH THE MOST RECENT CIVIL WORKS MASTER SPECIFICATION.
 3. TOP AND BOTTOM WIRES ARE BARBLESS, DOUBLE STRAND 12.5 GAUGE, GALVANIZED.



RECOMMENDED DIRECTOR WATER MANAGEMENT							
ORIGINAL SIGNED BY YVONNE CARIGNAN							
APPROVED EXECUTIVE DIRECTOR MAJOR CAPITAL PROJECTS BR.		WILDLIFE FRIENDLY BARBED WIRE FENCE					
ORIGINAL SIGNED BY LONDON REPPERT							
DESIGNER	ES	CHECKER	YC	DEPARTMENT BAR CODE DATE 2017-06-21	DATE 2017-03-22	SHEET 1 OF 1	DRAWING S-9008-17

AUTOCAD FILE No. S-9008-17.dwg