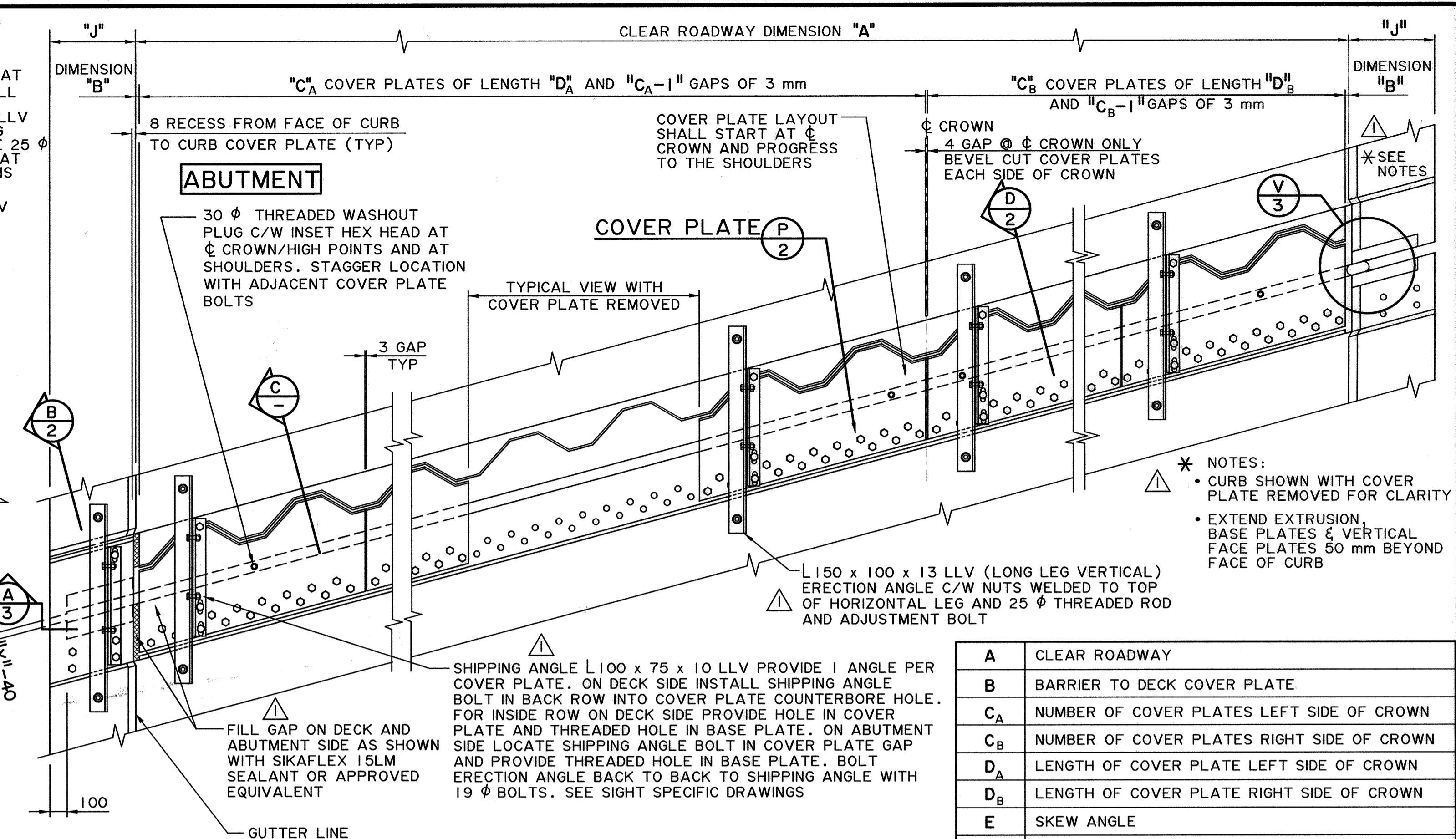


INSTALLATION SECTION

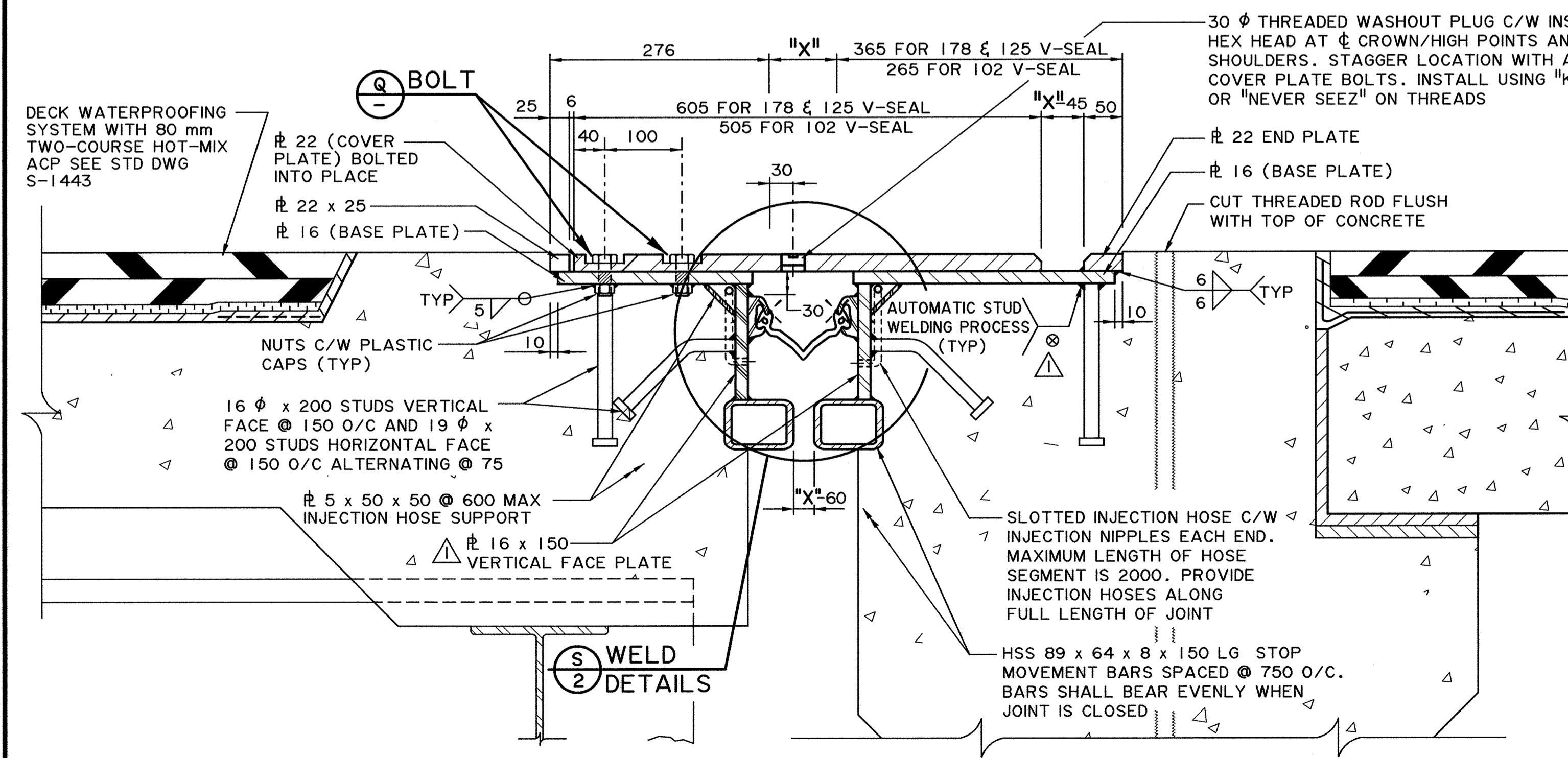


DECK JOINT ASSEMBLIES - PLAN

1:20

- * NOTES:
- CURB SHOWN WITH COVER PLATE REMOVED FOR CLARITY
 - EXTEND EXTRUSION, BASE PLATES & VERTICAL FACE PLATES 50 mm BEYOND FACE OF CURB

| | |
|----------------|--|
| A | CLEAR ROADWAY |
| B | BARRIER TO DECK COVER PLATE |
| C _A | NUMBER OF COVER PLATES LEFT SIDE OF CROWN |
| C _B | NUMBER OF COVER PLATES RIGHT SIDE OF CROWN |
| D _A | LENGTH OF COVER PLATE LEFT SIDE OF CROWN |
| D _B | LENGTH OF COVER PLATE RIGHT SIDE OF CROWN |
| E | SKREW ANGLE |
| F | CURB HEIGHT (SEE S-1680 FOR STD DETAILS) |
| G | DECK COVER PLATE BOLT SPACES |
| H | DECK COVER PLATE BOLT SPACING |
| J | BARRIER / CURB WIDTH |
| L | LENGTH OF SHIPPING ANGLE |
| M | LENGTH OF ERECTION ANGLE |
| X | JOINT GAP |

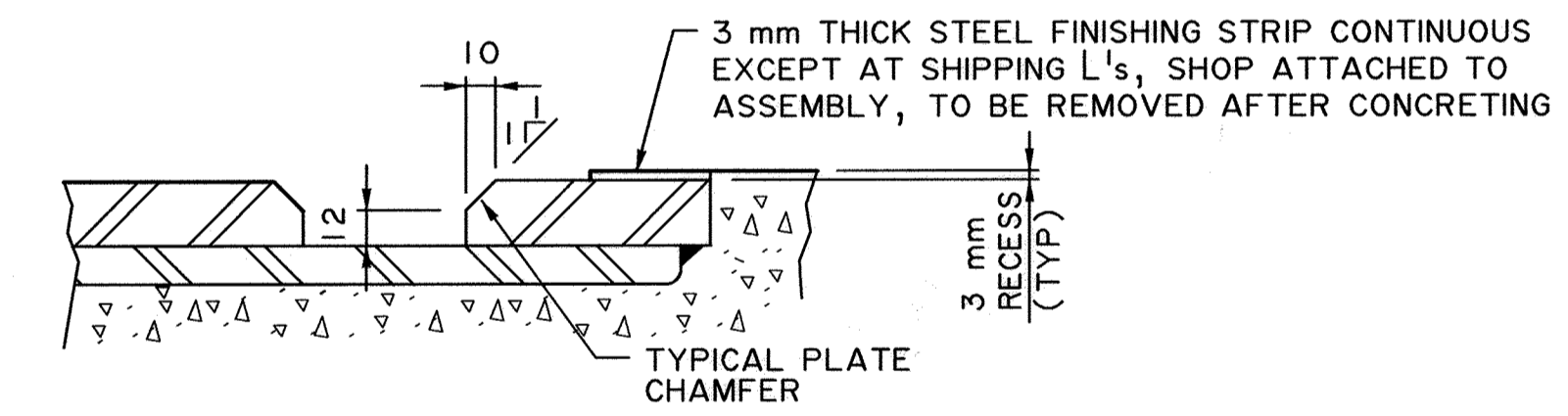


COMPLETED SECTION

DECK SIDE

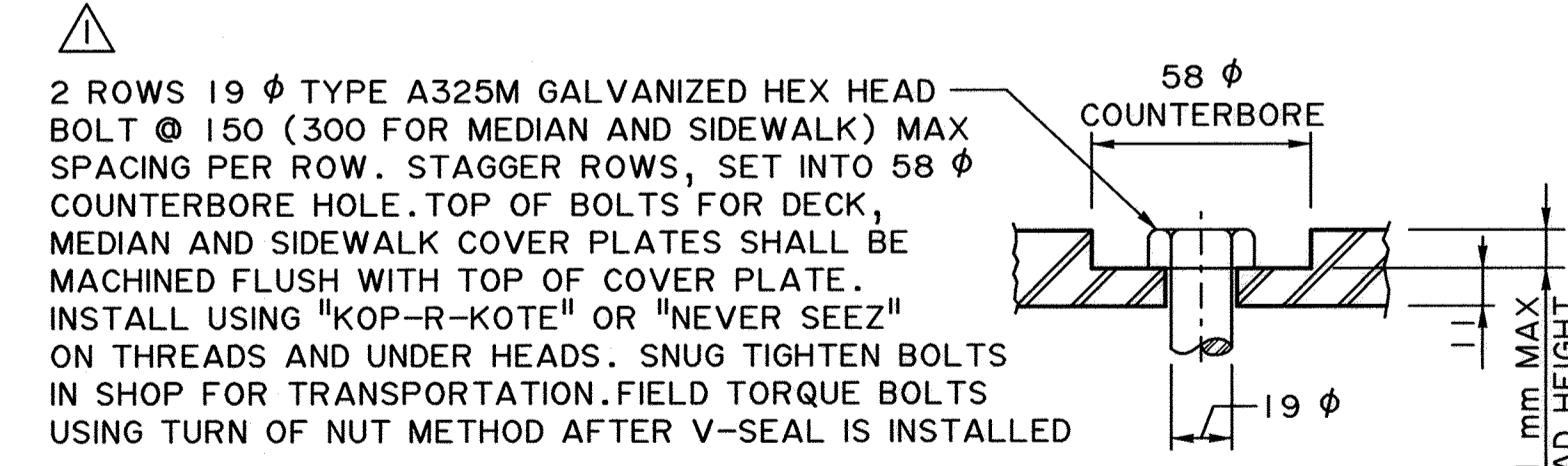
C SECTION 1:5

ABUTMENT



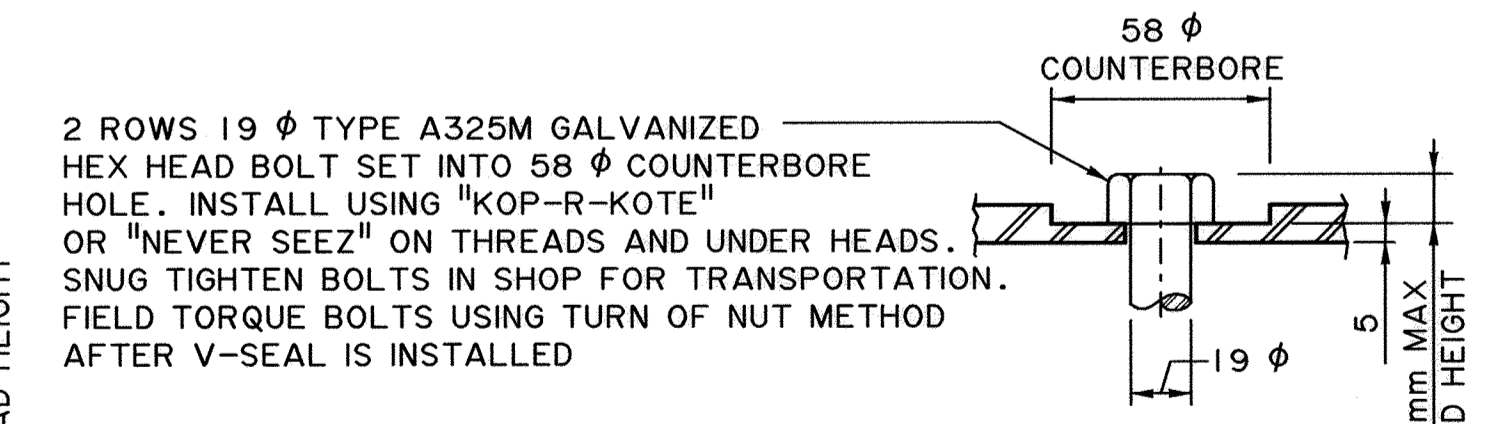
FINISHING STRIP AND CHAMFER

1:2.5



BOLT

REQ'D FOR DECK, MEDIAN AND SIDEWALK COVER PLATES 1:2



BOLT

REQ'D FOR CURB COVER PLATES 1:2

• WORK THESE DRAWINGS TOGETHER: S-1800, S-1801 AND S-1802

| | | | |
|--|------------|-------------------|------------|
| RECOMMENDED DIRECTOR BRIDGE ENGINEERING | | DES WILLIAMSON | |
| APPROVED EXECUTIVE DIRECTOR TECHNICAL STANDARDS BRANCH | | MOH LALI | |
| REV | DATE | REVISIONS | BY |
| Δ | 2014-02-20 | NOTES REVISED | CM CM |
| DESIGNER | CM CM | CHECKER | RY |
| DATE 2012-01-12 | | DATE | 2012-01-19 |
| SHEET 1 OF 3 | | DRAWING S-1800-11 | |

Government of Alberta ■ Transportation

COVER PLATED V-SEAL DECK JOINT - SHT 1