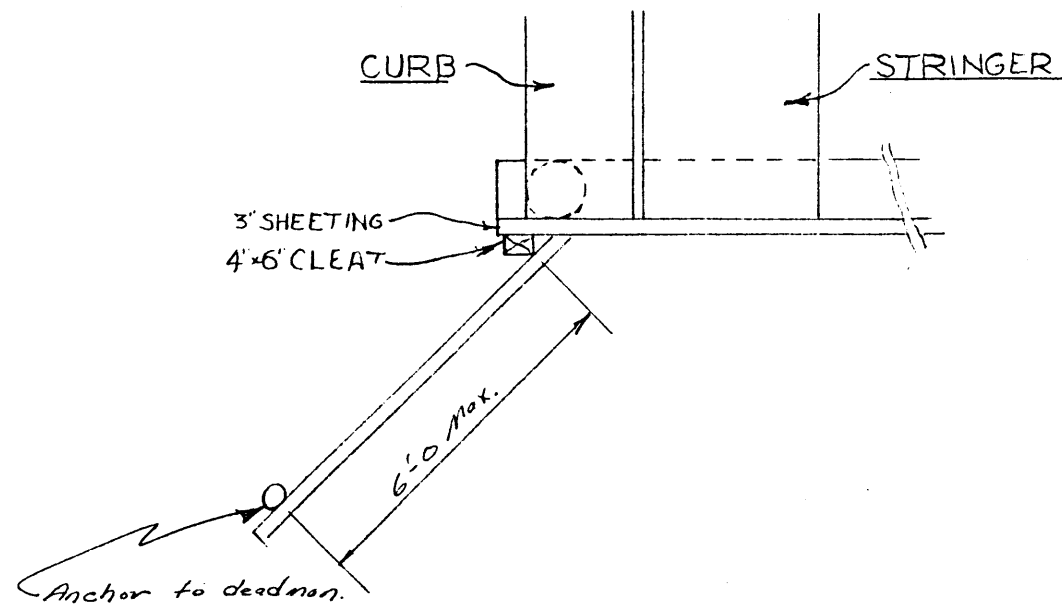


NOTE:  
 OUTSIDE EDGE OF OUTSIDE  
 PILE TO BE FLUSH WITH  
 OUTSIDE EDGE OF CURB

NOTE:  
 12x14 cap to have 12" side vertical.



STANDARD ABUTMENT BENT  
21'-0 ROADWAY PRECAST SPAN

SCALE 3/8" = 1'-0  
 JULY 17, 1953

S-546