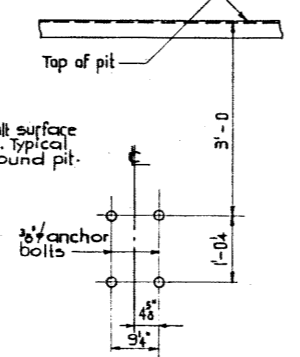
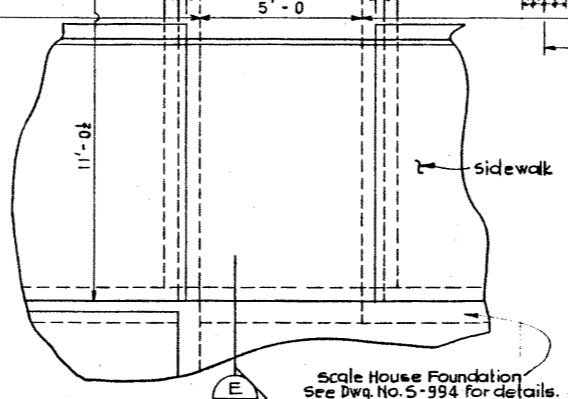


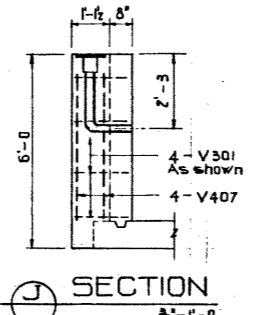
**C SECTION**  
3/8" = 1'-0"



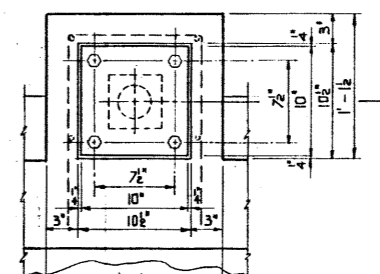
**H VIEW**  
JUNCTION BOX ANCHORS  
3/8" = 1'-0"



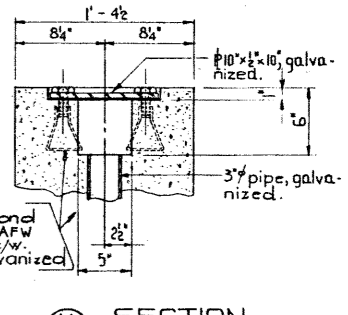
**PLAN**  
3/8" = 1'-0"



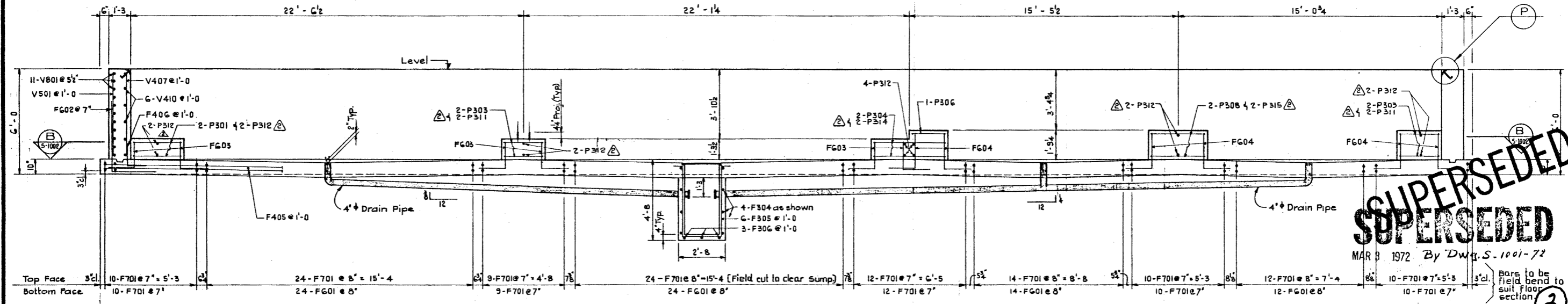
**J SECTION**  
3/8" = 1'-0"



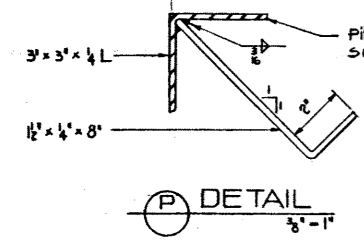
**R DETAIL**  
1/2" = 1'-0"



**K SECTION**  
1/2" = 1'-0"



**A SECTION**  
3/8" = 1'-0"



**P DETAIL**  
3/8" = 1'-1"

**SUPERSEDED**  
**SUPERSEDED**  
MAR 8 1972 By Dwg. S-1001-72

See Dwg. S-1002 for notes.

APPROVED		PROVINCE OF ALBERTA DEPARTMENT OF HIGHWAYS AND TRANSPORT BRIDGE BRANCH	
Sep 24 71 Reinforcing. J.R.C. July 71 Redrawn J.R.C.		CHIEF BRIDGE ENGINEER	
<b>WEIGH SCALE STATION</b> <b>SCALE PIT DETAILS #1</b>			
REVISIONS		DATE	
DESIGNED	DRAWN BY	DATE	CHECKED BY
	V. Baychuk	Aug. 71	J.R. Channon
DATE	DESCRIPTION	DATE	BY
		Aug. 71	
STREAM	LOCATION	HWY. NO.	SCALE
			shown
FILE NO.	SHEET	DWG. NO.	
3 2 35	of	S-1001-71	