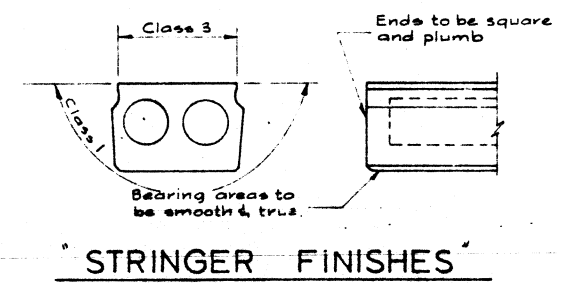
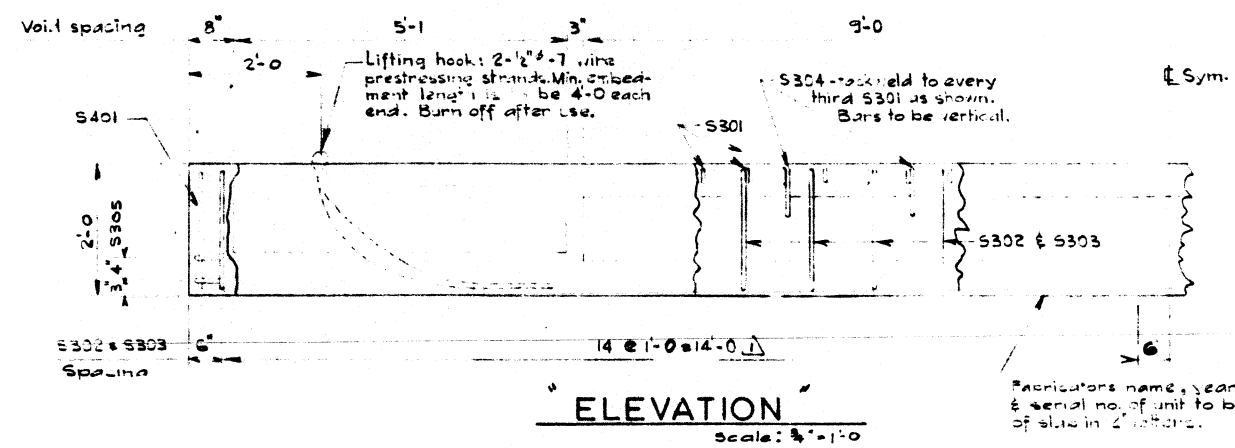
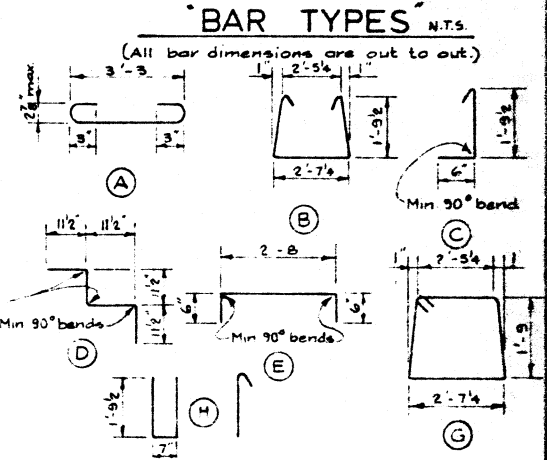
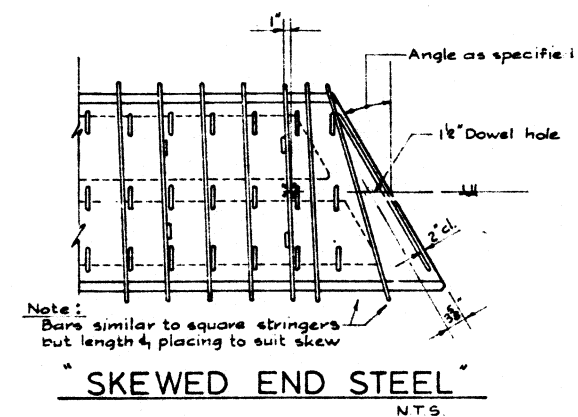
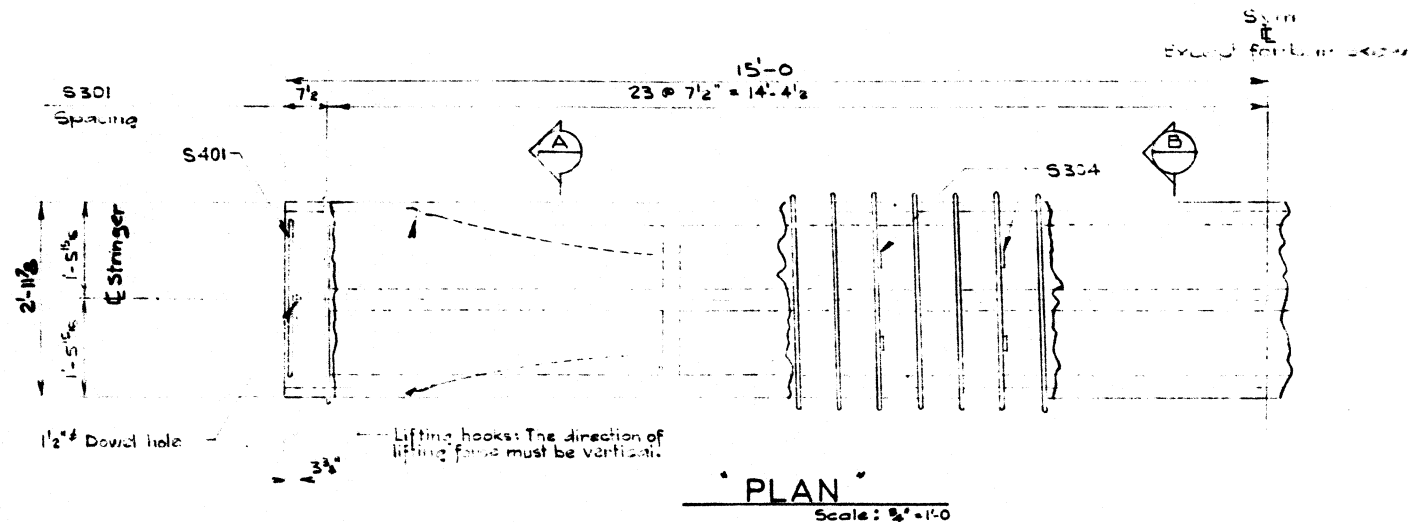


**BAR LIST**

MARK	SIZE	NO.	TYPE	LENGTH	WEIGHT
S 301	3	47	A	4'-0"	71
S 302	3	30	B	6'-10"	77
S 303	3	50	C	2'-7"	29
S 304	3	16	D	3'-10"	23
S 305	3	4	E	3'-8"	6
S 401	4	2	G	9'-4"	12
E 401	4	4	H	5'-2"	14
Total:					252



**GENERAL NOTES**

**DESIGN**  
A.A.H.R.O. 1985 Specifications

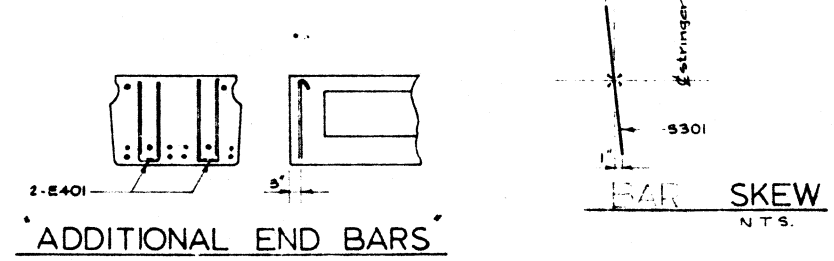
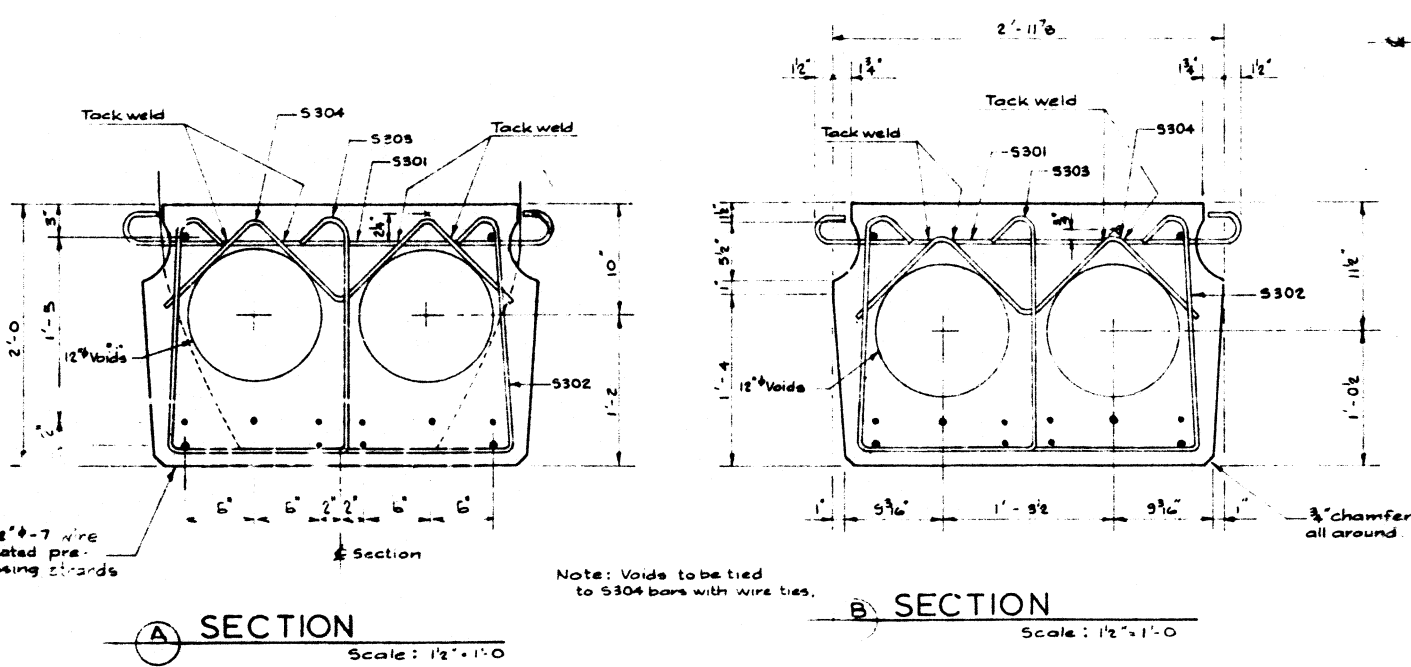
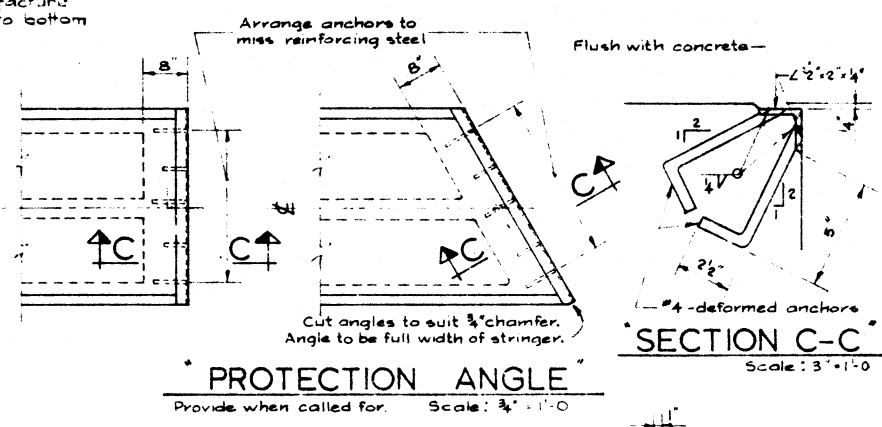
Location: 3/8 of one wheel line of an F50-115-4 truck plus full lead load plus 2" wearing surface.

**MATERIALS**  
Concrete shall be of standard weight aggregate with a maximum size of 3/4". Minimum compressive strength shall be 5000 psi. at 28 days. An entrainment to be not less than 5%.

**FABRICATION**  
Reinforcement: Diameter of all bars shall conform to the recommended sizes and all hooks, unless otherwise noted shall conform to the recommended sizes detailed in the A.A.H.R.O. Manual of Standard Practice for Detailing Reinforced Concrete Structures.  
Prestressing Steel: Initial tensioning load shall be 20% of cable breaking load. Minimum compressive strength before the prestressing force is transferred.  
Anchor bolt: shall be to be cast in situ at spacing as required.  
Welds are to conform to the requirements of the Bridge Branch Specifications for Prestressed Concrete Bridge Units.

The surface of grout keys shall be sandblasted. If end blockouts are used for their surface shall be sandblasted.

**ERECTOR**  
Lifting force at all times must be vertical at all times. Stringer surface must be level at all times.



**SUPERSEDED**  
BY S 5003  
**SUPERSEDED**

**PRESTRESSED CONCRETE**  
**30 FT. SPAN**  
**TYPE 'M' STRINGER**

GOVERNMENT OF THE PROVINCE OF ALBERTA  
DEPARTMENT OF HIGHWAYS  
BRIDGE BRANCH, EDMONTON

FILE NO. \_\_\_\_\_ HWY. NO. \_\_\_\_\_  
SCALE OF SHEETS: 5-003-69  
SHEET \_\_\_\_\_ OF \_\_\_\_\_

NO.	DATE	DESCRIPTION	BY
1	Dec 19	Stirrup spacing	R.G.
REVISIONS			

DESIGNED BY: T. Baker DATE: 10/57  
 CHECKED BY: F.W. Buzen DATE: 10/57  
 APPROVED BY: [Signature] DATE: 10/57