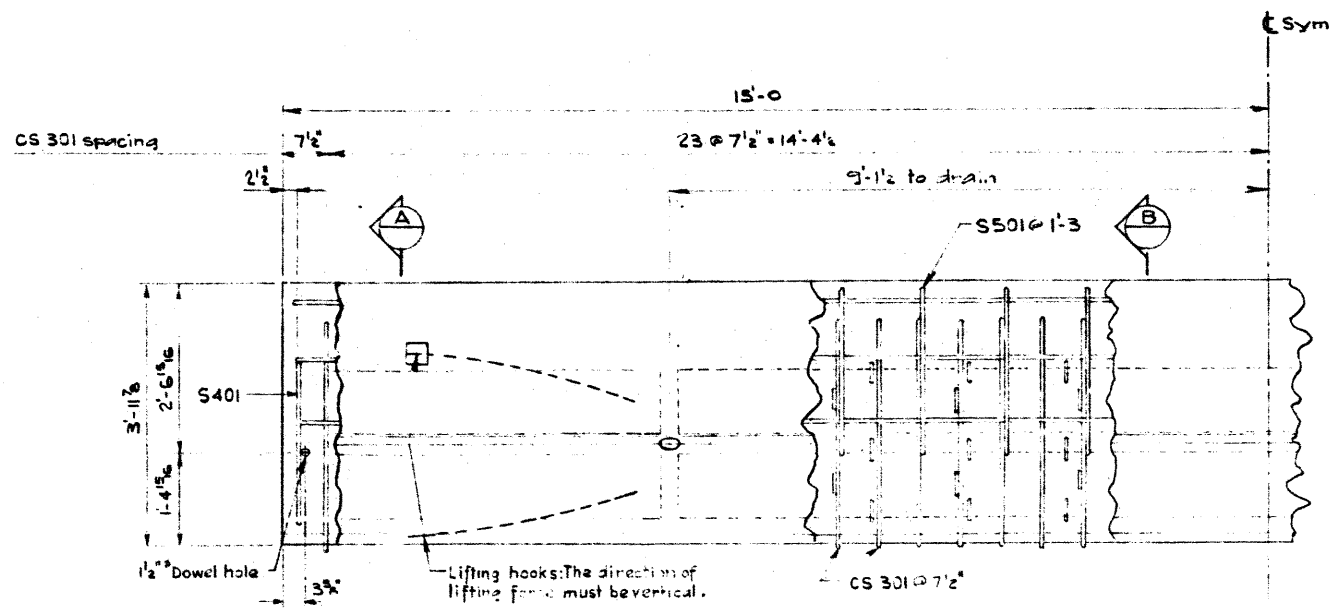
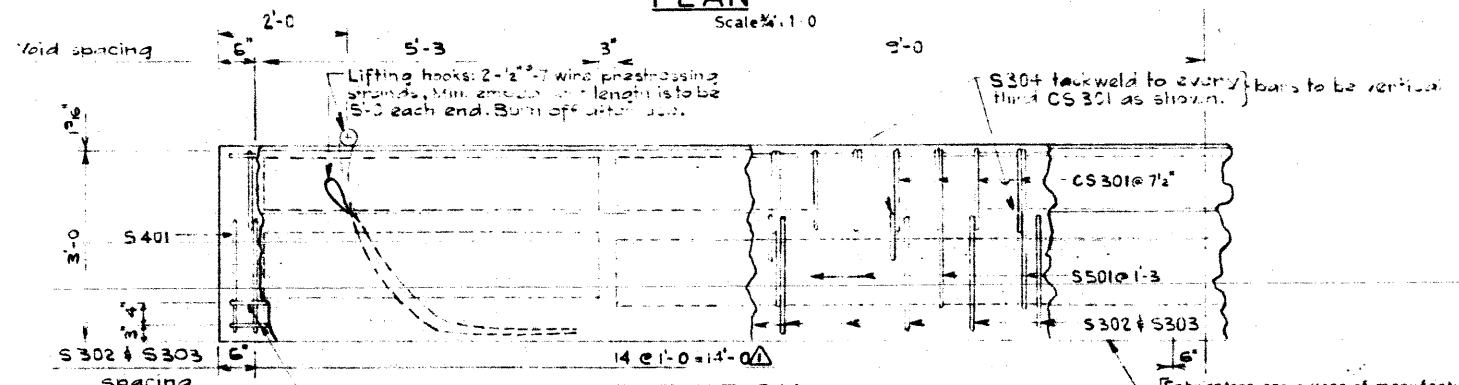


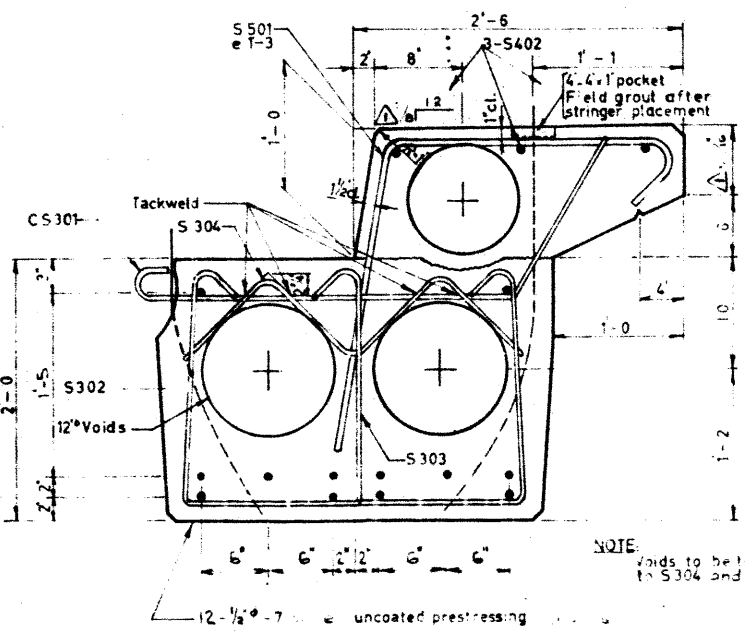
DESIGNED BY J. Belke
 CHECKED BY F.W. Budd
 DATE Oct. 19 69
 DATE Oct. 19 69
 DATE Dec. 19 69
 CHECKED BY R.K. ...



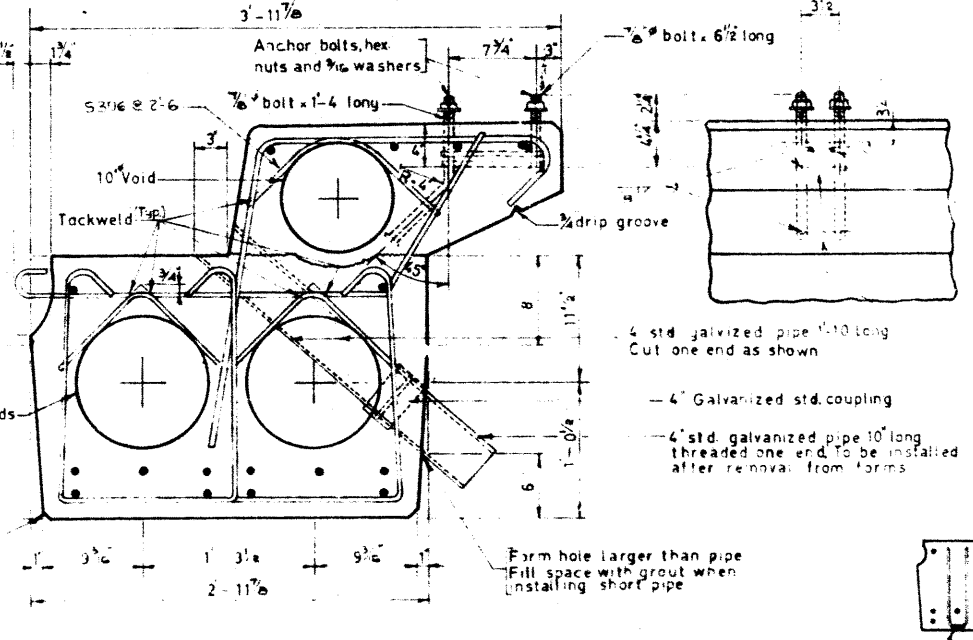
PLAN
 Scale 1/4" = 1'-0"



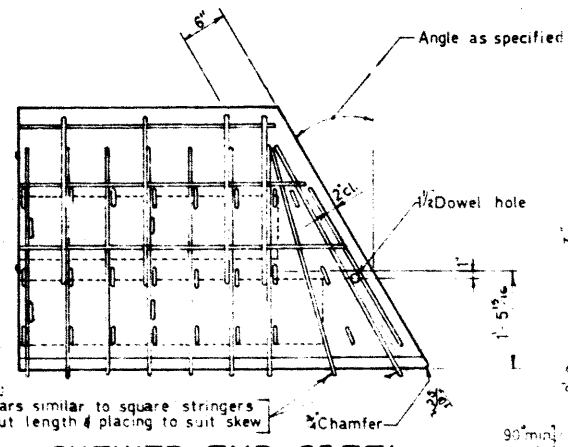
ELEVATION
 Scale 3/4" = 1'-0"



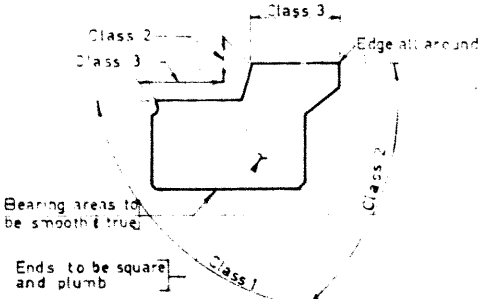
SECTION A
 Scale 1/2" = 1'-0"



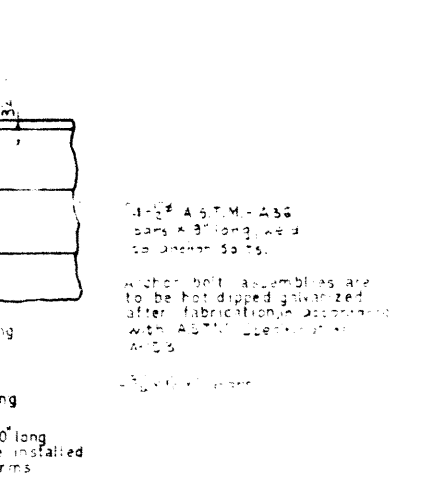
SECTION B
 Scale 1/2" = 1'-0"



SKewed END STEEL
 NTS

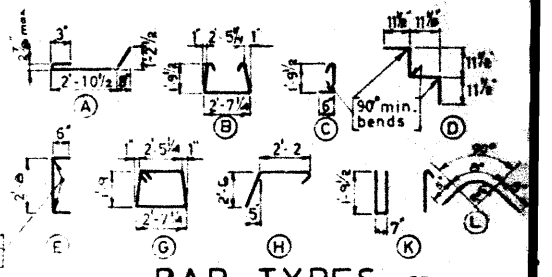


STRINGER FINISHES



ADDITIONAL END BARS
 Scale 1/2" = 1'-0"

BAR LIST					
Mark	Size	No	Type	Length	Weight
CS 301	3	47	A	4'-7"	81
S 302	3	30	B	6'-10"	77
S 303	3	30	C	2'-7"	29
S 304	3	16	D	3'-10"	29
S 305	3	4	E	3'-8"	8
S 401	4	2	G	9'-4"	12
S 402	4	3	Str	2'-8"	59
S 501	5	24	H	5'-2"	129
E 401	4	4	K	5'-2"	14
S 306	3	12	L	1'-9"	8
Total lbs					498



BAR TYPES NTS
 (All bar dimensions are out to ...)

DESIGN: A. A. S. H. O. 1969 Specifications.

LOADING: 3/5 of one wheel line of an H20-S16-44 truck plus full dead load plus 2" wearing surface.

MATERIALS: Concrete shall be of standard weight aggregate with a maximum size of 3/4". Minimum compressive strength shall be 5000 p.s.i. at 28 days. Air entrainment to be not less than 5%.

FABRICATION: Reinforcement: Diameters of all bends shall conform to the recommended sizes and all hooks, unless otherwise noted shall conform to the recommended sizes detailed in the A.C.I. Manual of Standard Practice for Detailing Reinforced Concrete Structures. Prestressing steel: Initial tensioning load = 25.2 k/Cable Design load = 20.16 k/Cable

Concrete must attain 4,000 p.s.i. compressive strength before the prestressing force is transferred. Anchor bolt assemblies are to be cast in stringer at spacings as required. Units are to conform to the requirements of the Bridge Branch Specifications for Prestressed Concrete Bridge Units.

The surface of grout keys shall be sandblasted. If end blockouts are called for their surfaces shall be sandblasted.

SECTION: Lifting force at each hook must be vertical at all times. Stringer surface must be level at all times.

SUPER EDEDDED
 By S... 7/1

PRESTRESSED CONCRETE
30 FT. SPAN
TYPE "M" CURB STRINGER

GOVERNMENT OF THE PROVINCE OF ALBERTA
 DEPARTMENT OF HIGHWAYS
 BRIDGE BRANCH, EDMONTON

FILE NO. ...
 LOCATION ...
 DRAWING NO. 5-1004-69

NO.	DATE	DESCRIPTION	BY
1	Dec 11/69	Strip spacing & curb level	P.B.