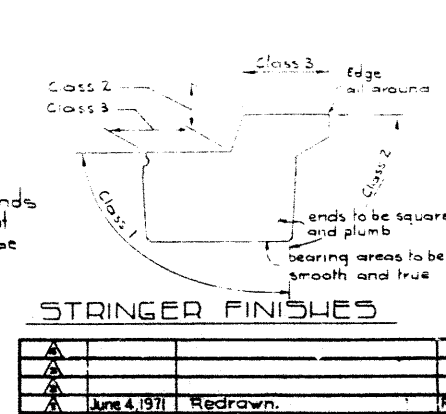
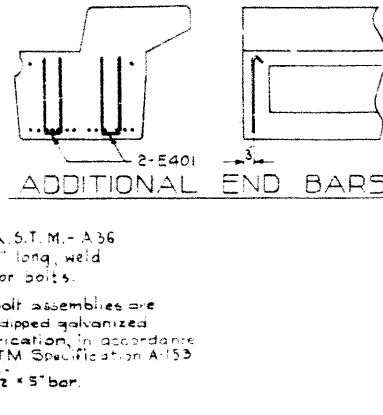
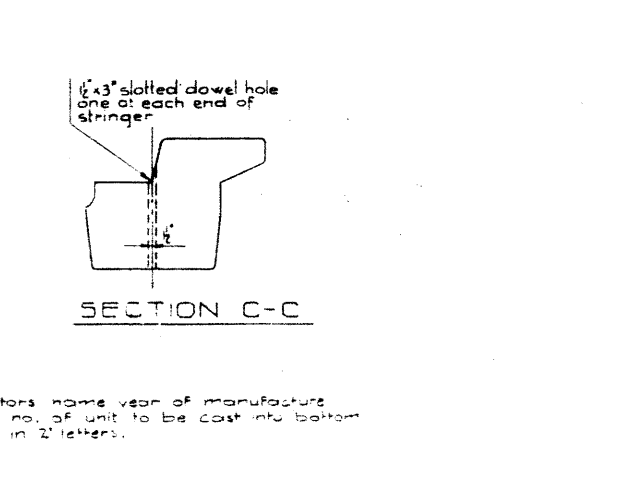
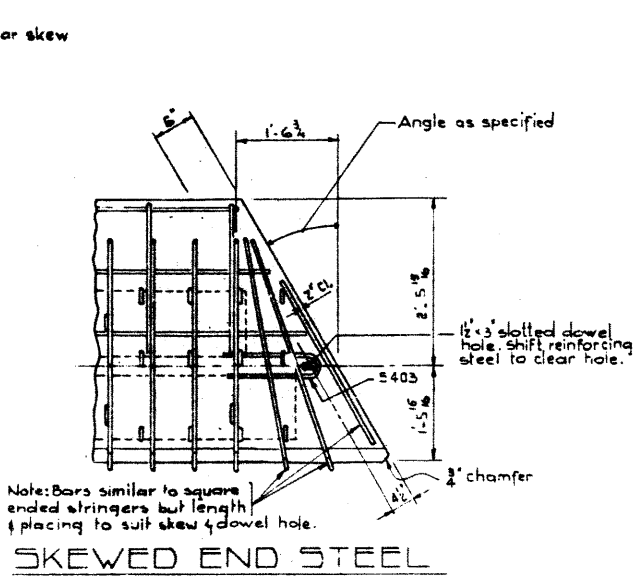
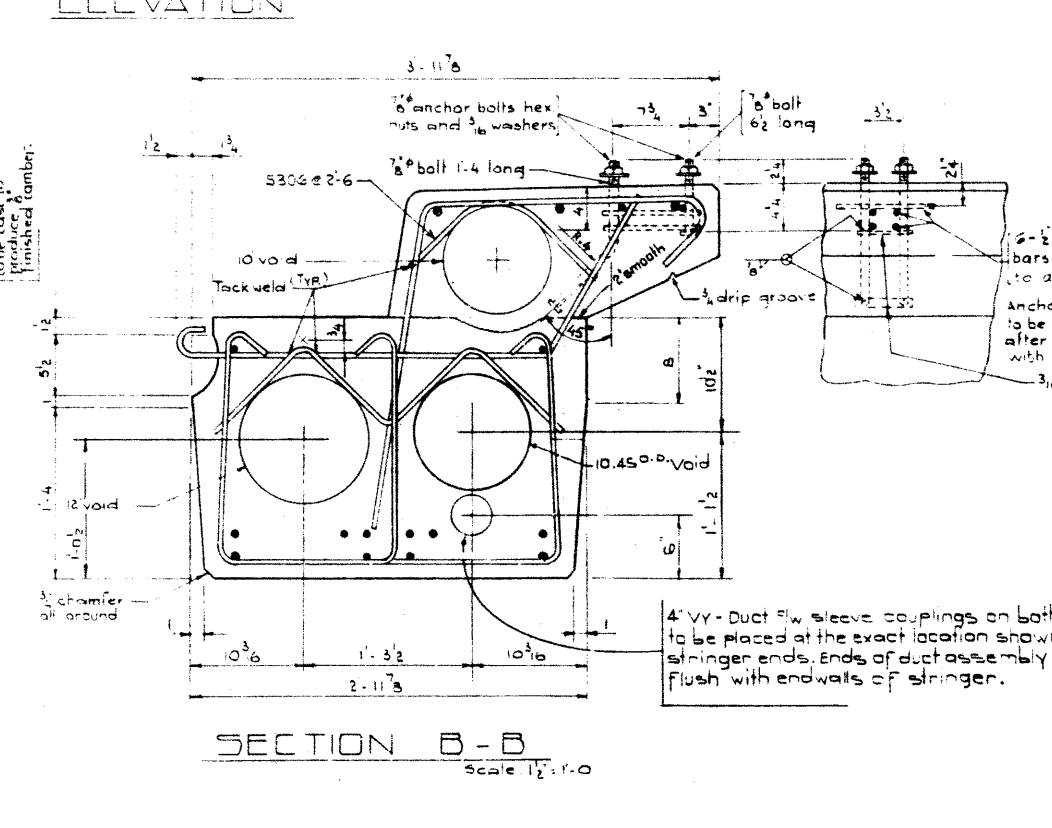
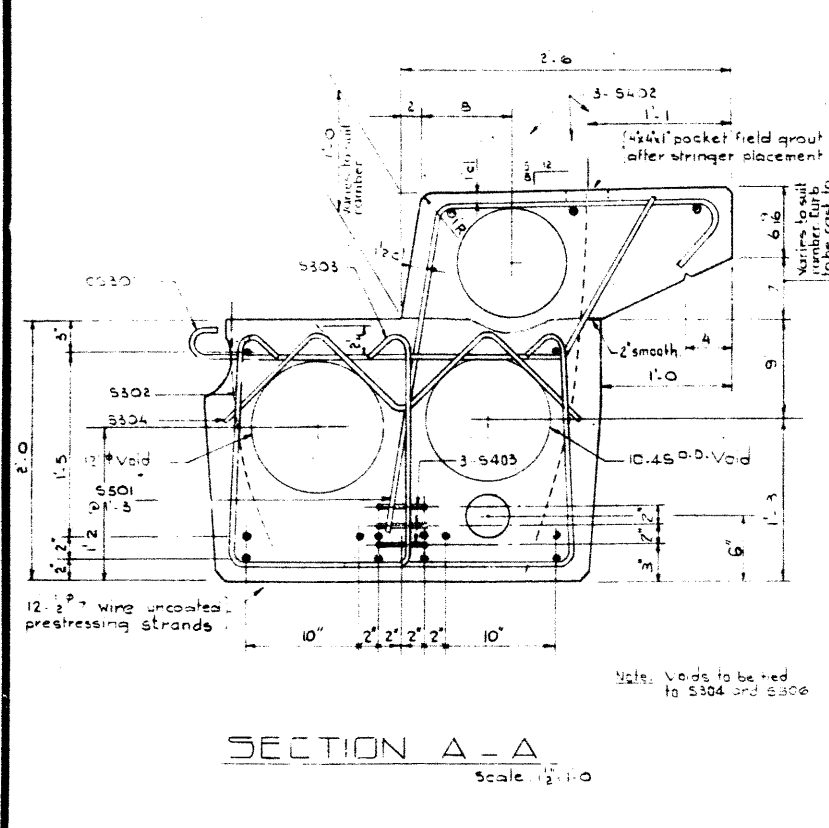
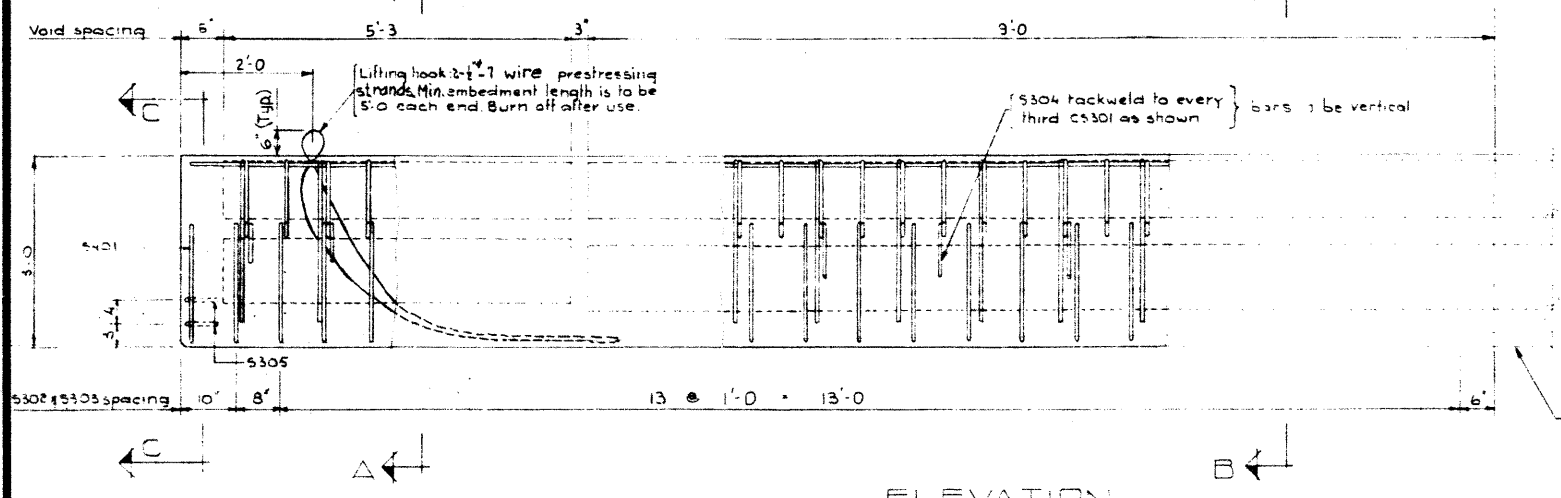
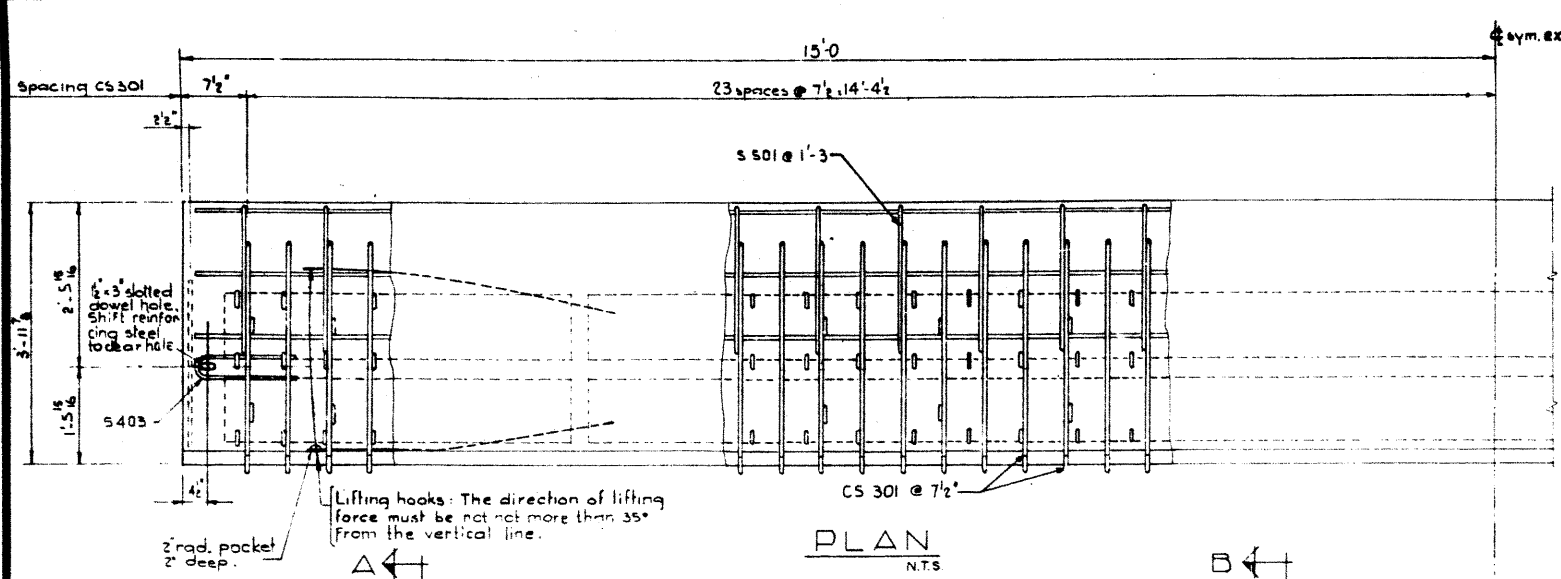
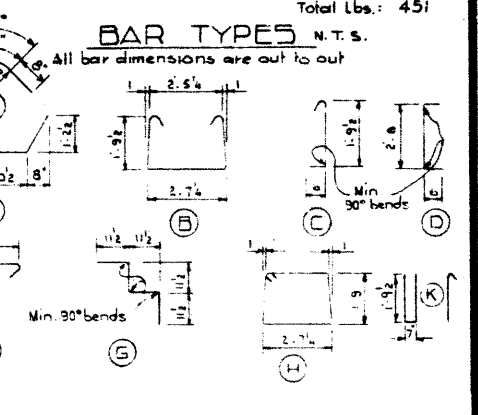


DESIGNED BY I. Belke
 DATE Oct 18 69
 CHECKED BY F.W. Budd
 DATE Oct 18 69



BAR LIST					
Mark	Size	No.	Type	Length	Weight
CS301	3	47	A	4'-7	81
S302	3	30	B	6'-10	77
S303	3	30	C	8'-7	23
S304	3	16	D	5'-10	23
S305	3	4	D	5'-8	6
S401	4	2	H	8'-4	12
S402	4	3	SP	23'-8	79
S501	5	24	E	5'-2	129
E401	4	4	K	5'-2	14
S306	3	12	L	1'-9	8
S403	4	6	M	3'-2	13
Total Lbs.: 451					



GENERAL NOTES

DESIGN: A.S.T.M. 1961 Specifications except allowable initial concrete stress = 285 p.s.i. in tension.

Loading: 3/5 of one wheel line of an H20-S16-44 truck plus full dead load plus 2" wearing surface.

MATERIALS

Concrete shall be of standard weight aggregate with a maximum size of 3/4". Minimum compressive strength shall be 5000 p.s.i. at 28 days. Air entrainment shall be not less than 5%.

FABRICATION

Reinforcement: Diameters of all bends and details of all hooks unless otherwise noted shall conform to the recommended sizes detailed in the A.C.I. Manual of Standard Practice for Detailing Reinforced Concrete Structures.

Prestressing Steel: Initial tensioning load = 25.2 k/Strand Design load = 20.16 k/Strand

Concrete must attain 4,000 p.s.i. compressive strength before the prestressing force is transferred.

Anchor bolt assemblies are to be cast in stringer at spacings as required.

Units are to conform to the requirements of the Bridge Branch Specifications for Prestressed Concrete Bridge Units. The surface of grout keys shall be sandblasted. If end blockouts are called for their surface shall be sandblasted.

ERECTION

Lifting force at each hook must be not more than 35° from the vertical line at all times. Stringer surface must be level at all times.

SUPERSEDED

PRESTRESSED CONCRETE
 30 FT SPAN
 TYPE M CURB STRINGER

GOVERNMENT OF THE PROVINCE OF ALBERTA
 DEPARTMENT OF HIGHWAYS
 BRIDGE BRANCH, EDMONTON

FILE NO. _____ HWY. NO. _____ DWS. NO. _____
 LOCATION _____ SCALE Shown _____
 STREAM _____ OF _____ S-1004-71

NO.	DATE	DESCRIPTION	BY
1	June 4, 1971	Redrawn	R.W.K.