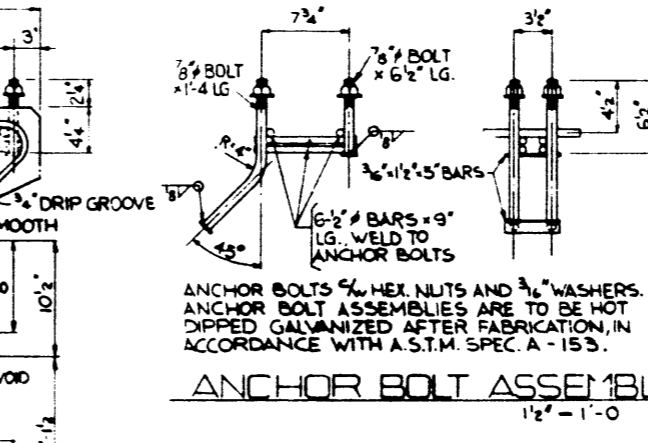
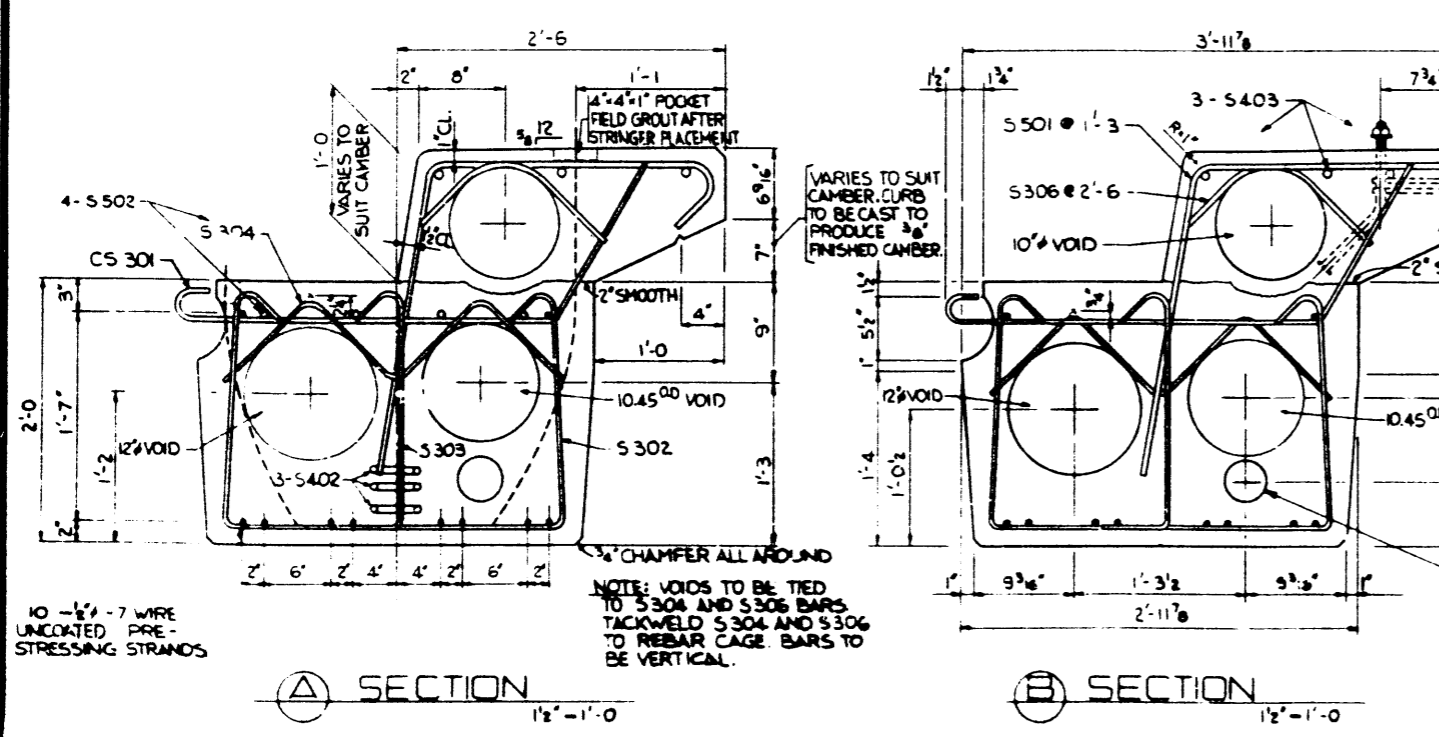
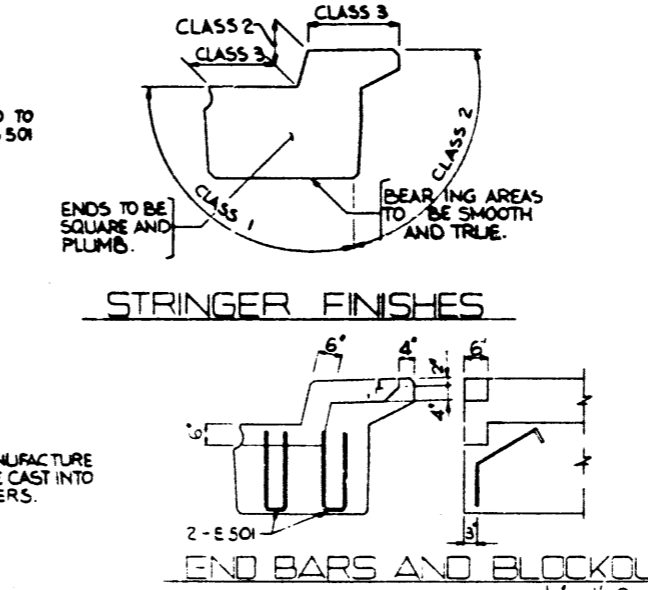
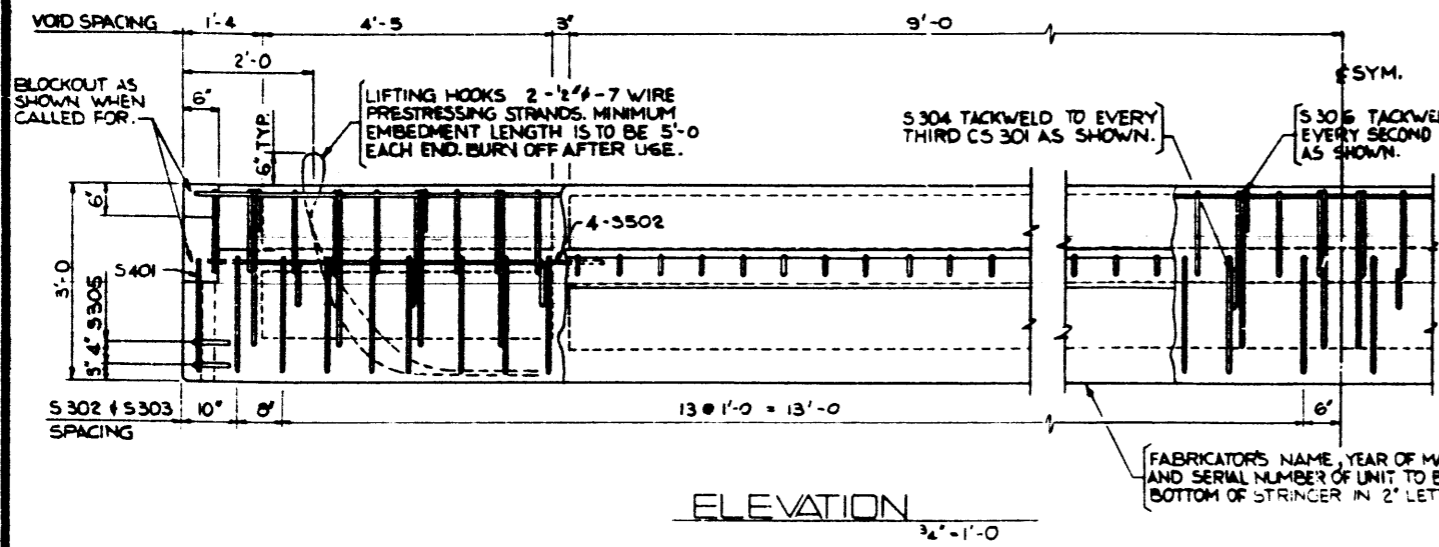
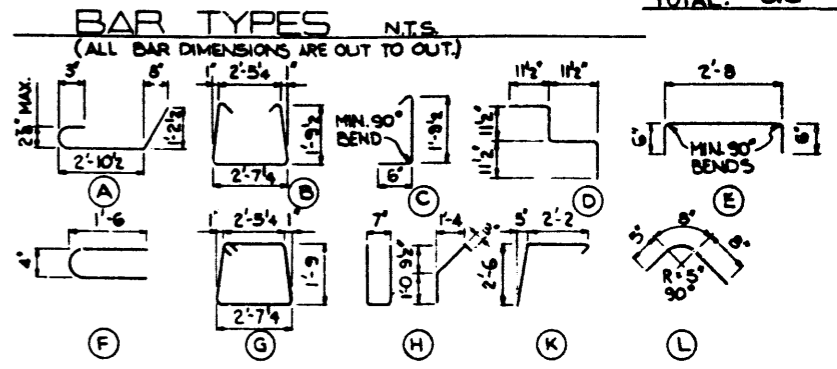
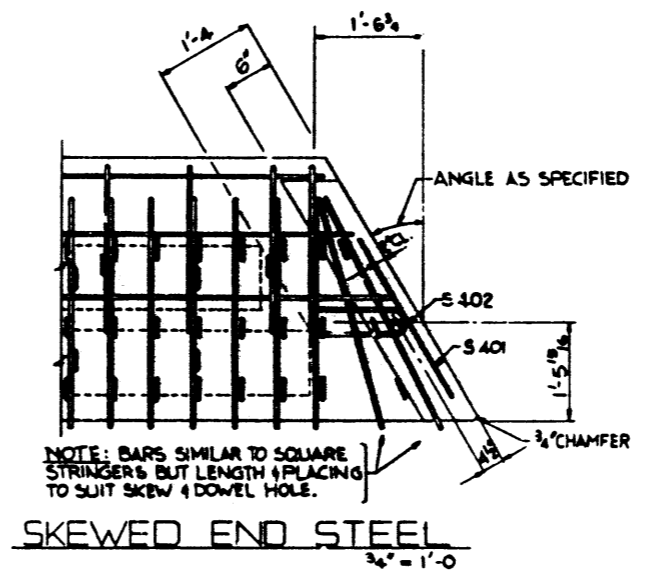
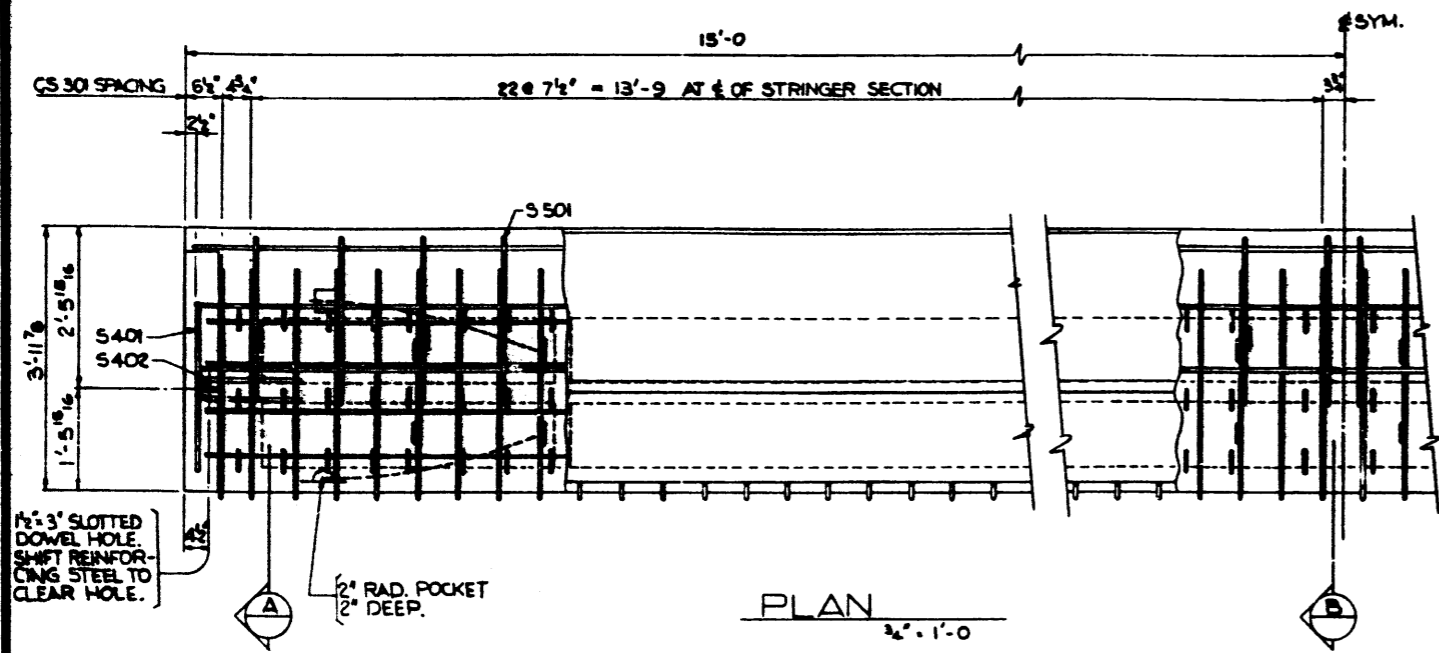


BAR LIST

MARK	SIZE	NO.	TYPE	LENGTH	WEIGHT
CS 301	3	48	A	4'-7"	85
S 302	3	30	B	6'-10"	77
S 303	3	30	C	2'-7"	29
S 304	3	16	D	3'-10"	23
S 305	3	4	E	3'-8"	6
S 306	3	12	L	1'-9"	6
S 401	4	2	D	9'-4"	12
S 402	4	6	F	3'-2"	13
S 403	4	3	STR.	29'-8"	85
S 501	5	24	K	9'-2"	129
E 301	5	4	H	6'-2"	26
S 502	5	8	STR.	6'-0"	80
				TOTAL:	515



- GENERAL NOTES:**
- DESIGN:**
- A. A. S. H. O. 1969 SPECIFICATIONS PLUS INTERIM TO 1972. EXCEPT ALLOWABLE FINAL CONCRETE STRESS = 420 P. S. I. IN TENSION IN RECOMRESSED TENSILE ZONE.
 - LOADING: 3/5 OF ONE WHEEL LINE OF AN HS 20-44 TRUCK PLUS FULL DEAD LOAD PLUS 2" WEARING SURFACE.
- MATERIALS:**
- CONCRETE SHALL BE OF STANDARD WEIGHT AGGREGATE WITH A MAXIMUM SIZE OF 3/4". MINIMUM COMPRESSIVE STRENGTH SHALL BE 5,000 P. S. I. AT 28 DAYS. AIR ENTRAINMENT SHALL BE NOT LESS THAN 5%.
 - PRESTRESSING STEEL SHALL BE 1/2" DIAMETER - 7 WIRE 270 K STRAND.
- FABRICATION:**
- REINFORCEMENT: DIAMETERS OF ALL BENDS AND DETAILS OF ALL HOOKS UNLESS OTHERWISE NOTED SHALL CONFORM TO THE RECOMMENDED SIZES DETAILED IN THE A. C. I. MANUAL OF STANDARD PRACTICE FOR DETAILING REINFORCED CONCRETE STRUCTURES.
 - PRESTRESSING STEEL: INITIAL TENSIONING LOAD = 28.91 K/STRAND
DESIGN LOAD = 24.1 K/STRAND
 - CONCRETE SHALL ATTAIN 4000 P. S. I. COMPRESSIVE STRENGTH BEFORE THE PRESTRESSING FORCE IS TRANSFERRED.
 - ANCHOR BOLT ASSEMBLIES SHALL BE CAST IN STRINGER AT SPACINGS AS REQUIRED.
 - STRINGERS SHALL CONFORM TO THE REQUIREMENTS OF THE BRIDGE BRANCH: SPECIFICATIONS FOR PRESTRESSED CONCRETE BRIDGE UNITS.
 - THE SURFACE OF GROUT KEYS AND END BLOCKOUTS SHALL BE SANDBLASTED.
 - ALTERNATE HOLD DOWN DEVICES FOR PLACEMENT OF VOIDS WILL BE CONSIDERED.
- SECTION:**
- LIFTING FORCE AT EACH HOOK MUST BE NOT MORE THAN 35% FROM THE VERTICAL LINE AT ALL TIMES. STRINGER SURFACE MUST BE LEVEL AT ALL TIMES.

APPROVED		PROVINCE OF ALBERTA DEPARTMENT OF HIGHWAYS AND TRANSPORT BRIDGE BRANCH	
_____ CHIEF ENGINEER		PRESTRESSED CONCRETE 30 FT. SPAN TYPE 'M' CURB STRINGER	
REVISIONS			
NO.	DATE	DESCRIPTION	BY
1	JAN 1973	DESIGNED BY D.H. CLAPP & STANLEY E. B. J.	CHECKED BY DATE
DRAWN BY		SCALE	LOCATION
5-004-73		DATE	NO. OF SHEETS