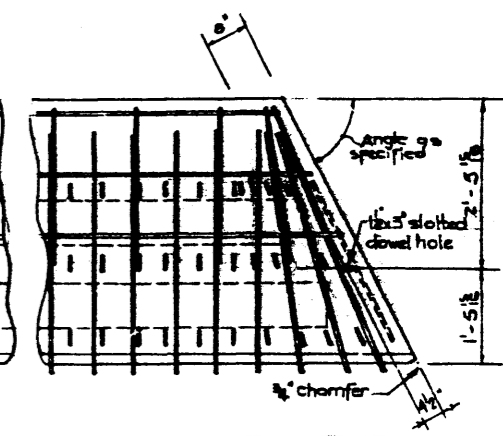
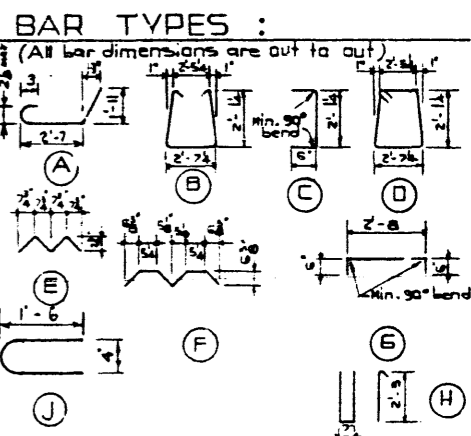


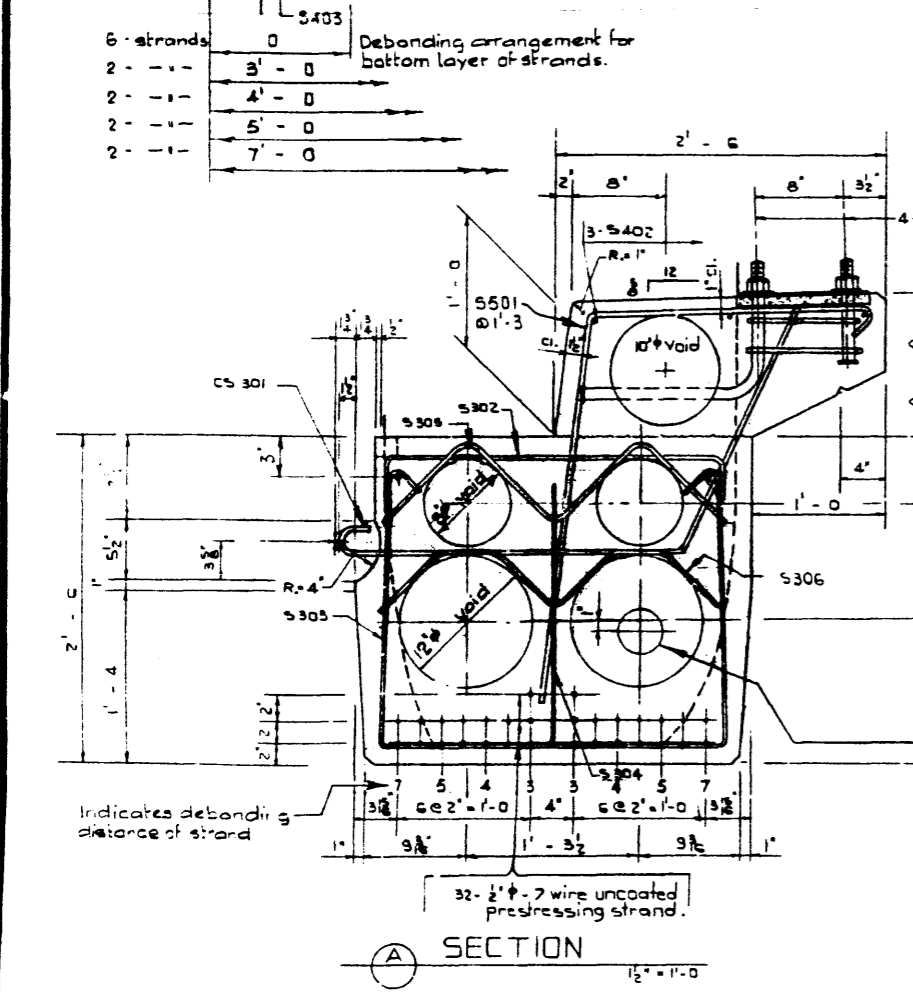
PLAN
N.T.S.



SKewed END STEEL
Note: Bars similar to square ended stringers but length and placing to suit skew.



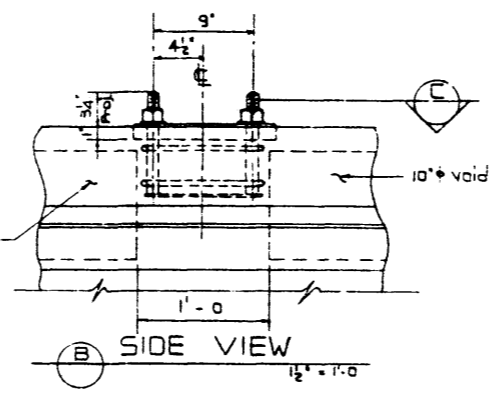
GENERAL NOTES:



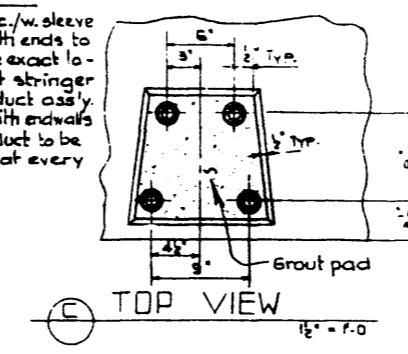
SECTION
1 1/2" = 1'-0"

Fabricator's name, year of manufacture & serial no. of unit to be cast into bottom of slab in 2" letters.

ELEVATION
N.T.S.



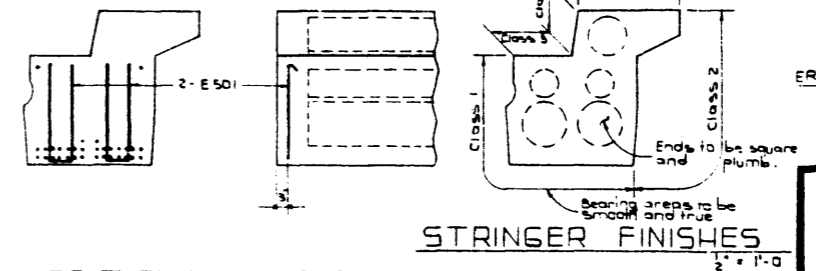
SIDE VIEW
1 1/2" = 1'-0"



TOP VIEW
1 1/2" = 1'-0"

BAR LIST

Mark	Size	No.	Type	Length	Weight
CS 301	3	105	A	5'-0	197
S 302	3	36	L	3'-1	44
S 303	3	76	B	7'-6	214
S 304	3	76	C	3'-1	88
S 305	3	36	E	3'-8	52
S 306	3	36	F	3'-11	56
S 401	4	2	D	10'-1	13
S 501	5	105	K	5'-7	611
S 402	4	6	Str.	33'-10	136
E 401	4	4	G	3'-8	10
E 501	5	4	H	6'-1	25
S 403	4	6	J	3'-2	17
Total lbs.:					1,439



STRINGER FINISHES

ADDITIONAL END BARS
1 1/2" = 1'-0"

DESIGN A.A.S.H.O. 1969 Specifications except allowable initial concrete stress = 285 p.s.i. in tension.

MATERIALS Concrete shall be of standard weight aggregate with a maximum size of 3/4". Minimum compressive strength shall be 5000 p.s.i. at 28 days. Air entrainment to be not less than 5%.

FABRICATION Reinforcement: Diameters of all bends shall conform to the recommended sizes and all hooks, unless otherwise noted shall conform to the recommended sizes detailed in the A.C.I. Manual of Standard Practice for Detailing Reinforced Concrete Structures. Prestressing steel: Initial tensioning load = 23.2 k, Cable Design load = 20.16 k, Cable Concrete must attain 4,000 p.s.i. compressive strength before the prestressing force is transferred. Anchor bolt assemblies are to be cast in stringer at spacings as required. Units are to conform to the requirements of the Bridge Branch Specifications for Prestressed Concrete Bridge Units.

The surface of grout keys shall be sandblasted. If end blockouts are called for their surfaces shall be sandblasted.

ERECTION Lifting force at each hook must be vertical at all times. Stringer surface must be level at all times.

PRESTRESSED CONCRETE
66 FT. SPAN
30" TYPE 'M' CURB STRINGER

GOVERNMENT OF THE PROVINCE OF ALBERTA
DEPARTMENT OF HIGHWAYS AND TRANSPORT
BRIDGE BRANCH, EDMONTON

NO.	DATE	DESCRIPTION	BY
1	DEC 21 1972	PIPE DRAIN REMOVED	R.V.K.
2	DEC 21 1972	CURB DIMENSIONS	R.V.K.

REVISIONS

FILE NO. _____ HWY. NO. _____ DWS. NO. _____
SCALE as shown 5-1009
LOCATION _____ SHEET OF _____