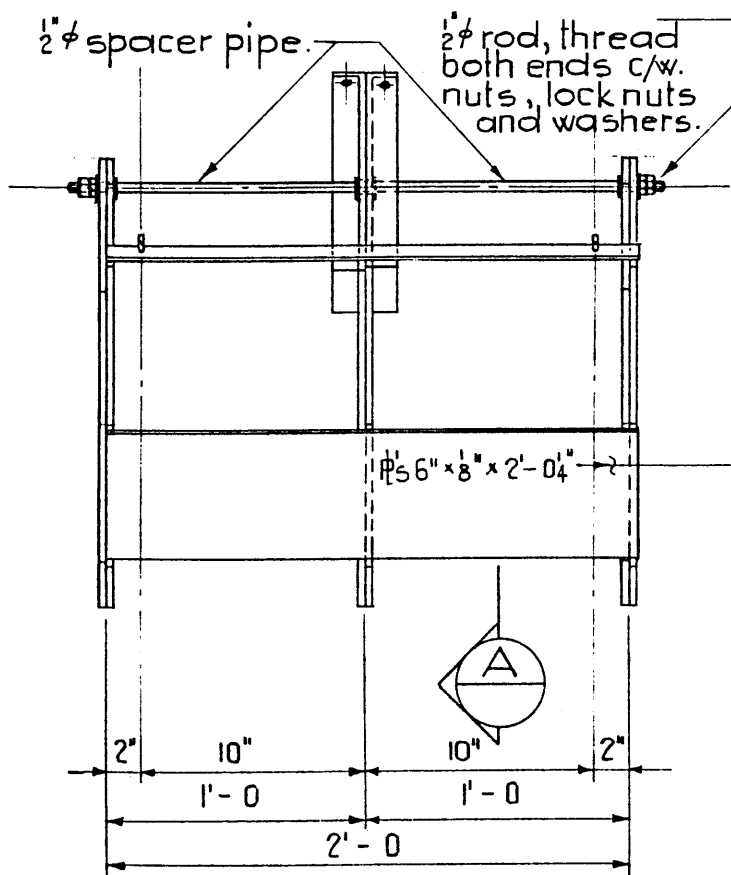
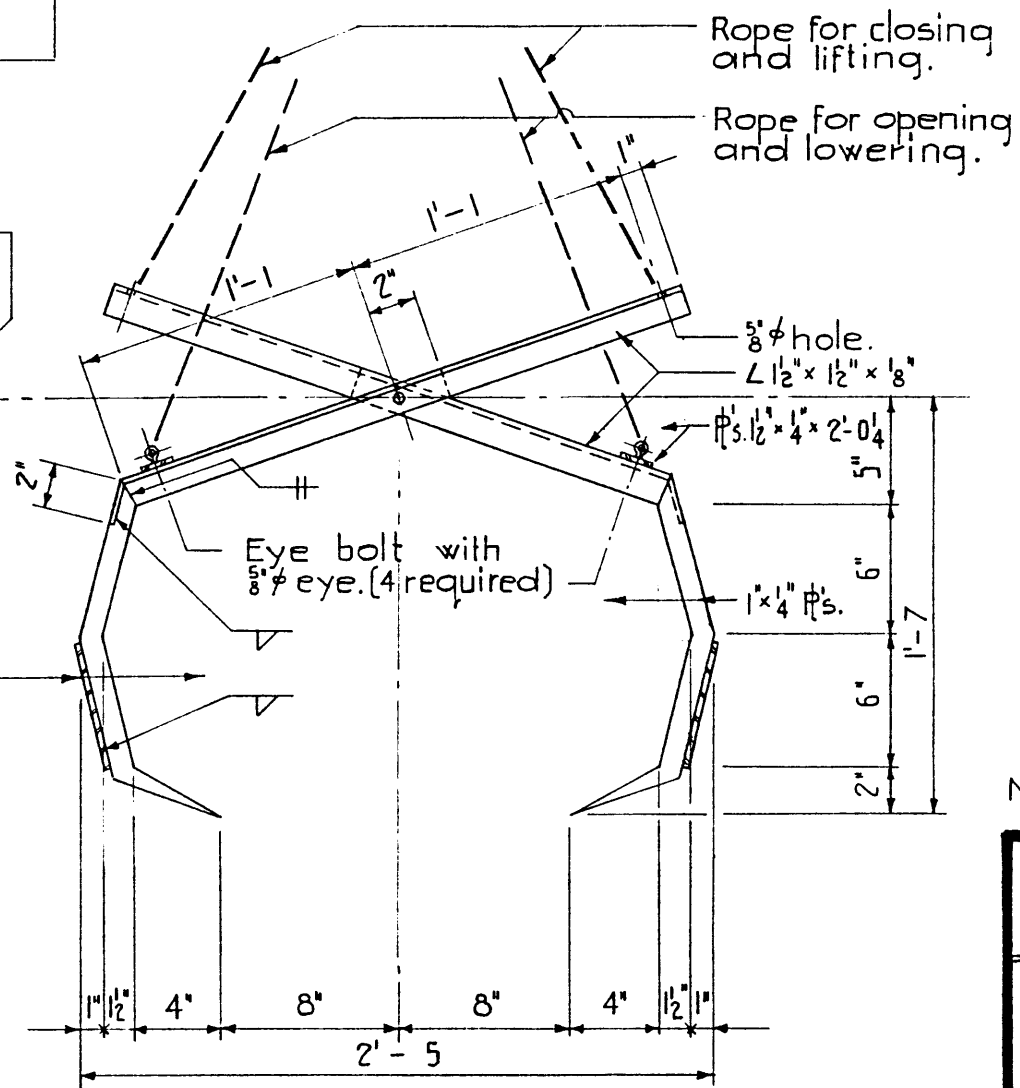


PLAN




ELEVATION



SECTION A-A

NOTE: Paint - 2 coats (Red)

 PROVINCE OF ALBERTA DEPARTMENT OF HIGHWAYS AND TRANSPORT BRIDGE BRANCH				
<h2>ICE SAMPLE TONGS</h2> <h3>FOR ICE PRESSURE RESEARCH</h3>				
DESIGN BY:	DATE	FILE No.	SHEET	DWG. No.
E. J. Sanden T. Belke	Jan. 1970	86 - 8	1 of 1	SI025-71

AT & U - RECORDS CENTRE

 F286164