

BAR LIST - 1 Pier 0° Skew

MARK	SIZE	NO	TYPE	"X"	"Y"	LENGTH	WEIGHT
B401	4	33	B			8'-4	184
B402	4	33	C			3'-2	70
B901	9	12	A	31'-8		34'-2	1394
B701	7	20	Sfr.			2'-4	95
B501	5	10	D	1'-9		5'-9	60
B403	4	2	Sfr.			31'-8	42
Total lbs:							1845

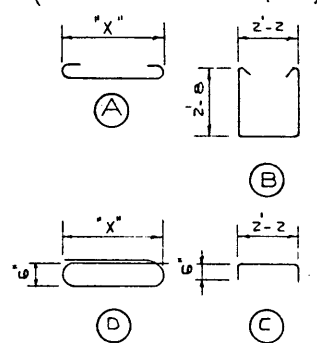
BAR LIST - 1 Pier 15° Skew

MARK	SIZE	NO	TYPE	"X"	"Y"	LENGTH	WEIGHT
B401	4	34	B			8'-4	189
B402	4	34	C			5'-2	72
B901	9	12	A	32'-8		35'-2	1435
B701	7	20	Sfr.			2'-4	95
B501	5	10	D	1'-9		5'-9	60
B403	4	2	Sfr.			32'-8	44
Total lbs:							1895

BAR LIST - 1 Pier 30° Skew

MARK	SIZE	NO	TYPE	"X"	"Y"	LENGTH	WEIGHT
B401	4	35	B			8'-4	212
B402	4	35	C			3'-2	80
B901	9	12	A	36'-8		39'-2	1538
B701	7	20	Sfr.			2'-4	95
B501	5	10	D	1'-9		5'-9	60
B403	4	2	Sfr.			36'-8	49
Total lbs:							2094

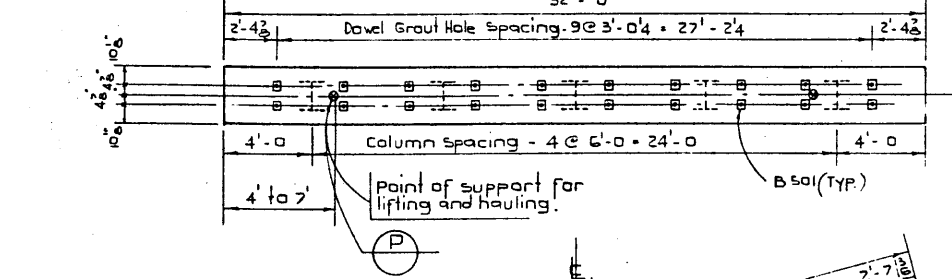
BAR TYPES:
(All dimensions are out-pout)



GENERAL NOTES:

- All requirements of the Bridge Branch Specification for the Supply of Structural Steel for Bridges. (Specification No. B186-64) shall be met, except that no shop paint shall be applied to H piles and 6" along edges of pier webs.
- All welding shall conform to A.W.S. Specification. When temperature is below 32°F preheat the base metal to at least 200°F for 3" both laterally and in advance of the welding. Welding shall not be done when the temperature is lower than 0°F unless protection is provided for the operator and the enclosure is heated to at least 70°F.
- Painting Specification: Pier webs shall receive one coat of primer in the shop and two finish coats in the field.
- H piles and 6" along edges of pier webs shall receive one coat of primer and two finish coats all applied in the field.
- Primer shall conform to CGSB Spec 1-6P-166A Type III and shall have a dry thickness of 1.5 to 2.5 mils.
- Before painting, all steel shall be sandblasted in accordance with SSPC-SP-6-63 T of the Steel Structures Painting Council. H piles shall be sandblasted after pier webs have been installed.
- Painting shall not commence until approval of the cleaning has been obtained from the Engineer.
- Steel for pier webs shall meet A.S.T.M. A36 or CSA G40.12.
- Steel H piles shall be driven to elevations shown on General Layout or to the following bearing values when bearing capacity is determined by a bearing formula.

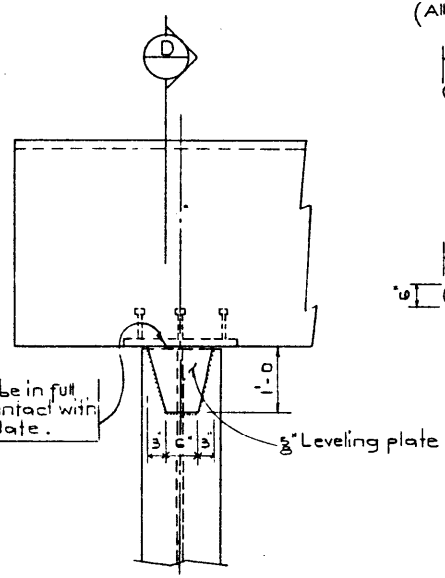
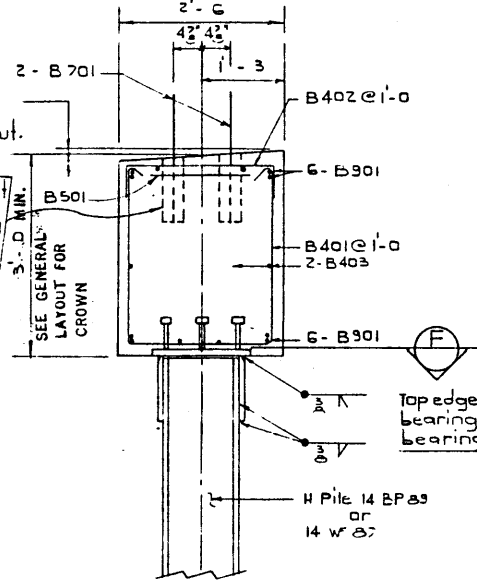
Span Length (Ft.)	35	40	45	50	55	60
Bearing Capacity (ton)	60	65	70	75	80	85
- Concrete shall be of standard weight aggregate with a maximum size of 3/4". Minimum compressive strength shall be 4000 p.s.i. at 28 days. Air entrainment shall be not less than 5%. Units are to conform to the requirements of the Bridge Branch Specifications for Manufacture of Precast Concrete Units, B-191-64.
- Pier caps shall be supported on top or bottom surface at points indicated during hauling.
- All exposed corners to have 3/8" fillet or chamfer.
- All concrete surfaces except top of pier cap shall be given a class 5 finish. Top of pier cap to be class 1.
- All reinforcing steel shall have 2" clear cover unless otherwise noted.
- Pier cap shall be plant cast in a single unit.
- Neoprene bearing pads:
 - 0° skew - 18" x 3/8" x 32'-0, 60 Hardness
 - 15° skew - 18" x 3/8" x 33'-0, 60 Hardness
 - 30° skew - 18" x 3/8" x 37'-0, 60 Hardness
- Weight of precast pier caps:
 - 0° skew - 36.0 kips
 - 15° skew - 37.1 kips
 - 30° skew - 41.4 kips



See General Layout for dimensions & elevations of steel webs. Not req'd for grade separations & railway overpasses.

For pier cap bevel see General Layout.

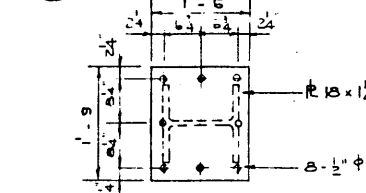
4" φ x 1'-0 dawl grout holes cast into seat. Forms are to be capped and remain sealed until dawls are to be grouted.



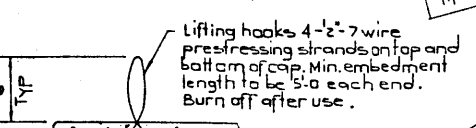
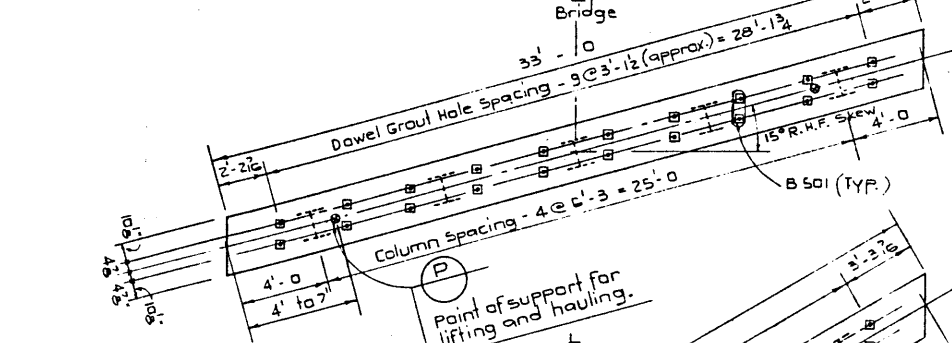
Top edge to be in full bearing contact with bearing plate.

SECTION D 3/4" = 1'-0

PART ELEVATION



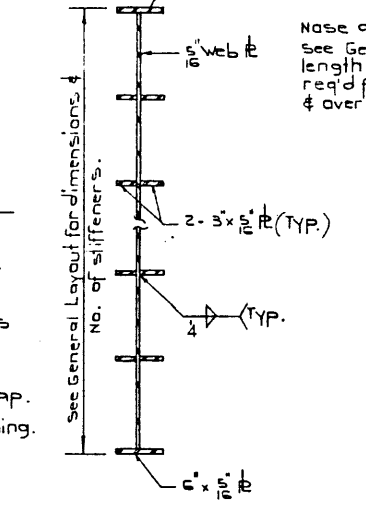
SECTION E 3/4" = 1'-0



P LIFTING HOOK DETAIL 1 1/2" = 1'-0

ERECTION PROCEDURE

1. Drive H piles.
2. Realign H piles if necessary.
3. Cut off H piles.
4. Install pier web and stiffeners.
5. Place cap.
6. Check for slope and position of cap.
7. Adjust cap if necessary by shimming.
8. Weld leveling plates.



SECTION C 3/4" = 1'-0

A TOP PLANS N.T.S.

APPROVED				PROVINCE OF ALBERTA DEPARTMENT OF HIGHWAYS AND TRANSPORT BRIDGE BRANCH			
CHIEF BRIDGE ENGINEER				STANDARD TYPE M BRIDGE 27 ROADWAY, R.H.F. SKEW PIER (H Piles)			
REVISIONS				DATE			
DESIGNED	DRAWN BY	DATE	CHECKED BY	DATE	STREAM	LOCATION	HWY. NO.
T. Belke	L. Kahlmann	June 1971					
						SCALE	FILE NO.
						SHEET	DWG. NO.
						OF	5-1035

ALBERTA RECORDS SERVICE