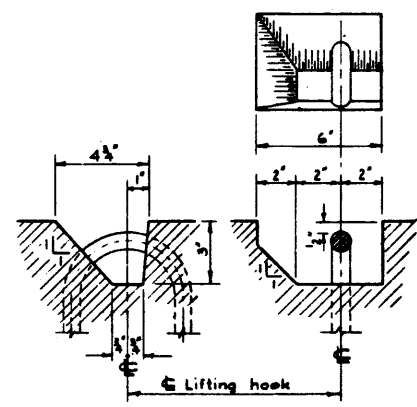


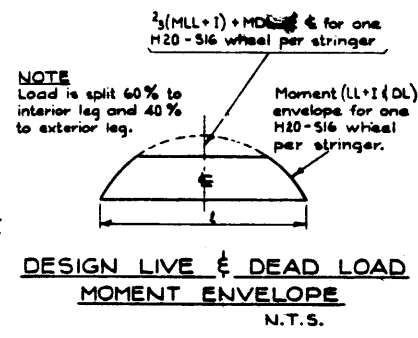
PLAN

Scale: 1"=1'-0"



LIFTING HOOK POCKET

Scale: 3"=1'-0"



DESIGN LIVE & DEAD LOAD MOMENT ENVELOPE

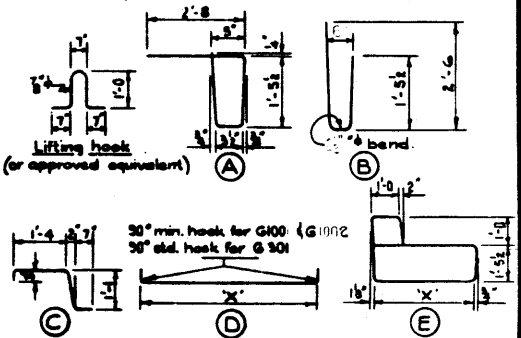
N.T.S.

BAR LIST						
Mark	Size	No.	Type	'X'	Length	Weight
C 301	3	33	C		3'-3	47
D 301	3	6	Str.		27'-3	62
D 401	4	1	Str.		27'-3	13
G 301	3	4	D	2'-7	3'-6	5
G 1001	10	3	D	27'-3	29'-1	375
G 1002	10	3	D	27'-2	28'-7	369
G 302	3	33	Str.		2'-3	33
S 303	3	2	E			
S 401	4	49	A		6'-0	196
S 402	4	49	B		4'-1	134

* For skewed stringers only. Total Lbs.: 1,232

BAR TYPES N.T.S.

(All bar dimensions are out to out.)



GENERAL NOTES

- DESIGN**
- Design truck
 - Dead Load—includes allowance for 2" wearing surface. Concrete to be standard weight aggregates with maximum aggregate size of 3/4". Minimum 28 day compressive strength to be 4000 p.s.i.

- CONSTRUCTION**
- Embedded air shall be not less than 5%.
 - Diameters of all bars shall conform to the recommended minimums and all hooks, unless otherwise noted shall conform to the recommended sizes detailed in the A.C.I. Manual of Standard Practice for Detailing Reinforced Concrete Structures.
 - Each stringer shall have a cast camber of 1/4 inch.
 - All acute angles on skewed stringers shall have 1/4 inch chamfer.
 - Concrete shall attain at least 30% of the specified 28 day compressive strength before the units are stripped from the forms or lifted.
 - Each connector is to be allowed one 3/4"x2" H.T. bolt, one heavy hex semi finished nut and three hardened washers. (Supplied by Dept.)
 - Stringers shall conform to the requirements of the Alberta Government Specification for the Manufacture of Precast Concrete Bridge Units.

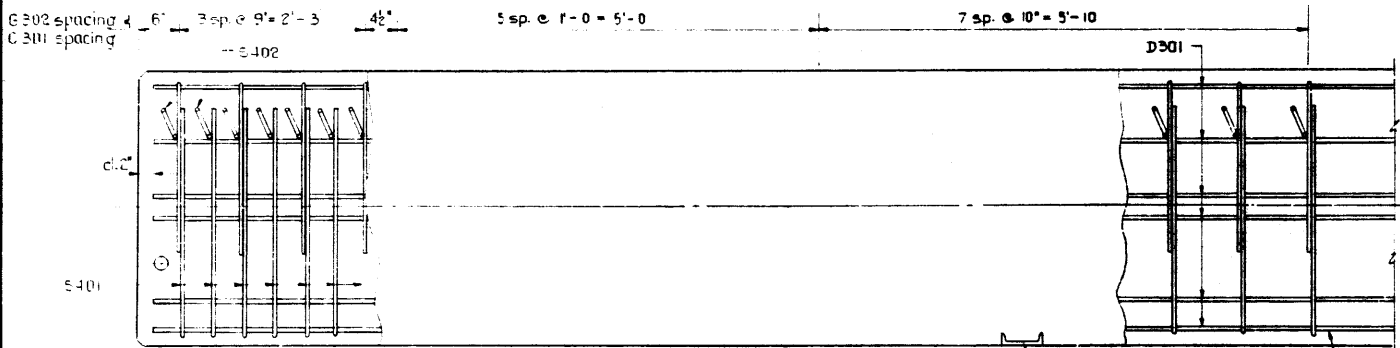
- ERECTION**
- Any free space between the connectors shall be filled with washers.

ANCHOR BOLT LOCATION FOR SKEWED ENDS N.T.S.

PRECAST CONCRETE
120,000 LB. LOADING
28 FT. SPAN TYPE HC
CURB STRINGER

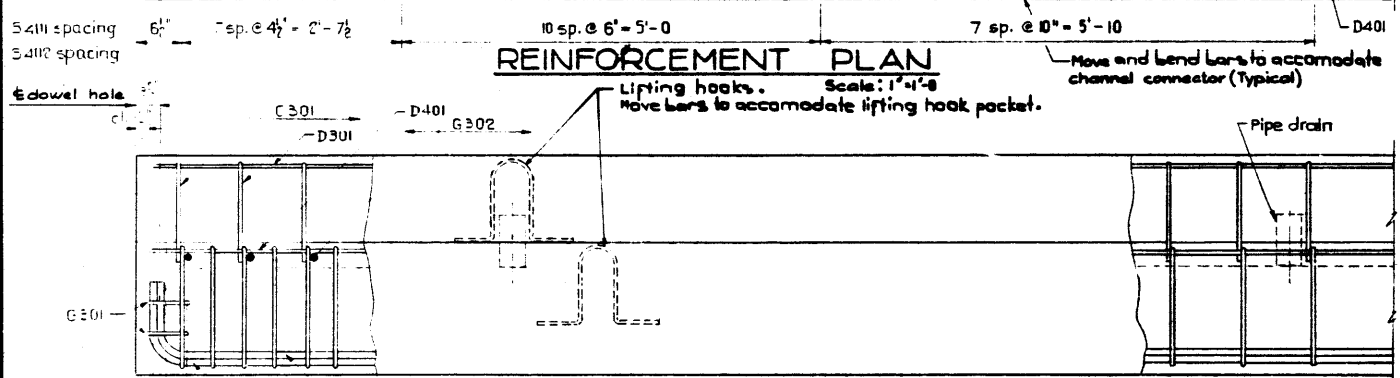
GOVERNMENT OF THE PROVINCE OF ALBERTA
DEPARTMENT OF HIGHWAYS
BRIDGE BRANCH, EDMONTON

FILE NO. _____ REV. NO. _____ DWG. NO. _____
LOCATION _____ SCALE AS SHOWN _____ SHEET _____ OF _____
S-1047



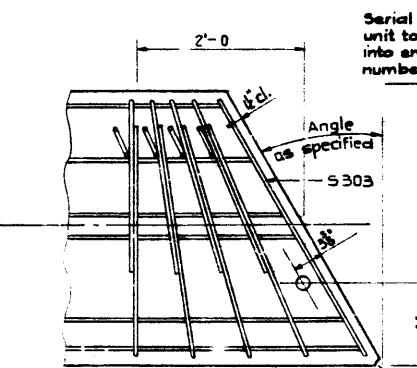
REINFORCEMENT PLAN

Scale: 1"=1'-0"



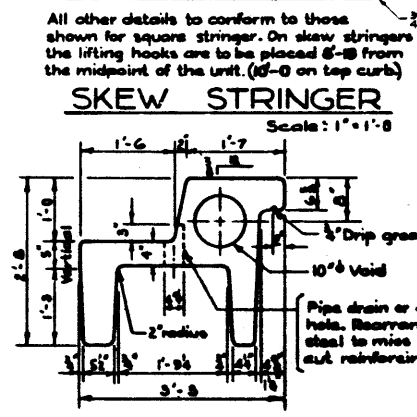
REINFORCEMENT ELEVATION

Scale: 1"=1'-0"



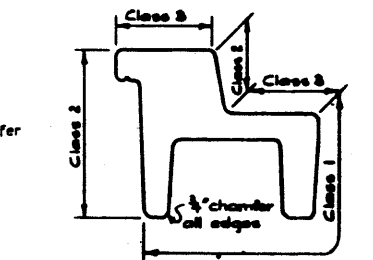
SKEW STRINGER

Scale: 1"=1'-0"



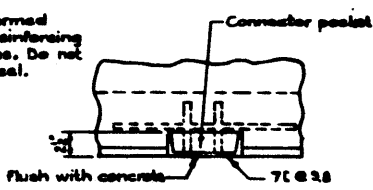
TYPICAL SECTION

Scale: 3/4"=1'-0"



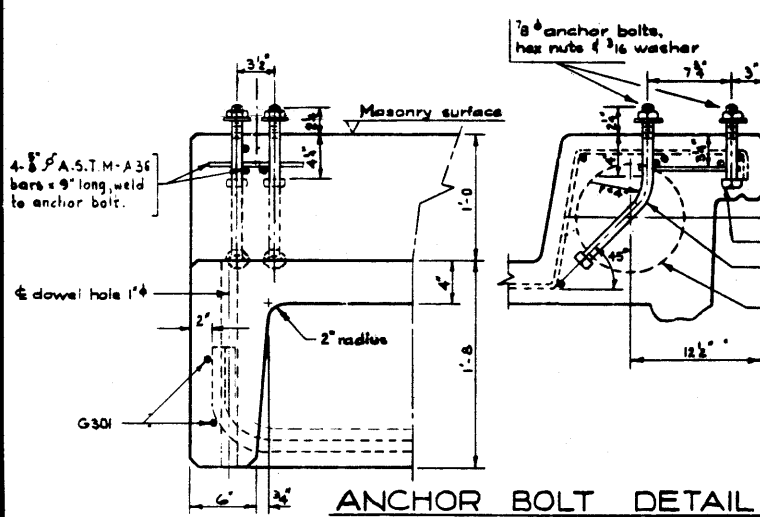
STRINGER FINISHES

Scale: 3/4"=1'-0"



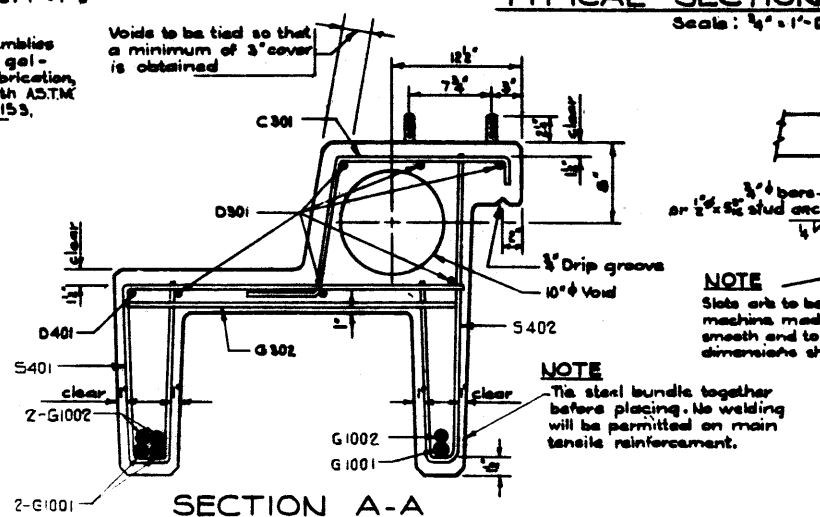
STRINGER CONNECTOR

Scale: 1 1/2"=1'-0"



ANCHOR BOLT DETAIL

Scale: 1 1/2"=1'-0"



SECTION A-A

Scale: 1 1/2"=1'-0"

NO.	DATE	DESCRIPTION	BY

DESIGNED BY: _____ DATE: _____
 CHECKED BY: _____ DATE: _____
 DRAWN BY: _____ DATE: _____