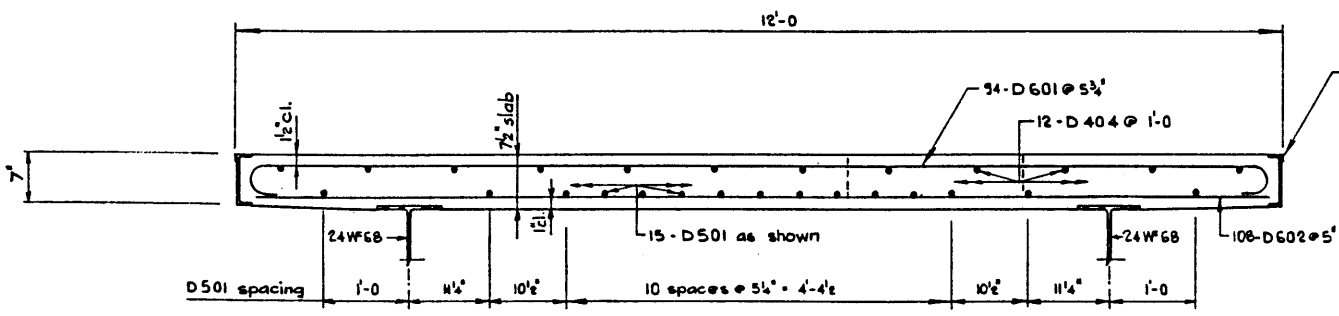
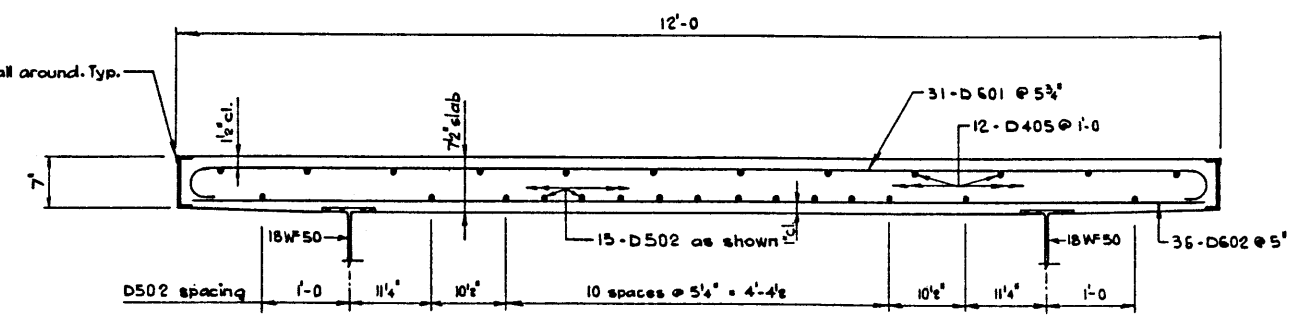


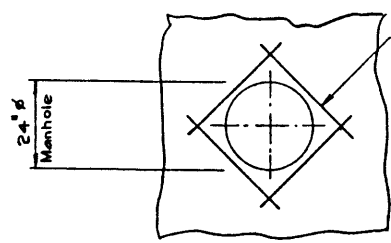
PLAN  
3/8" = 1'-0"



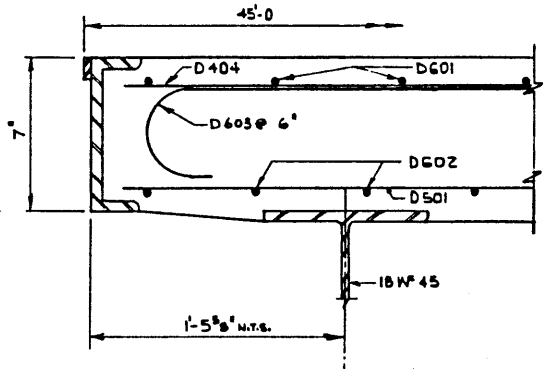
(A) SECTION  
1" = 1'-0"



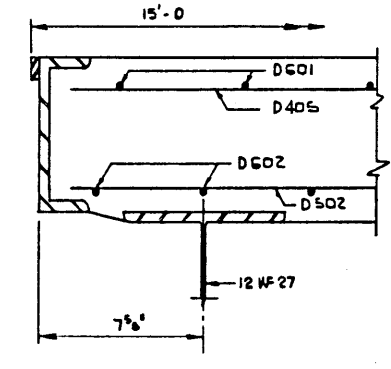
(B) SECTION  
1" = 1'-0"  
Except for Manhole.



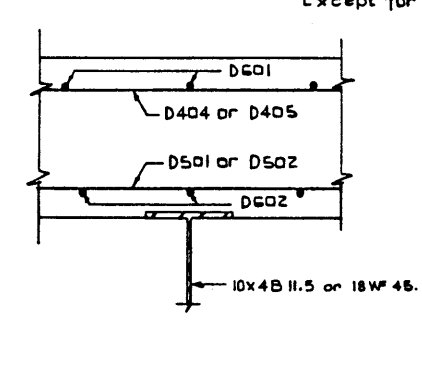
(P) DETAIL  
1 1/2" = 1'-0"



END BEAM 45 FT. PLATFORM  
3/8" = 1'-0"



END BEAM 15 FT. PLATFORM  
3/8" = 1'-0"



INTERIOR BEAM  
3/8" = 1'-0"

- GENERAL NOTES**
- All concrete to be 4000 p.s.i.
  - All concrete surfaces to be formed with oiled plywood or approved equivalent.
  - All reinforcing to have 2" clear cover unless otherwise noted.
  - Top of decks to be given a Class 4 - Sidewalk Finish.
  - Bottom of decks to be given a Class 1 - Ordinary Surface Finish.
  - See Dwg # 5-1049 for "BAR LISTS".

APPROVED		PROVINCE OF ALBERTA DEPARTMENT OF HIGHWAYS AND TRANSPORT BRIDGE BRANCH	
CHIEF BRIDGE ENGINEER		WEIGH SCALE STATION SCALE DECK DETAILS	
NO. 277	Revised and Redrawn	J.R.C.	
DATE	DESCRIPTION	BY	DATE
REVISIONS			
DESIGNED	DRAWN BY	DATE	CHECKED BY
J. Chaman	F. Buda	Aug. 71	[Signature]
DATE	DATE	STREAM	LOCATION
13 Aug 71			
HWY. NO.	SCALE	FILE NO.	SHEET
	shown	3235	..... of .....
DWG. NO.	S-1048-72		