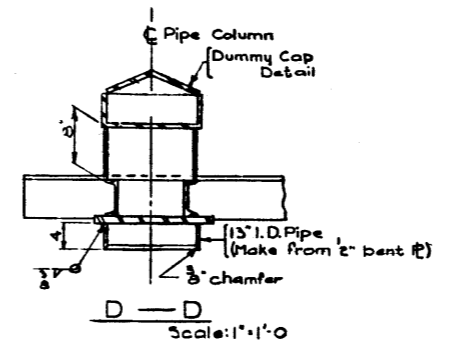
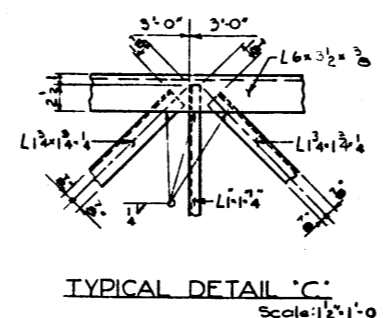
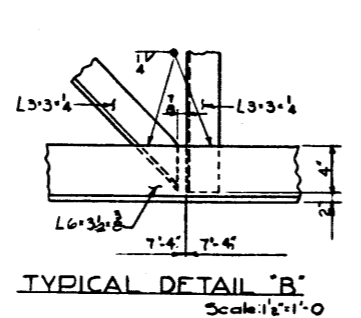
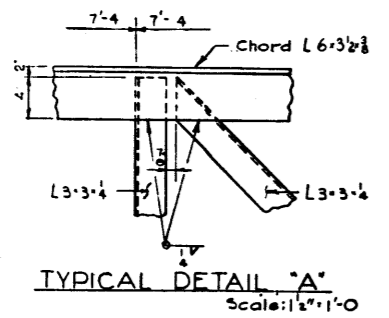
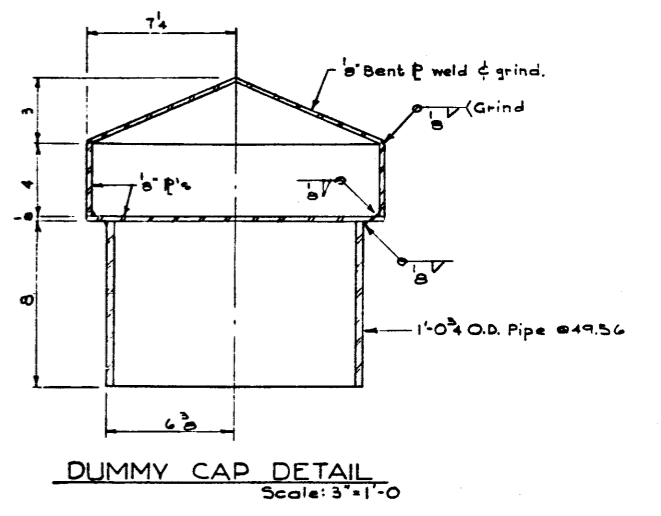
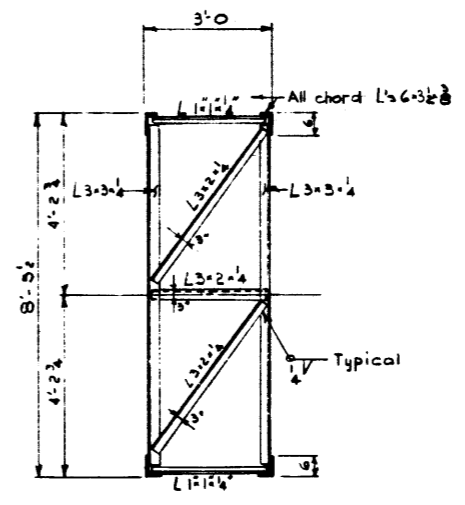
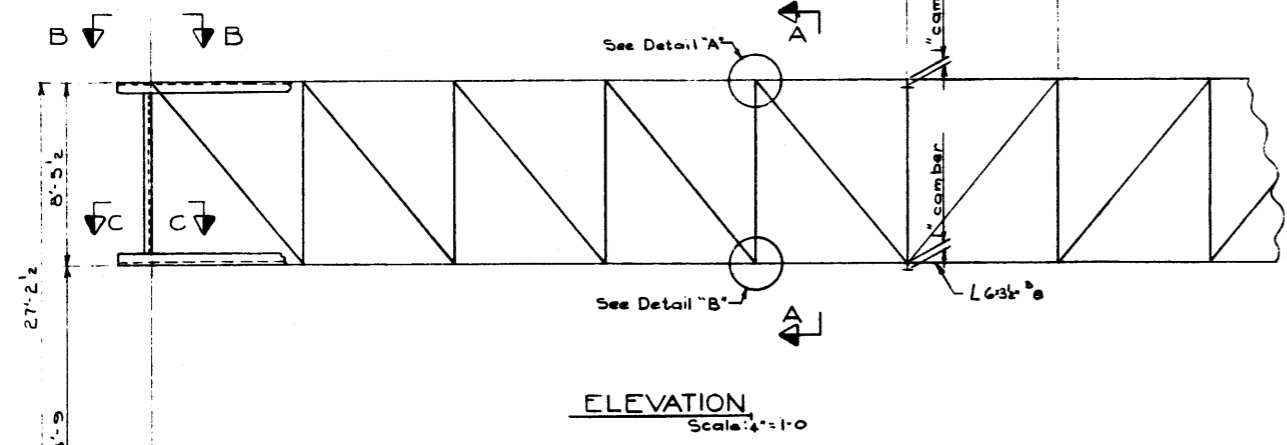
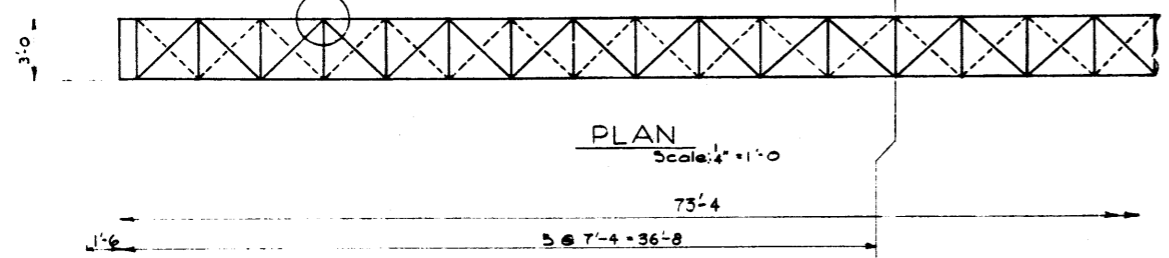


Alternate lower chord wind bracing as shown by dotted lines

Pipe Column

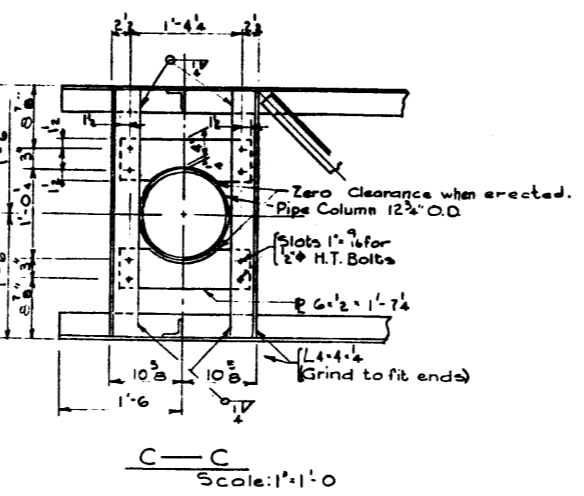
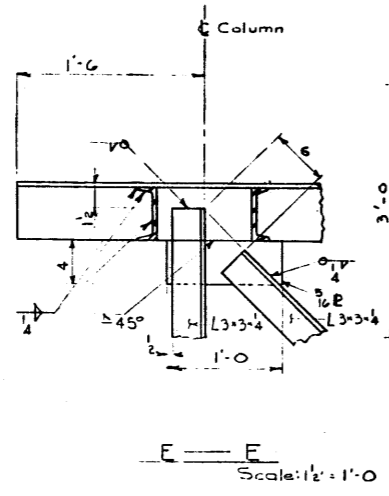
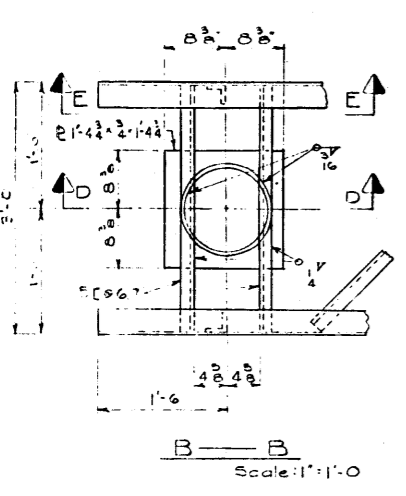
Sign Bridge Sym. except as shown.

11 @ 3'-0" = 33'-0"



NOTES:  
For "General Notes" see dwg. S-960, "Railing Details & Notes."

DESIGNED BY J. D. Sloan  
 CHECKED BY R. W. KARDLISEN  
 DATE Aug. 1971  
 DATE Aug. 1971  
 DATE Aug. 1971



Work this dwg. in conjunction with "Sign Structure Layout", "Post & Walkway Details" dwgs.

STANDARD SIGN BRIDGE  
 73'-+ SPAN  
 TRUSS DETAILS

GOVERNMENT OF THE PROVINCE OF ALBERTA  
 DEPARTMENT OF HIGHWAYS  
 BRIDGE BRANCH, EDMONTON

NO.	DATE	DESCRIPTION	BY

FILE NO. \_\_\_\_\_ HWY. NO. \_\_\_\_\_ DWG. NO. 5-1050  
 LOCATION \_\_\_\_\_ SCALE as noted SHEET OF \_\_\_\_\_