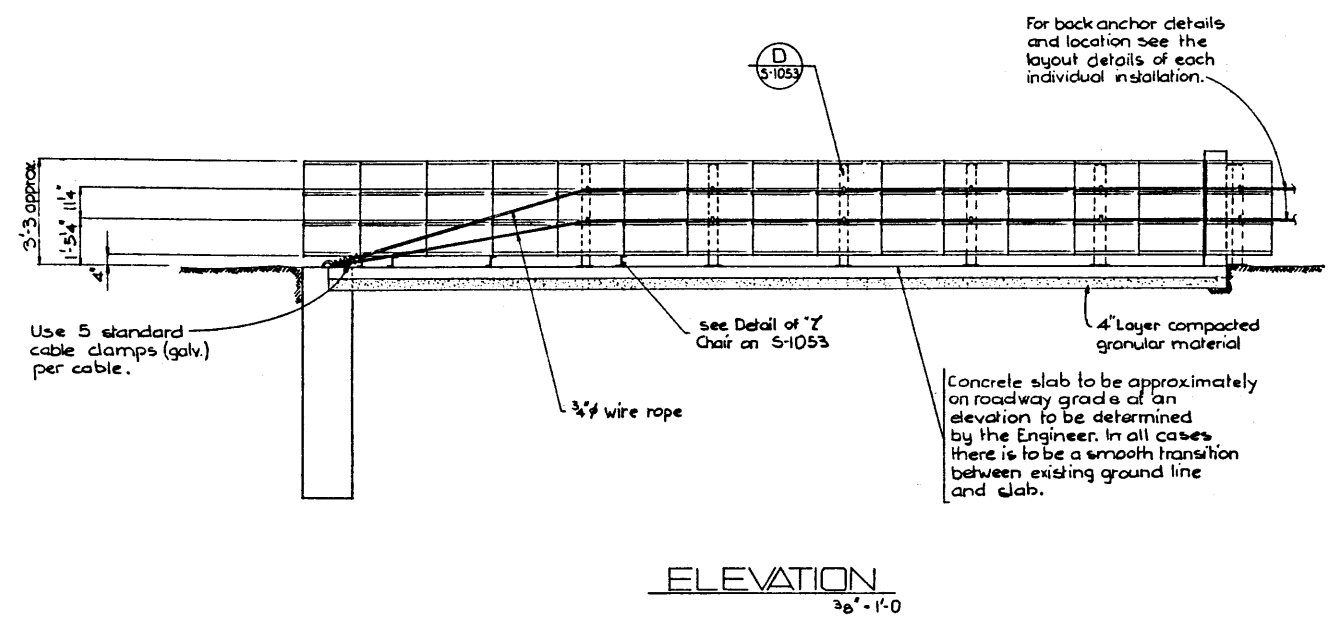
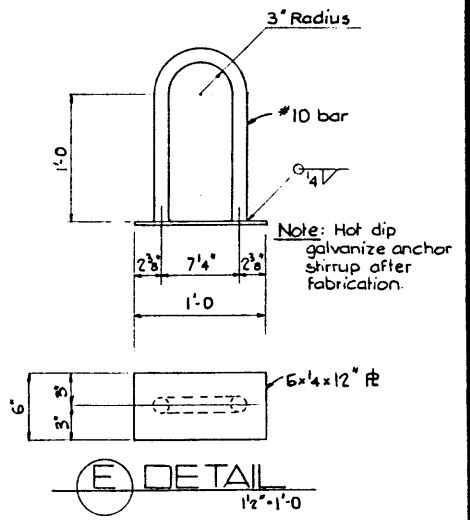
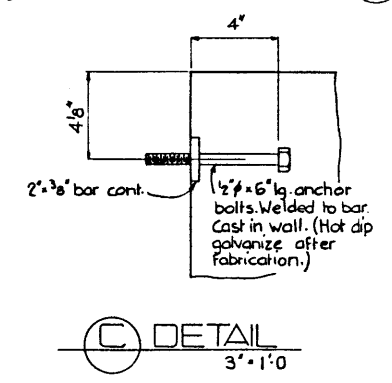
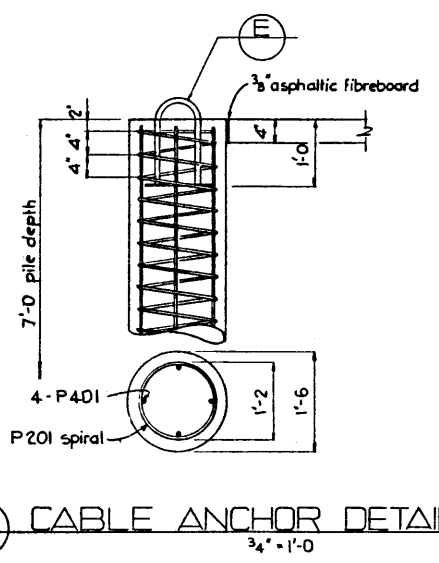
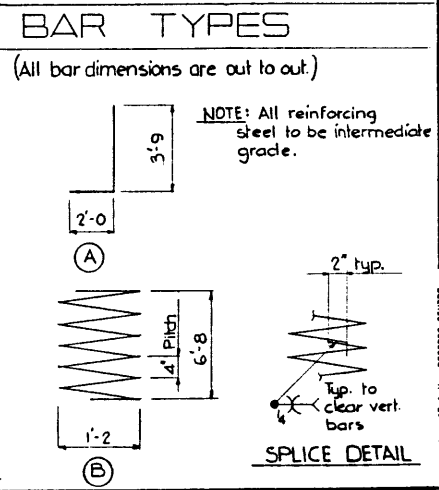


- LEGEND**
- - Drum Connector
 - ▣ - 3 1/2" - 4 1/2" Spacer
 - ▢ - 7 1/2" - 13 1/2" Spacer
 - ▧ - 13 1/2" - 25" Spacer
 - - 2" Chairs
- Note: Connectors and spacers at top and bottom of drums.

STEEL DRUM CRASH CUSHION ASSEMBLY
3/8" - 1'-0"



BAR LIST (1 ASSEMBLY)					
Mark	Size	No.	Type	Length	Weight
W 501	5	9	Str.	3'-9"	35
W 502	5	9	A	5'-9"	54
W 503	5	8	Str.	7'-8"	64
S 301	3	20	Str.	30'-0"	226
P 201	2	2	B	76'-0"	25
P 401	4	8	Str.	6'-8"	36
Total lbs :					440



APPROVED		PROVINCE OF ALBERTA DEPARTMENT OF HIGHWAYS AND TRANSPORT BRIDGE BRANCH									
<i>[Signature]</i> CHIEF BRIDGE ENGINEER		STEEL DRUM CRASH CUSHION SHEET #1									
DATE Oct 7/71											
DESIGNED R.G. Quinton (R.W. Lyne)	DRAWN BY I. Stanley	DATE Sept. 71	CHECKED BY	DATE	STREAM	LOCATION	HWY. NO.	SCALE as shown	FILE NO.	SHEET 1 OF 2	DWG. NO. S-1052