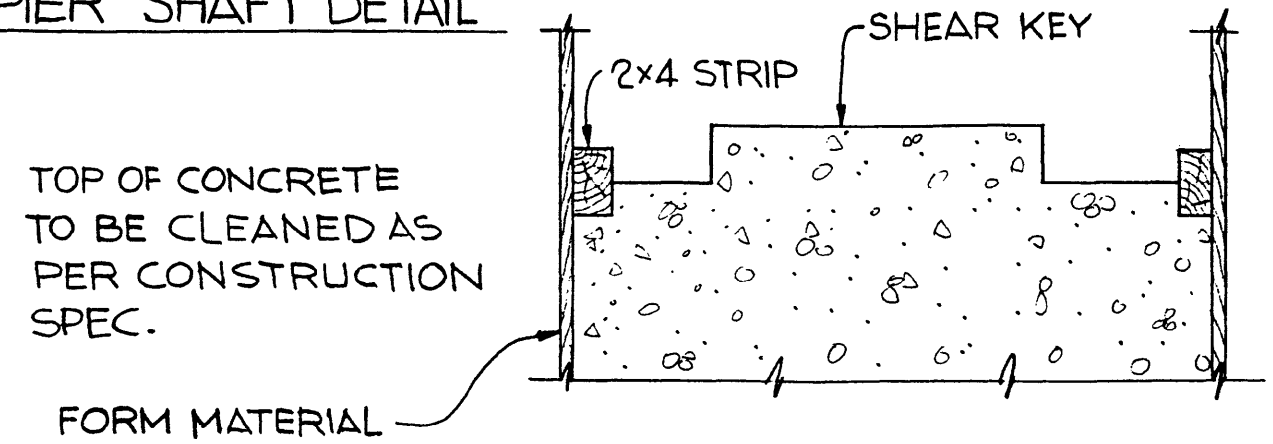
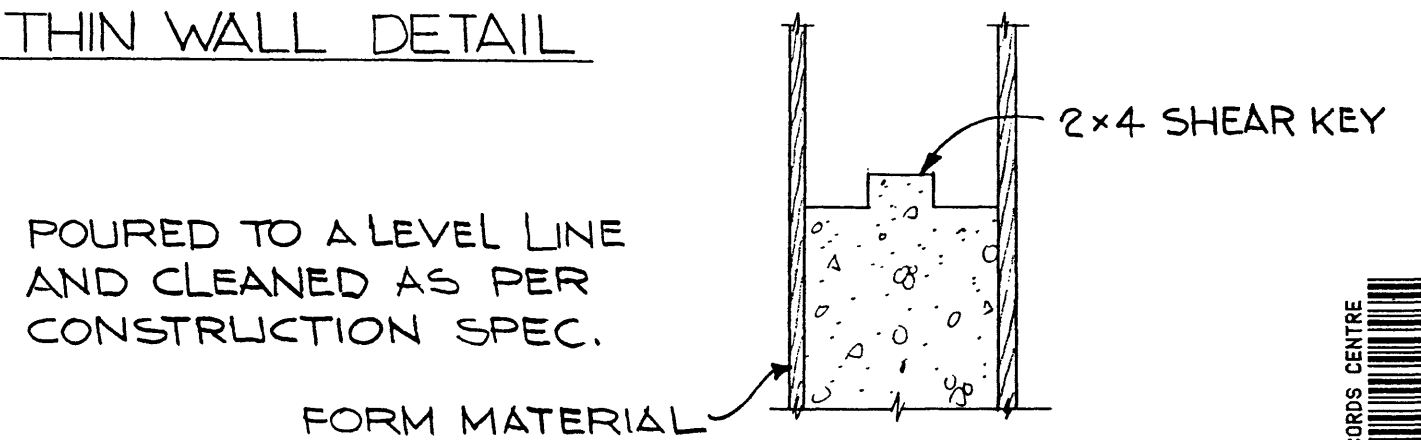


STANDARD CONSTRUCTION JOINT DETAILS

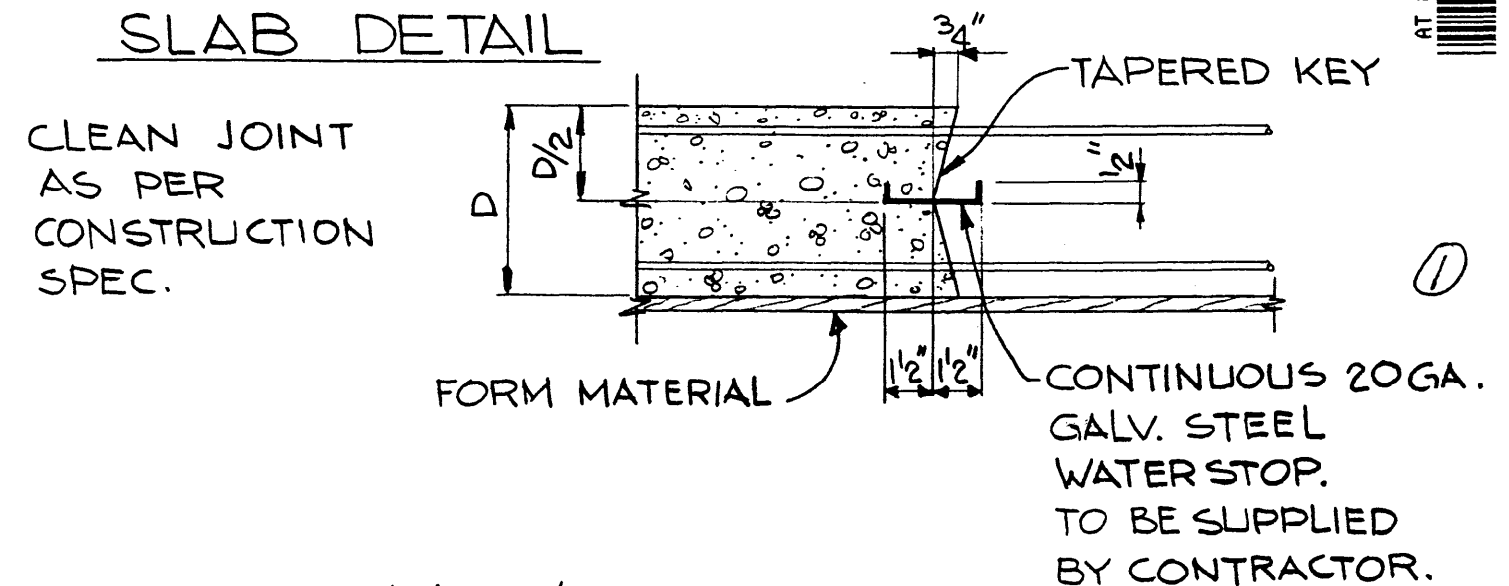
PIER SHAFT DETAIL



THIN WALL DETAIL



SLAB DETAIL



REDRAWN JULY 19/1973

S-1056

