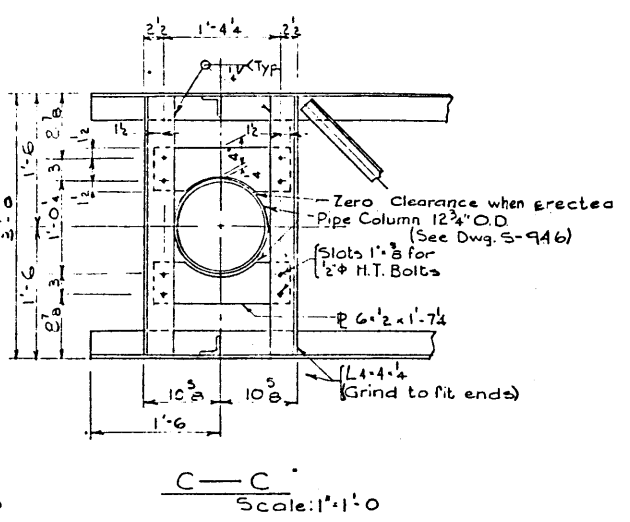
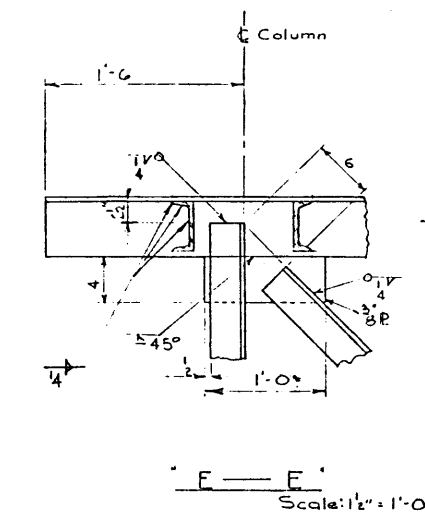
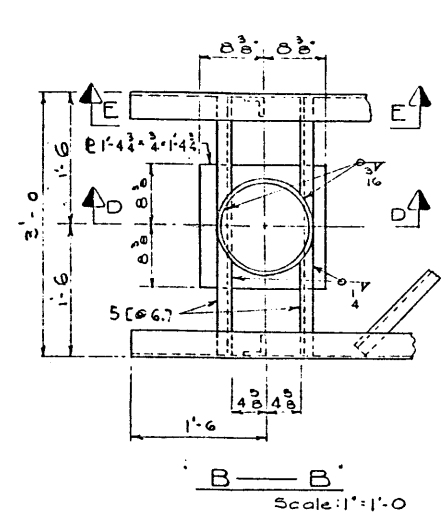
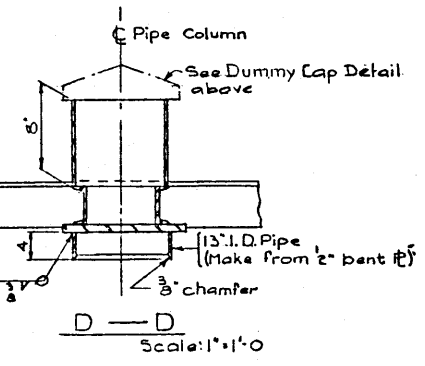
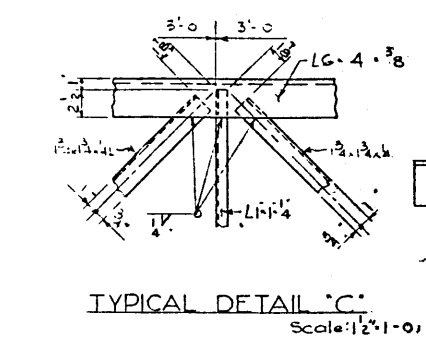
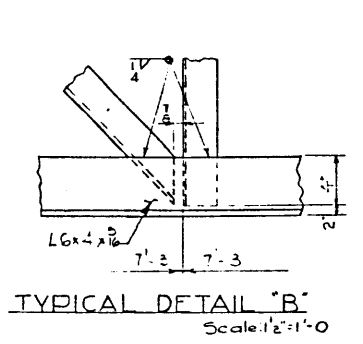
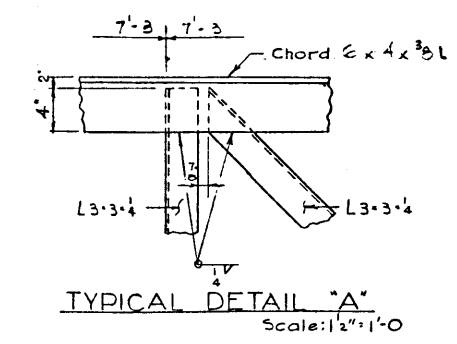
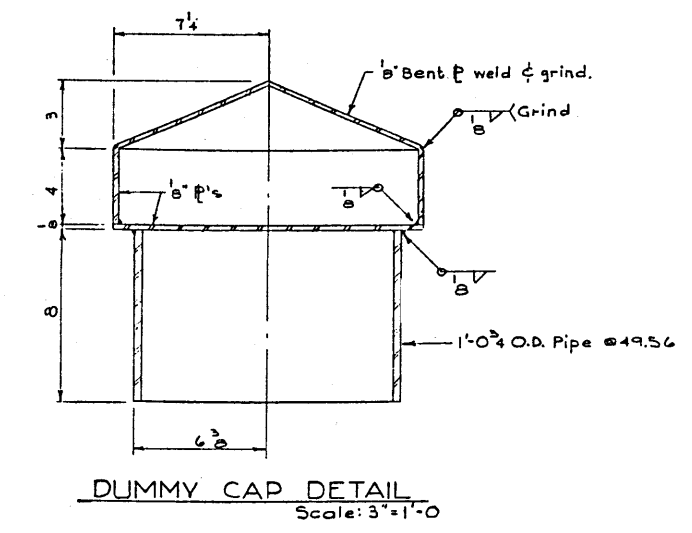
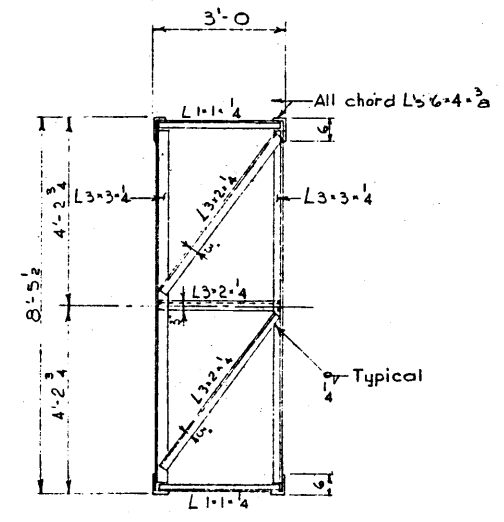
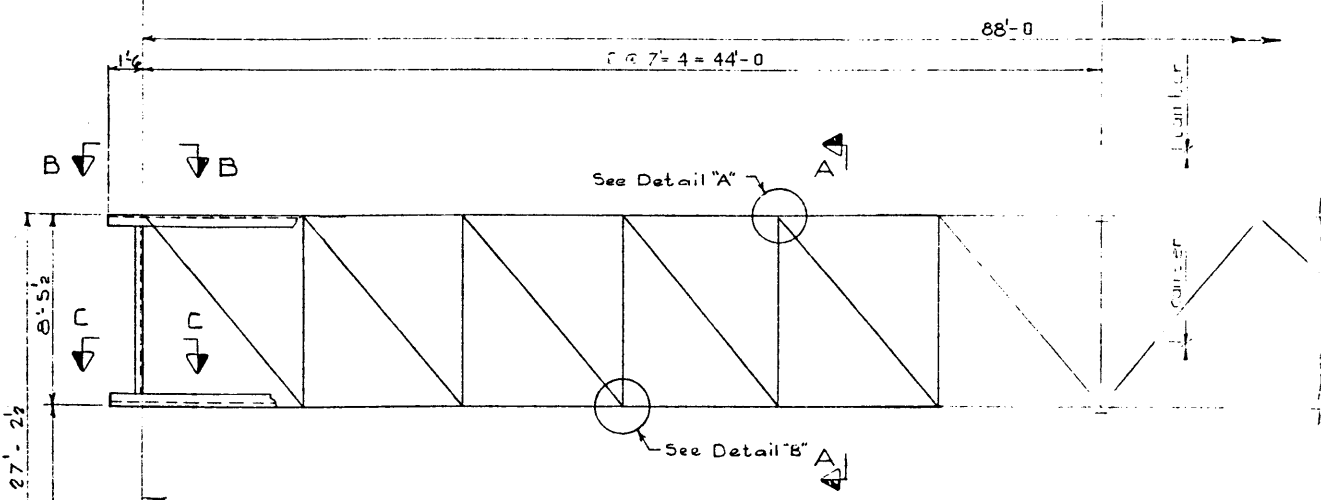
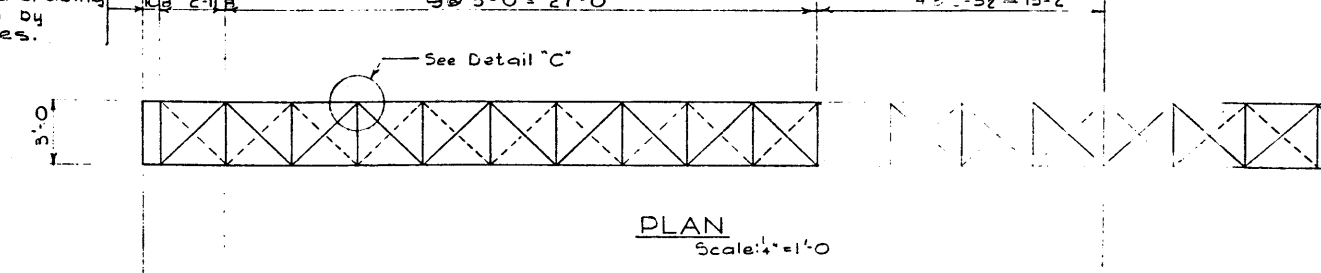


Alternate lower chord wind bracing as shown by dotted lines.

⊕ Pipe Column
 10' 2 1/2" 27' 0" 48' 3 3/2" = 13'-2"

Sign Bridge
 Sym. except as shown



NOTES:
 • For "General Notes" see Dwg. No. S-960, "Railing Details and Notes."
 • Work this dwg. in conjunction with "Sign Structure Layout," "Post," & "Walkway Details" dwgs.

APPROVED				PROVINCE OF ALBERTA DEPARTMENT OF HIGHWAYS AND TRANSPORT BRIDGE BRANCH			
CHIEF BRIDGE ENGINEER				STANDARD SIGN BRIDGE 88'-0 SPAN TRUSS DETAILS			
DATE				DATE			
REVISIONS							
DESIGNED	DRAWN BY	DATE	CHECKED BY	DATE	STREAM	LOCATION	HWY. NO.
RIX. QUINTON	M. FILIPAK	JULY 1972					
SCALE SHOWN						SHEET OF 5-1077	