

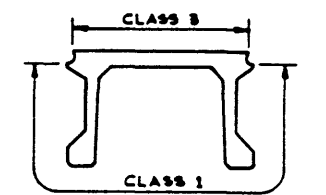
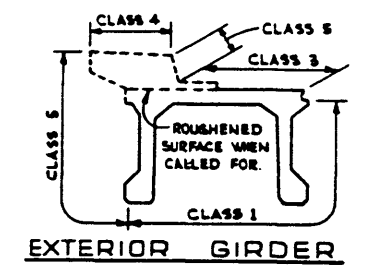
BAR LIST: FOR UNSKEWED GIRDER

MARK	SIZE	NO.	TYPE	X	Y	LENGTH	WEIGHT
S 301	3	252	C			1'-6	142
S 401	4	21	STR			26'-9	375
S 402	4	95	B			6'-4	402
S 501	5	188	STR			4'-9	931
T 401	4	130	A			5'-4	463
T 402	4	14	E			3'-0	28
T 601	6	4	D	4'-6		6'-6	39
D 601	6	4	D	4'-2		6'-2	37
D 602	6	4	D	5'-0		7'-0	42

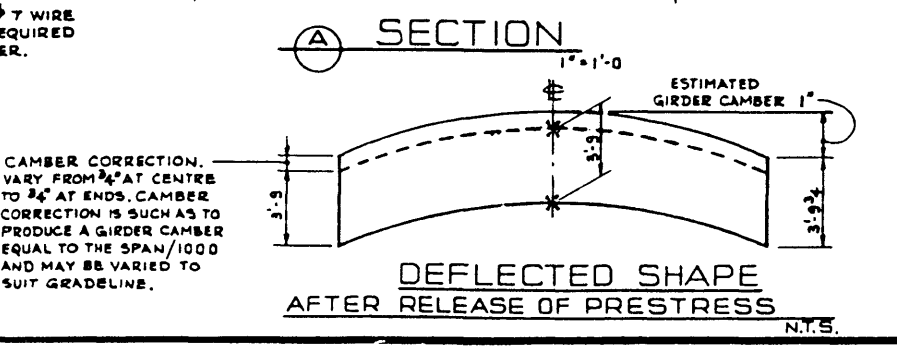
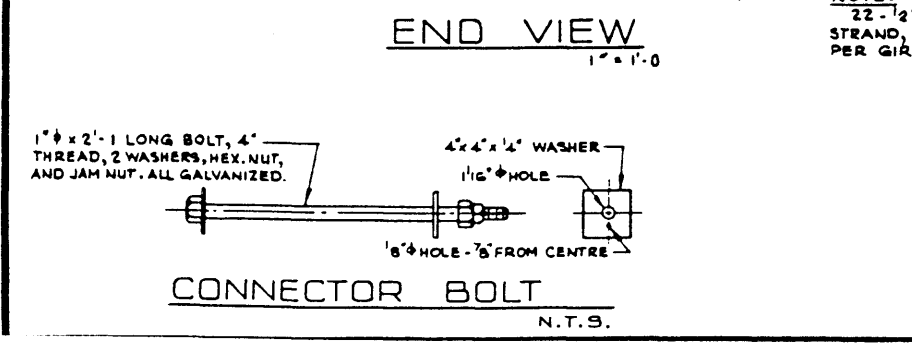
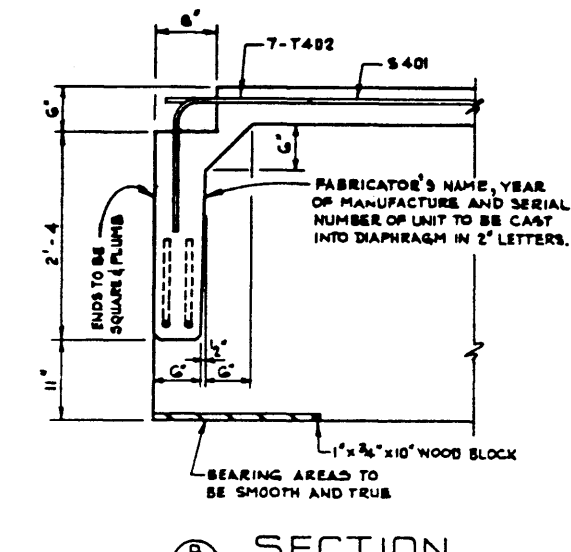
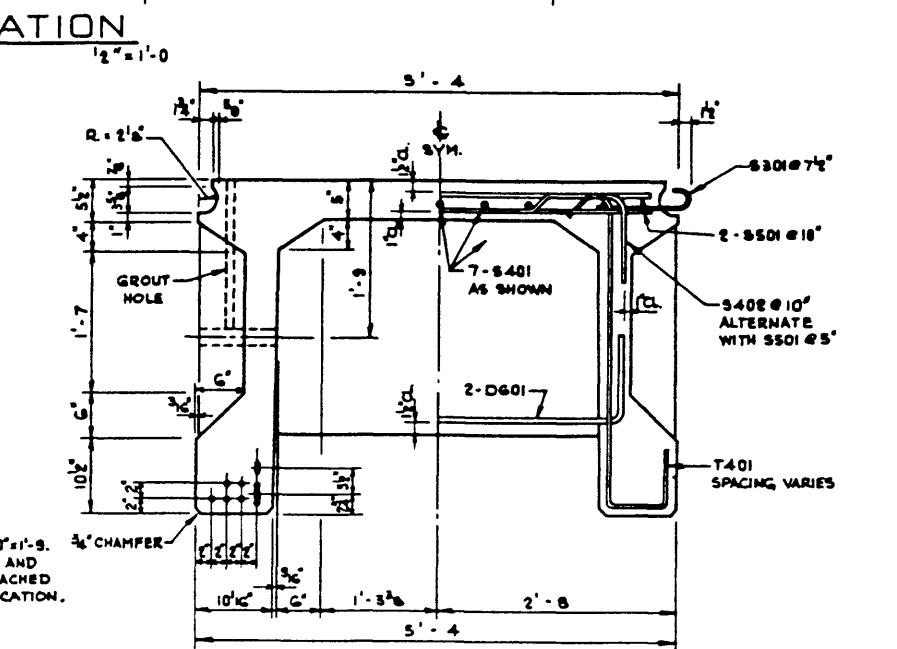
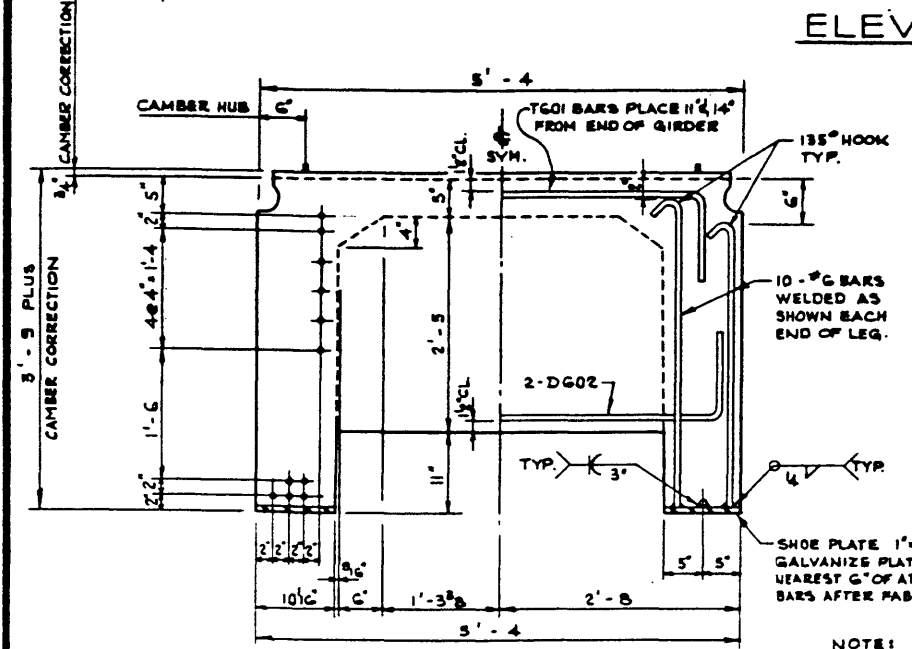
TOTAL LBS: 2,459


GENERAL NOTES:

- DESIGN:**
- A.A.S.H.O. 1969 SPECIFICATION EXCEPT ALLOWABLE FINAL CONCRETE STRESS = 330 PSI IN TENSION.
 - LOADING: 0.90 OF ONE WHEEL LINE OF AN HS 20-44 TRUCK PLUS FULL DEAD LOAD PLUS 2 1/2" WEARING SURFACE.
- MATERIALS:**
- CONCRETE SHALL BE MANUFACTURED USING LIGHTWEIGHT COARSE AGGREGATE AND SAND FINES. LIGHTWEIGHT AGGREGATE SHALL CONFORM TO THE REQUIREMENTS OF ASTM SPECIFICATION C 330 WITH MAXIMUM AGGREGATE SIZE OF 3/4". MINIMUM COMPRESSIVE STRENGTH SHALL BE 4,000 P.S.I. AT 28 DAYS. UNIT WEIGHT OF THE CONCRETE SHALL BE 120 LBS. PER CUBIC FOOT PLUS OR MINUS 3% IN THE PLASTIC STATE. ENTRAINED AIR SHALL BE NOT LESS THAN 3%.
 - PRESTRESSING STEEL SHALL BE 1/2" DIAMETER - 7 WIRE 270 K STRAND.
- FABRICATION:**
- GIRDERS SHALL CONFORM TO THE REQUIREMENTS OF THE ALBERTA BRIDGE BRANCH SPECIFICATION B 190-64 FOR THE MANUFACTURE OF PRESTRESSED CONCRETE BRIDGE UNITS.
 - REINFORCEMENT: DIAMETERS OF ALL BENDS SHALL CONFORM TO THE RECOMMENDED MINIMUMS AND ALL HOOKS, UNLESS OTHERWISE NOTED, SHALL CONFORM TO THE RECOMMENDED SIZES DETAILED IN THE A.C.I. MANUAL OF STANDARD PRACTICE FOR DETAILING REINFORCED CONCRETE STRUCTURES.
 - PRESTRESSING STEEL: INITIAL TENSIONING LOAD = 28.91 K/STRAND DESIGN LOAD = 23.24K/STRAND
 - CONCRETE MUST ATTAIN 3,500 P.S.I. COMPRESSIVE STRENGTH BEFORE THE PRESTRESSING FORCE IS TRANSFERRED.
 - GALVANIZING SHALL BE IN ACCORDANCE WITH ASTM SPECIFICATION A 153.
 - SHEAR KEYS AND BLOCKOUTS SHALL BE SANDBLAST ROUGHENED BY THE GIRDER FABRICATOR TO THE APPROVAL OF THE ENGINEER.
 - RIBS AND CONNECTOR BOLT HOLES SHALL BE OMITTED ON OUTSIDE LEGS OF EXTERIOR GIRDERS.
 - EXTERIOR GIRDER DIAPHRAGMS SHALL BE SPACED AT 13'-6" MAXIMUM.
 - CONNECTOR BOLTS, WASHERS, HEX NUTS, JAM NUTS AND ROOFOAM GASKETS SHALL BE SUPPLIED WITH THE GIRDERS.
- SECTION:**
- LIFTING FORCE AT EACH HOOK MUST BE VERTICAL AT ALL TIMES. GIRDER SURFACE MUST BE LEVEL AT ALL TIMES.



GIRDER FINISHES
N.T.S.



APPROVED		PROVINCE OF ALBERTA DEPARTMENT OF HIGHWAYS AND TRANSPORT BRIDGE BRANCH	
 DATE: Nov. 1, 1972		PRESTRESSED CONCRETE 80'-0 TYPE FC - 45' GIRDER LIGHTWEIGHT CONCRETE	
DESIGNED	DRAWN BY	DATE	CHECKED BY
T. BELKE	V.G.B	JUNE/72	[Signature]
REVISIONS		DATE	STREAM
		AL, 72	
LOCATION	HWY. NO.	SCALE	FILE NO.
		SHOWN	
SHEET			OF 5-1079