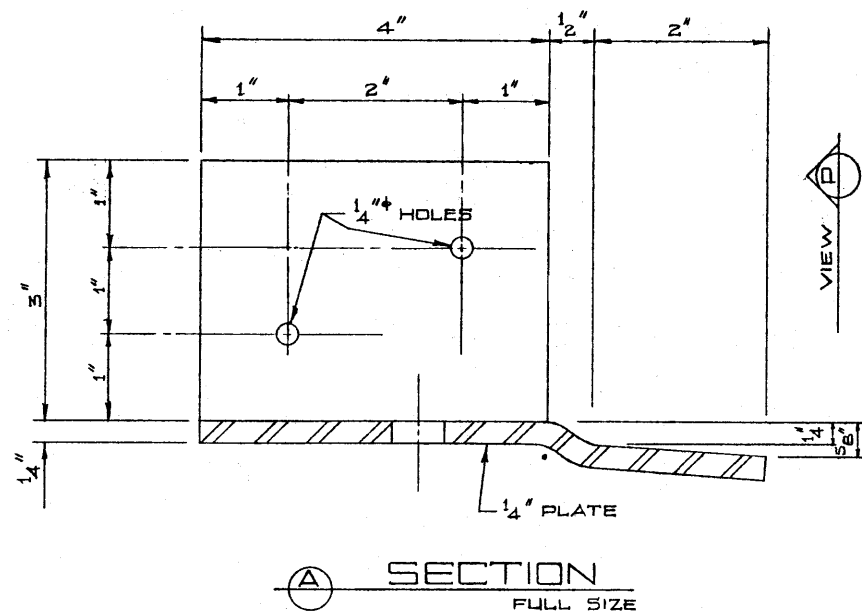
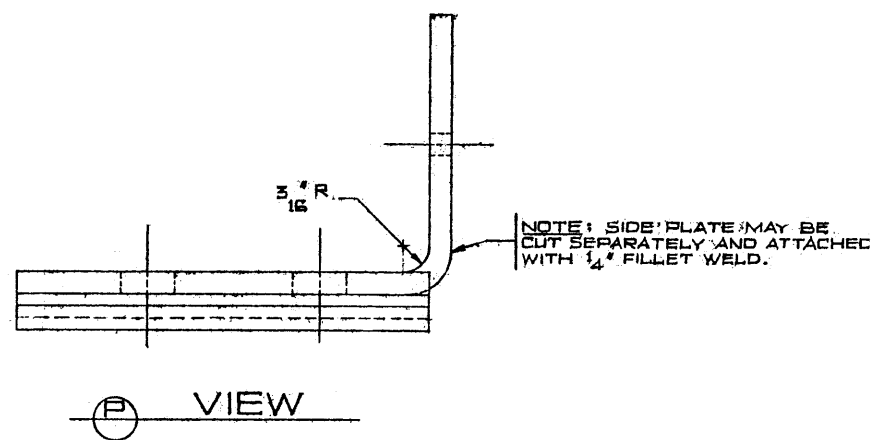


CLIP ATTACHMENT



SECTION A FULL SIZE



VIEW B

GENERAL NOTES

ALL STRUCTURAL STEEL SHALL CONFORM TO ASTM A36 OR C.S.A. G40.12

FABRICATION SHALL CONFORM TO THE BRIDGE BRANCH SPECIFICATION NO. B187-64.

SHOP PAINT SHALL CONFORM TO CGSB SPECIFICATION 1-GP-166 A TYPE III AND SHALL HAVE A DRY THICKNESS OF 1.5 TO 2.5 MILS.

PAINTING SHALL NOT COMMENCE UNTIL APPROVAL OF THE CLEANING HAS BEEN OBTAINED FROM THE ENGINEER.

SUPERSEDED

SUPERSEDED BY S-1083-73

DESIGNED R.V. KORNELSEN		DRAWN BY W.J. SORENSEN		DATE DEC. 1972		CHECKED BY		DATE		STREAM		LOCATION		HWY. NO.		SCALE AS SHOWN		FILE NO. 92		SHEET OF		DWG. NO. S 1083	
REVISIONS NO. DATE DESCRIPTION BY										APPROVED CHIEF BRIDGE ENGINEER DATE Jan 4, 1973		PROVINCE OF ALBERTA DEPARTMENT OF HIGHWAYS AND TRANSPORT BRIDGE BRANCH				PLATE CLIP FOR TIMBER SUBDECK							

ALBERTA RECORDS CENTER
7300110