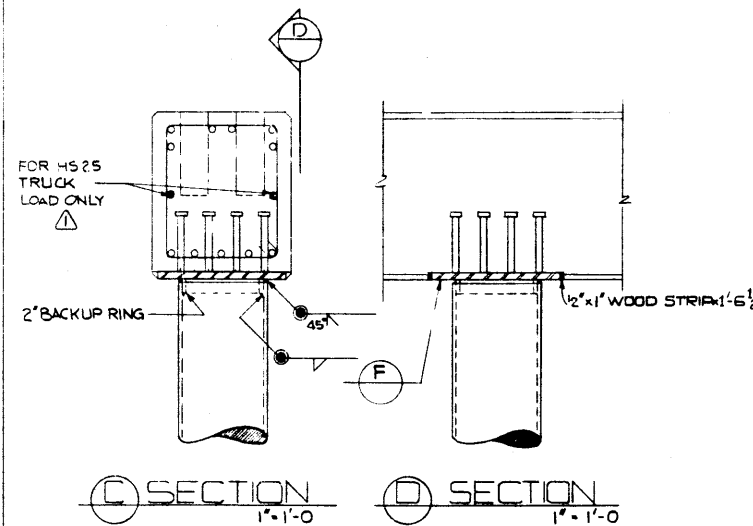
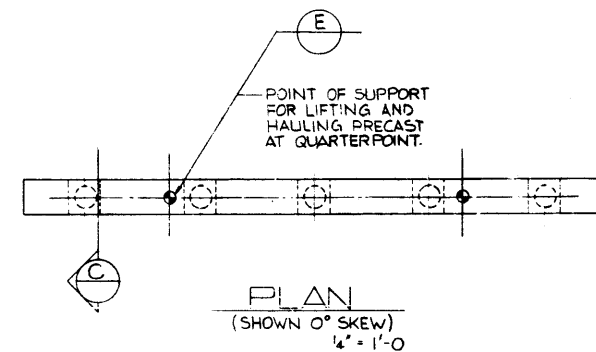
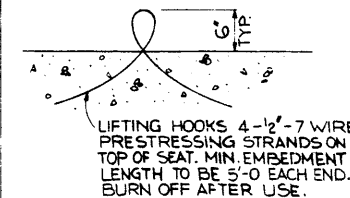


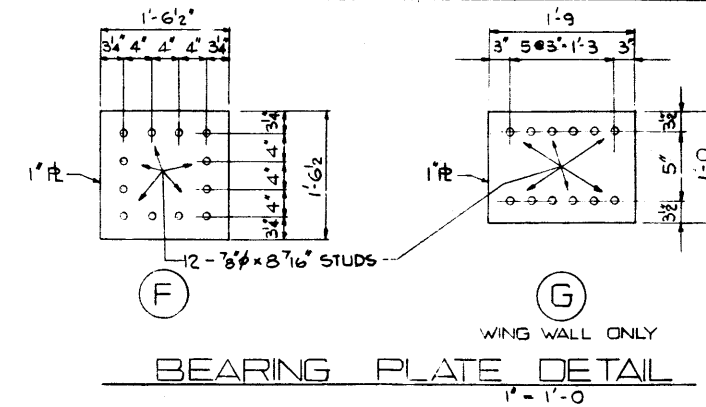
ABUTMENT CAP



PIER CAP



LIFTING HOOK DETAIL



ADDITIONAL REINFORCING FOR PRECAST

MARK	SIZE	NO.	TYPE	LENGTH	REMARKS
A 801	8	10	STR.	17'-0"	EACH ABUTMENT
A 802	8	2	STR.	17'-0"	EACH ABUTMENT
					DEPENDS ON SKEW
A 901	9	5	STR.	39'-3"	45° SKEW 24' ROADWAY
A 902	9	5	STR.	43'-6"	45° SKEW 27' ROADWAY
A 903	9	5	STR.	47'-9"	45° SKEW 30' ROADWAY
A 904	9	5	STR.	52'-1"	45° SKEW 33' ROADWAY

GENERAL NOTES:

- CONCRETE SHALL BE OF STANDARD WEIGHT AGGREGATE WITH A MAXIMUM SIZE OF 3/4". MINIMUM COMPRESSIVE STRENGTH SHALL BE 4000 P.S.I. AT 28 DAYS. AIR ENTRAINMENT SHALL BE NOT LESS THAN 5%. UNITS ARE TO CONFORM TO THE REQUIREMENTS OF THE BRIDGE BRANCH SPECIFICATIONS FOR MANUFACTURE OF PRECAST CONCRETE UNITS, B-191-64.
- ABUTMENT SEAT AND PIER CAP TO BE PLANT CAST ACCORDING TO DRAWING NO. S-1021-73 OR S-1089 EXCEPT AS MODIFIED IN THIS DRAWING.
- BEARING SEAT AND WING WALLS TO BE PLANT CAST IN A SINGLE UNIT.
- ALL WELDING SHALL CONFORM TO A.W.S. SPECIFICATION. PREHEAT THE BASE METAL TO AT LEAST 150° F. FOR 3" BOTH Laterally AND IN ADVANCE OF THE WELDING. WELDING SHALL NOT BE DONE WHEN THE TEMPERATURE IS LOWER THAN 0° F. UNLESS PROTECTION FROM WIND IS PROVIDED FOR THE OPERATOR AND WELD AREA.
- PRECAST CAPS TO BE IN UPRIGHT POSITION AND SUPPORTED AT POINTS INDICATED AT ALL TIMES.
- ALL REQUIREMENTS OF THE BRIDGE BRANCH SPECIFICATIONS FOR THE SUPPLY OF STRUCTURAL STEEL FOR BRIDGES (SPEC. NO. B 187-64).
- ALL STEEL SHALL MEET CSA G 40.12 OR ASTM. A 36.

CAP WEIGHTS (KIPS)

ROADWAY SKEW	ABUTMENT				PIER			
	24'	27'	30'	33'	24'	27'	30'	33'
0°	23.3	24.8	26.3	27.8	14.0	15.5	17.0	18.5
15°	24.2	25.7	27.3	28.8	14.5	16.1	17.6	19.2
30°	26.9	28.8	30.4	32.1	16.2	18.0	19.7	21.4
45°	33.0	35.1	37.2	39.4	20.0	22.0	24.1	26.2

ERECTION PROCEDURE:

- ALIGN PILES AND CUT OFF TO PROPER ELEVATION.
- PREPARE PILE TOPS FOR GROOVE WELD AND INSTALL BACK UP RING ON PIPE PILES.
- FILL PIPE PILES WITH PIPE PILE CONCRETE.
- PLACE CAP AND WELD TO PILES.

APPROVED CHIEF BRIDGE ENGINEER		PROVINCE OF ALBERTA DEPARTMENT OF HIGHWAYS AND TRANSPORT BRIDGE BRANCH	
REVISIONS DESIGNED: J.C. YIH DRAWN BY: I. STANLEY DATE: MARCH 73		CONCRETE, SUBSTRUCTURE FOR 33' & 38' HC. OR V.H. BRIDGES PRECAST ALTERNATE	
NO. DATE DESCRIPTION BY 1. 6.JULY/73 HS 25 TRUCK LOAD ADDED J.C.Y. 2. 6.JULY/73 V.H. ADDED IN TITLE R.W.K.		DATE: March 26, 1973 STREAM: _____ LOCATION: _____ HWY. NO.: _____ SCALE: _____ FILE NO.: _____ SHEET: _____ OF: 5-1085	