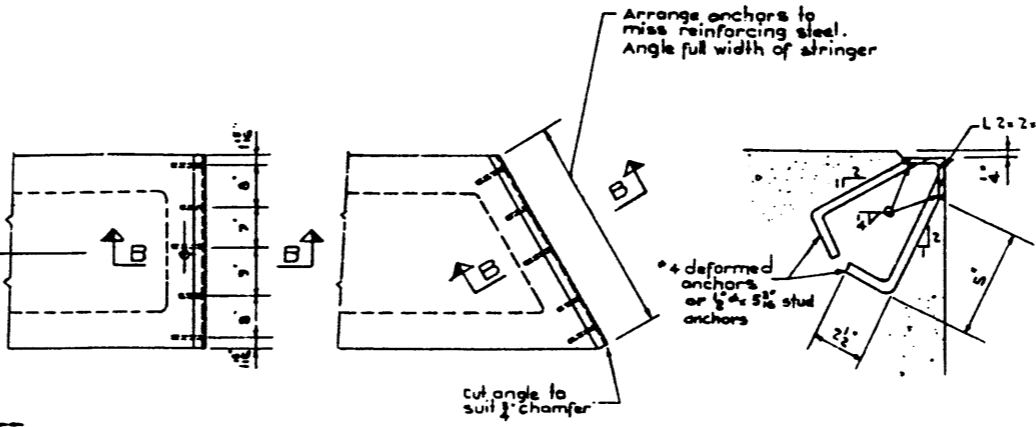


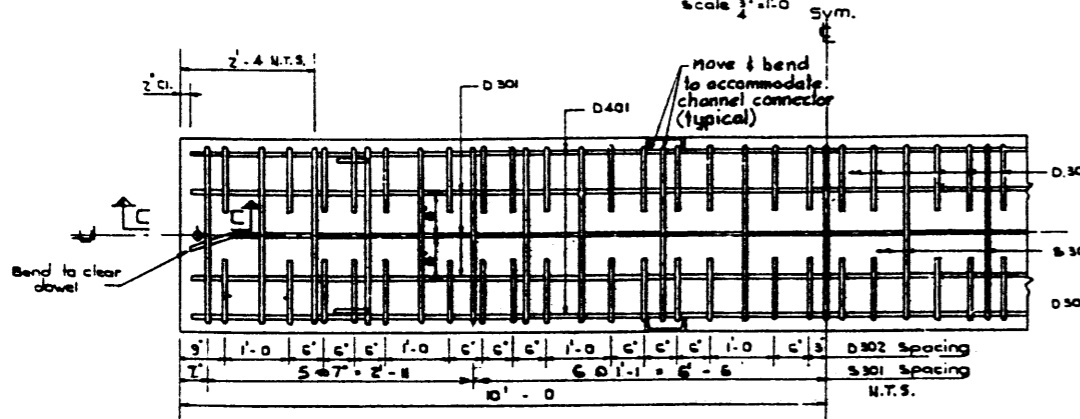
PLAN VIEW
Scale 3/4" = 1'-0"



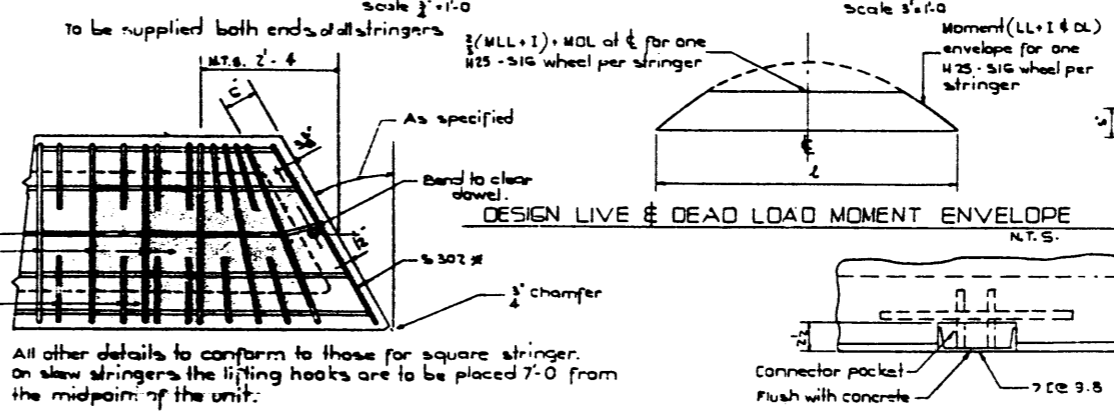
PROTECTION ANGLE
Scale 3/4" = 1'-0"

B - B
Scale 3/4" = 1'-0"

MARK	SIZE	NO	TYPE	X	LENGTH	WEIGHT
D 301	3	3	Str.		19' - 0"	22
D 302	3	20	A		1' - 0"	32
S 301	3	25	B		9' - 0"	80
D 401	4	2	Str.		19' - 0"	25
D 501	5	20	Str.		7' - 0"	15
G 802	8	2	Str.		16' - 0"	85
G 801	8	4	D		20' - 0"	222
G 301	3	4	C		3' - 4"	5
S 302	3	2	E		7' - 0"	15
D 303	3	20	Str.		7' - 0"	20
* For skewed stringer only						Total weight: 584

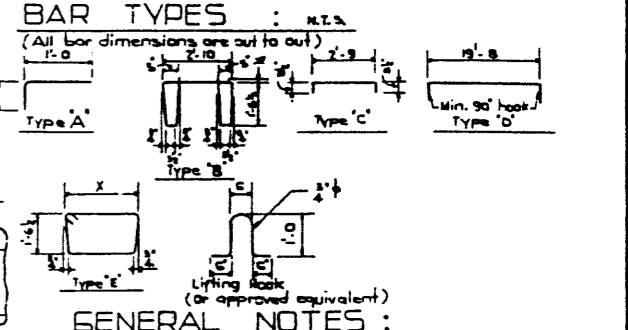


REINFORCEMENT PLAN
Scale 3/4" = 1'-0"

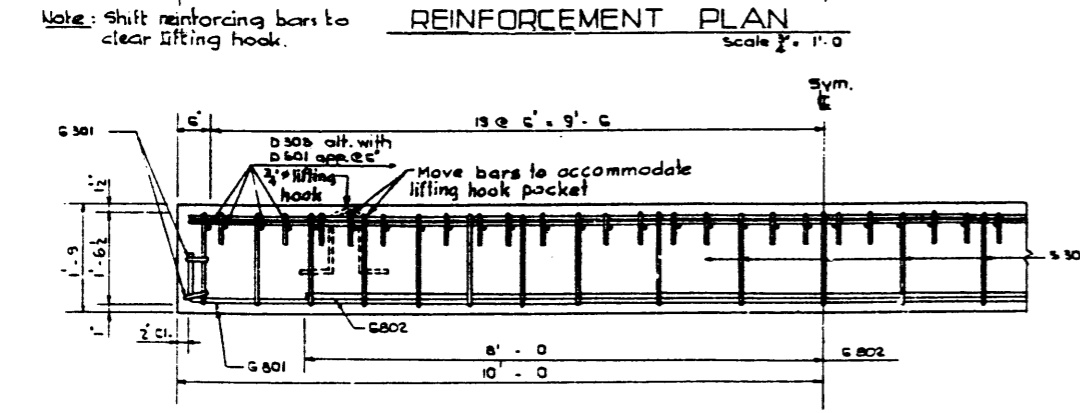


SKEW STRINGER
Scale 3/4" = 1'-0"

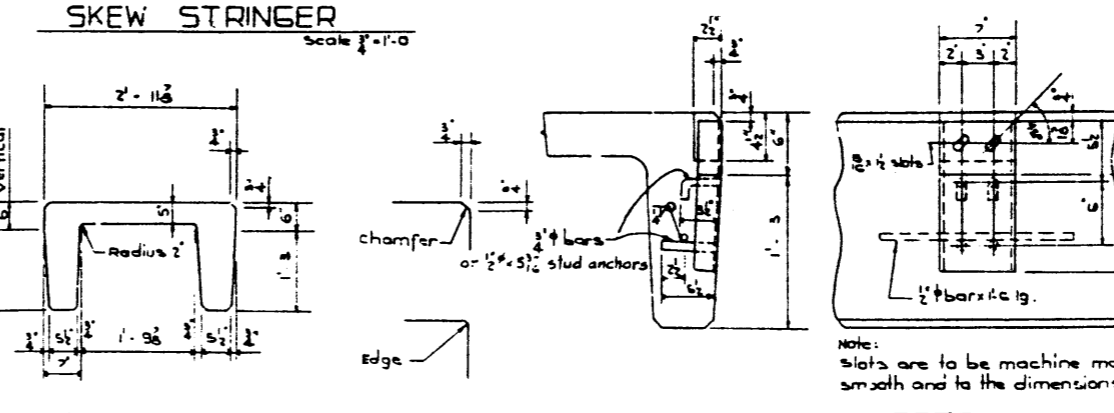
STRINGER CONNECTORS
Scale 1/2" = 1'-0"



GENERAL NOTES: DESIGN

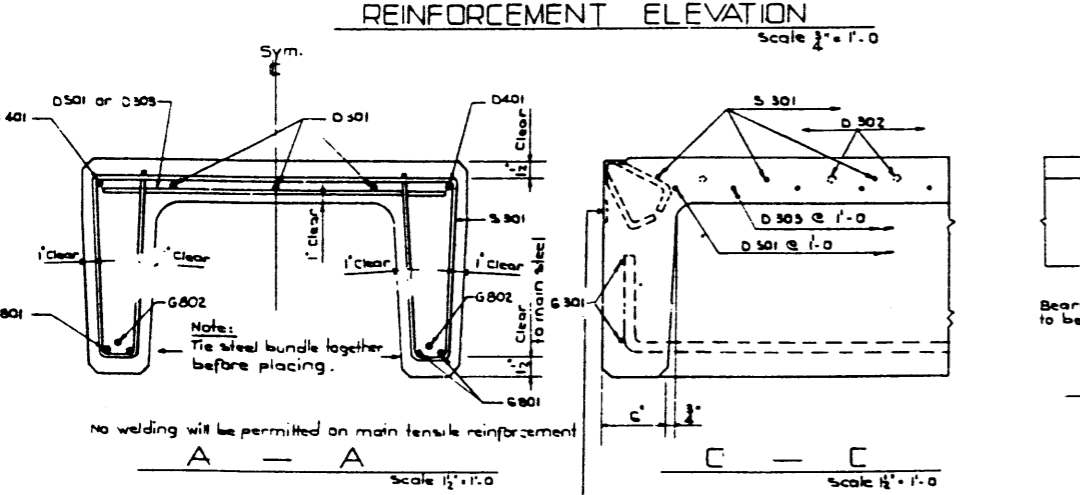


REINFORCEMENT ELEVATION
Scale 3/4" = 1'-0"

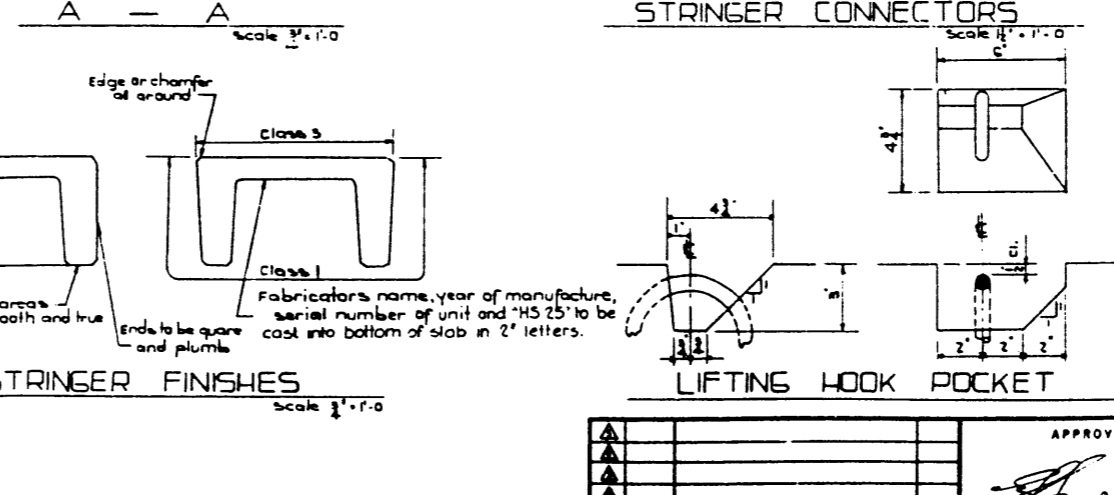


STRINGER FINISHES
Scale 3/4" = 1'-0"

LIFTING HOOK POCKET
Scale 1/2" = 1'-0"



A - A
Scale 1/2" = 1'-0"



C - C
Scale 1/2" = 1'-0"

CONSTRUCTION

Entrained air shall be not less than 5%.
Diameters of all bars shall conform to the recommended minimums and all hooks, unless otherwise noted shall conform to the recommended sizes detailed in the A.C.I. Manual of Standard Practice for Detailing Reinforced Concrete Structures.
Each stringer shall have a cast chamfer of 1/2" x 1/2".
All acute angles on skewed stringers shall have 1/2" chamfer.
Concrete shall attain at least 30% of the specified 28 day compressive strength before the units are stripped from the forms or lifted.
Each connector is to be allowed one 1/2" x 1/2" N.T. bolt, one heavy hex semifinished nut and three hardened washers (supplied by Dept.)
Stringers shall conform to the requirements of the Alberta Government Specification for the Manufacture of Precast Concrete Bridge Units.

ERECTION

Any free space between the connectors shall be filled with washers.

APPROVED		PROVINCE OF ALBERTA DEPARTMENT OF HIGHWAYS AND TRANSPORT BRIDGE BRANCH	
 CHIEF BRIDGE ENGINEER		PRECAST CONCRETE 20 FT. SPAN TYPE 'VH' INTERIOR STRINGER	
DESIGNED: J.C. YIH CHECKED: L.K. (L.S.) DATE: JULY 18/1973		REVISIONS NO. DATE DESCRIPTION BY	