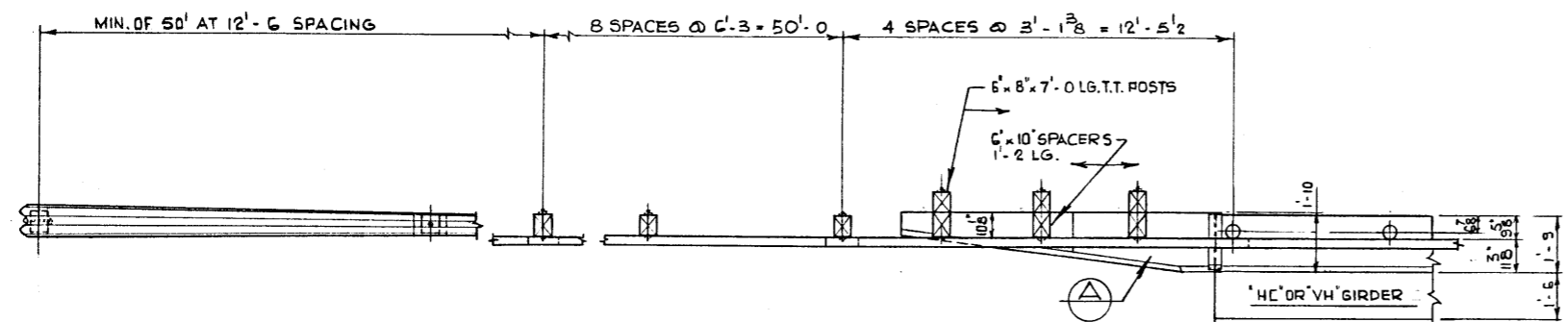


BAR LIST (FOR SQUARE CURB TRANSITION UNIT.)

MARK	SIZE	NO.	TYPE	X	Y	LENGTH	WEIGHT
K 501 TO K 505	5	5	A	VARIABLE FROM 1.6 TO 1.04, IN 1/16" INCR. ONE OF EA.	8"	4'-7" AVE.	24
K 506 TO K 510	5	5	A	VARIABLE FROM 1.04 TO 0.5, IN 1/16" INCR. ONE OF EA.	VARIABLE FROM 8" TO 4", IN 1" INCR.	3'-0" AVE.	17
K 511	5	4	STR.			9'-8"	40
K 512	5	2	STR.			6'-10"	14

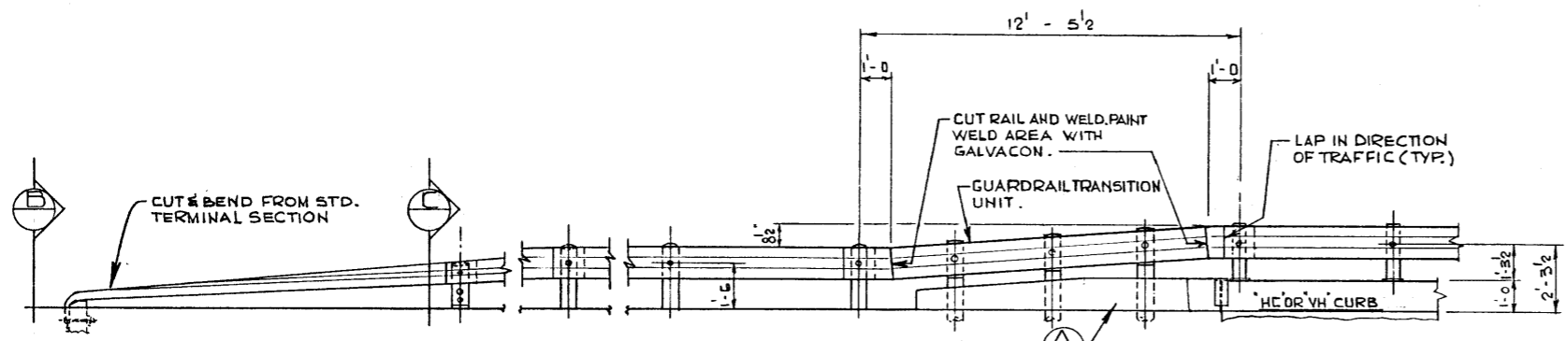
△ TOTAL LBS. : 95

BAR TYPES : N.T.S.
(ALL BAR DIMENSIONS ARE OUT TO OUT.)



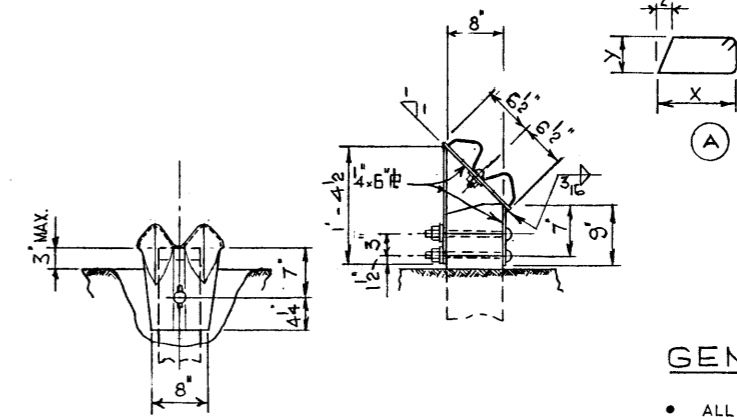
PLAN

3/8" = 1'-0"

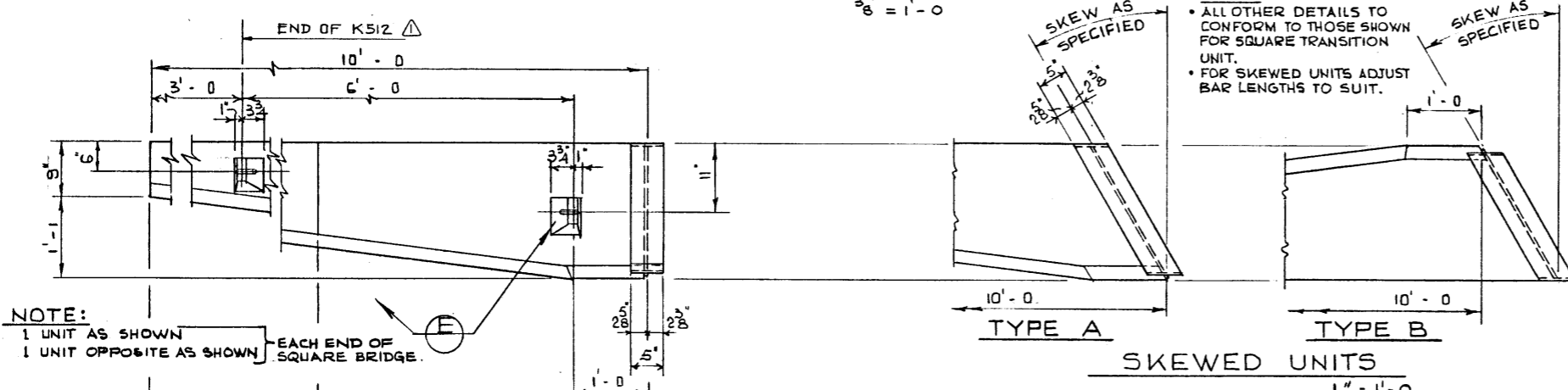


ELEVATION

3/8" = 1'-0"



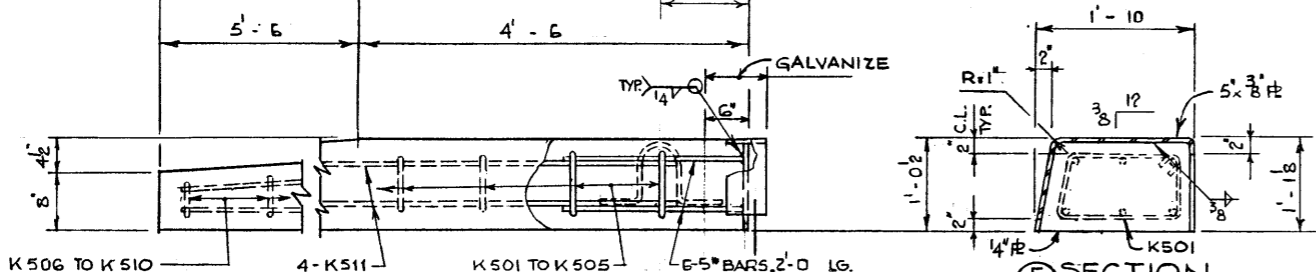
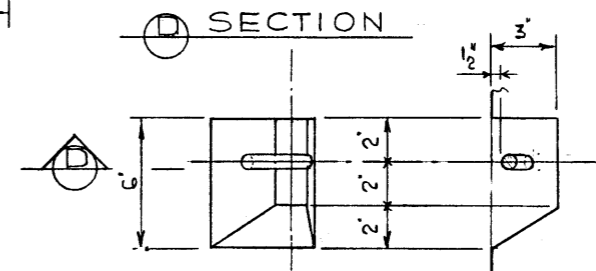
1" = 1'-0"



NOTE:
1 UNIT AS SHOWN
1 UNIT OPPOSITE AS SHOWN
EACH END OF SQUARE BRIDGE.

NOTES:
• ALL OTHER DETAILS TO CONFORM TO THOSE SHOWN FOR SQUARE TRANSITION UNIT.
• FOR SKEWED UNITS ADJUST BAR LENGTHS TO SUIT.

(D) SECTION



(A) CURB TRANSITION UNIT

1" = 1'-0"

SUPERSEDED
8/5-1099-76
Nov. 9/76

APPROVED		PROVINCE OF ALBERTA DEPARTMENT OF HIGHWAYS AND TRANSPORT BRIDGE BRANCH	
NOV. 22/73 K511 AND K512 BARS. J.R.C.		CURB & GUARDRAIL TRANSITION FOR HC & VH GIRDER BRIDGES	
NO. DATE DESCRIPTION BY		CHIEF BRIDGE ENGINEER	
REVISIONS		DATE	
DESIGNED	DRAWN BY	DATE	CHECKED BY
R.W. WORNELSE	P. SZOTIS	SEPT. 1973.	
STREAM	LOCATION	HWY. NO.	SCALE
			FILE NO.
SHEET	DWG. NO.		
5-1099	S-1099		