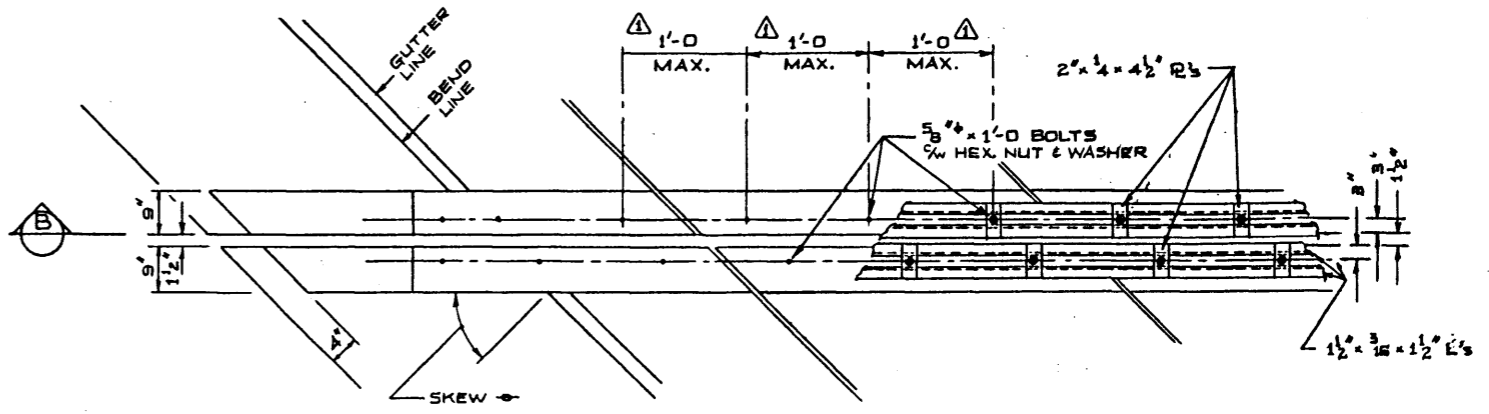
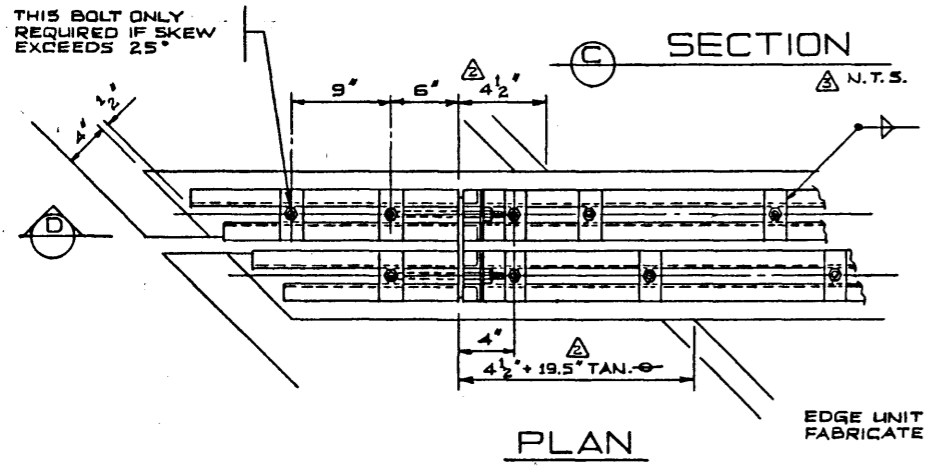
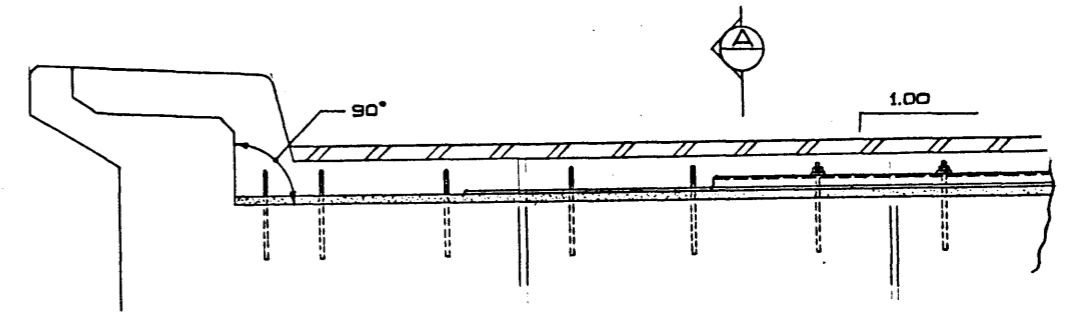
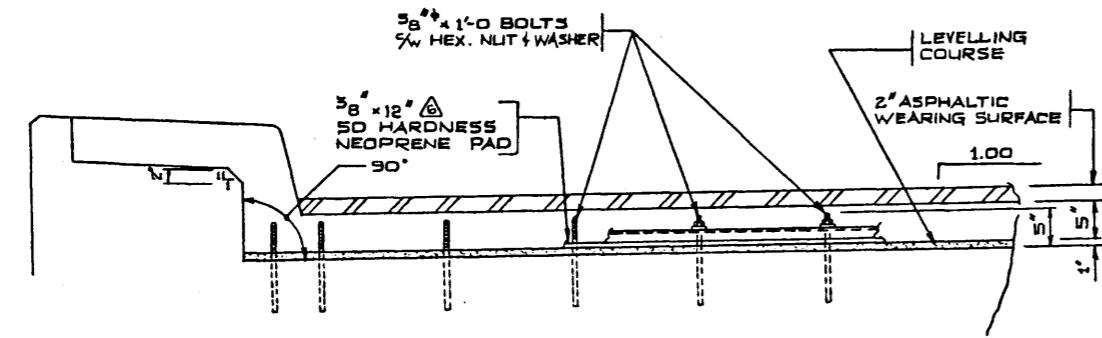


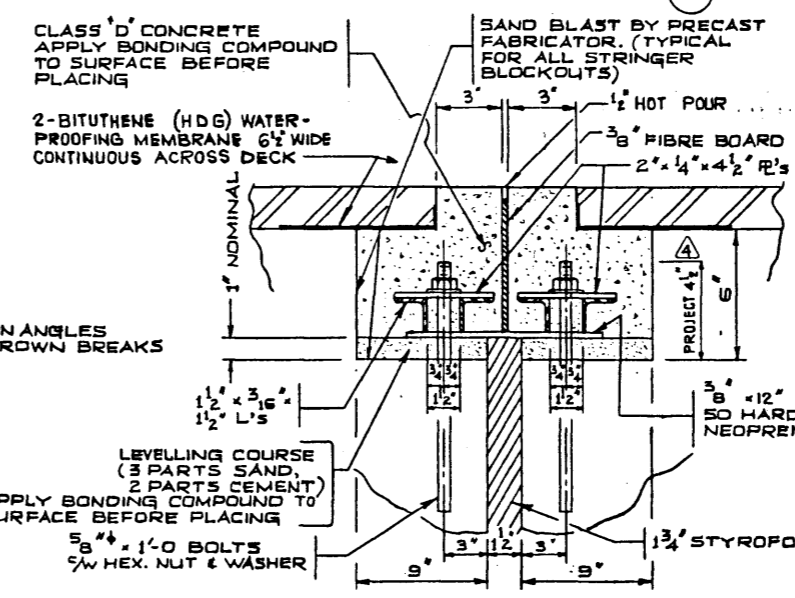
BLOCKOUT PLAN AT ABUTMENT
N.T.S.



BLOCKOUT PLAN AT PIER
N.T.S.

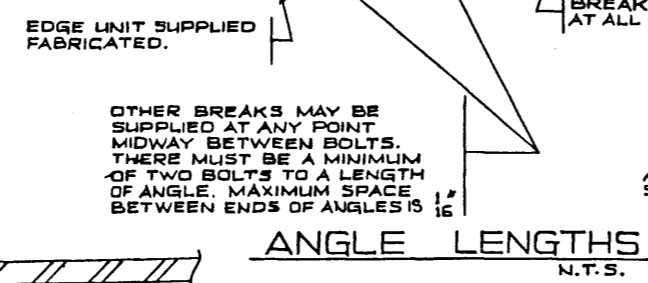


SECTION B
N.T.S.

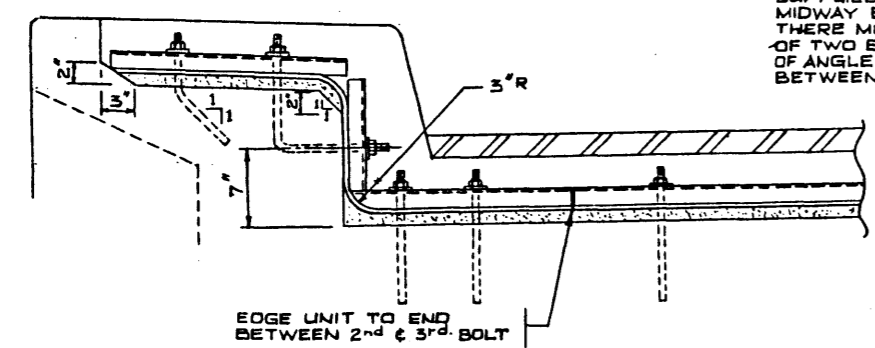


GENERAL NOTES

- ALL REQUIREMENTS OF BRIDGE BRANCH SPECIFICATION FOR THE SUPPLY OF STRUCTURAL STEEL FOR BRIDGES (SPEC. NO. 187-64) SHALL BE MET.
- ALL STEEL IS TO CONFORM TO THE REQUIREMENTS OF THE SPEC. A.S.T.M. - A36 OR C.S.A. G40.21-44W.



ANGLE LENGTHS
N.T.S.



SECTION D
EDGE DETAILS
N.T.S.

NOTE:
ALL STEEL ITEMS ARE SUPPLIED LOOSE. TO INSTALL, PLACE BOTH ANGLES ON ONE BOLT LINE IN POSITION AND HOLD WHILE PLACING PLATES AND SNUGGING UP NUTS. MAKE ANY ADJUSTMENTS REQUIRED TO GET ADEQUATE EDGE DISTANCE ON THE NEOPRENE AND A REASONABLE FIT AT BUTT JOINTS. WELD PLATES TO ANGLES. TORQUE BOLTS.

REVISIONS				APPROVED		PROVINCE OF ALBERTA DEPARTMENT OF HIGHWAYS AND TRANSPORT BRIDGE BRANCH				
NO.	DATE	DESCRIPTION	BY	DATE	NAME	NO.	SCALE	FILE NO.	SHEET	DWG. NO.
25-74		TYPE VM REMOVED FROM TITLE BLOCK	R.W.L.		CHIEF BRIDGE ENGINEER	1	N.T.S.		5	S-1100
24-74		PROJECTION ADDED	R.W.L.							
27-12-73		NOT TO SCALE	R.W.L.							
27-12-73		CURB BLOCKOUT	R.W.L.							
27-12-73		BOLT SPACING	R.W.L.							
13-6-74		NEOPRENE PAD SIZE CHANGED	R.V.L.							