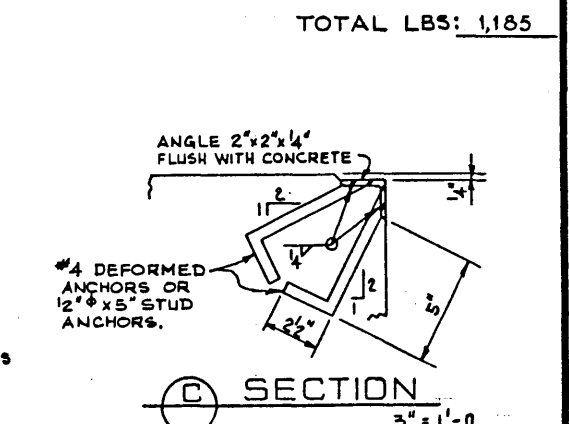


MARK	SIZE	NO.	TYPE	X	Y	LENGTH	WEIGHT
S 301	3	104	A			4'-11	192
S 302	3	55	B			7'-11	164
S 401	4	106	C	2'-6	8'-2	3'-11	273
S 402	4	14	STR.			33'-4	312
S 403	4	6	C	4'	5'-0	10'-4	41
S 501	5	4	STR.			33'-6	140
E 501	5	4	E			7'-7	32
E 401	4	4	F			3'-4	9
E 402	4	2	C	2'-8	6'	3'-8	5
S 404	4	13	D			2'-0	17

TOTAL LBS: 1,185



- ### GENERAL NOTES
- DESIGN:
- A.A.S.H.O. 1973 SPECIFICATION.
 - LOADING: 0.60 OF ONE WHEEL LINE OF AN HS 25.44 TRUCK PLUS FULL DEAD LOAD PLUS 2" WEARING SURFACE.
 - ESTIMATED WEIGHT OF ONE GIRDER = 44,6K.
- MATERIALS:
- CONCRETE SHALL BE OF STANDARD WEIGHT AGGREGATE WITH A MAXIMUM AGGREGATE SIZE OF 3/4". MINIMUM COMPRESSIVE STRENGTH SHALL BE 5,000 P.S.I. AT 28 DAYS. ENTRAINED AIR SHALL BE NOT LESS THAN 3%.
 - PRESTRESSING STEEL SHALL BE 1/2" DIAMETER-7 WIRE 270 K STRAND.
- FABRICATION:
- GIRDERS SHALL CONFORM TO THE REQUIREMENTS OF THE ALBERTA BRIDGE BRANCH SPECIFICATION B 190-64 FOR THE MANUFACTURE OF PRESTRESSED CONCRETE BRIDGE UNITS.
 - REINFORCEMENT: DIAMETERS OF ALL BENDS SHALL CONFORM TO THE RECOMMENDED MINIMUMS AND ALL HOOKS, UNLESS OTHERWISE NOTED, SHALL CONFORM TO THE RECOMMENDED SIZES DETAILED IN THE A.C.I. MANUAL OF STANDARD PRACTICE FOR DETAILING REINFORCED CONCRETE STRUCTURES.
 - PRESTRESSING STEEL: INITIAL TENSIONING LOAD = 28.91 K/STRAND = 22.40 K/STRAND DESIGN LOAD.
 - CONCRETE MUST ATTAIN 5,000 P.S.I. COMPRESSIVE STRENGTH BEFORE THE PRESTRESSING FORCE IS TRANSFERRED.
 - THE SURFACE OF GROUT KEYS AND END BLOCKOUTS SHALL BE SANDBLASTED.
 - ANCHOR BOLT ASSEMBLIES SHALL BE CAST IN GIRDER AT SPACINGS AS REQUIRED.
 - ALTERNATE HOLD DOWN DEVICES FOR PLACEMENT OF VOIDS WILL BE CONSIDERED.
- ERECTION:
- LIFTING FORCE AT EACH HOOK MUST BE NOT MORE THAN 35° FROM THE VERTICAL LINE AT ALL TIMES. GIRDER SURFACE MUST BE LEVEL AT ALL TIMES.

NOTE: 24 - 1/2" x 7 WIRE STRAND, REQUIRED PER GIRDER.

GIRDER FINISHES

APPROVED _____

PROVINCE OF ALBERTA
DEPARTMENT OF HIGHWAYS AND TRANSPORT
BRIDGE BRANCH

66'-0" TYPE 'VM'
32' INTERIOR GIRDER
HS 25 LOADING

NO.	DATE	DESCRIPTION	BY

DESIGNED	DRAWN BY	DATE	CHECKED BY	DATE	STREAM	LOCATION	HWY. NO.	SCALE	FILE NO.	SHEET	DWG. NO.
C.W.P.	V.G.B.	SEPT/73						SHOWN			S-1109