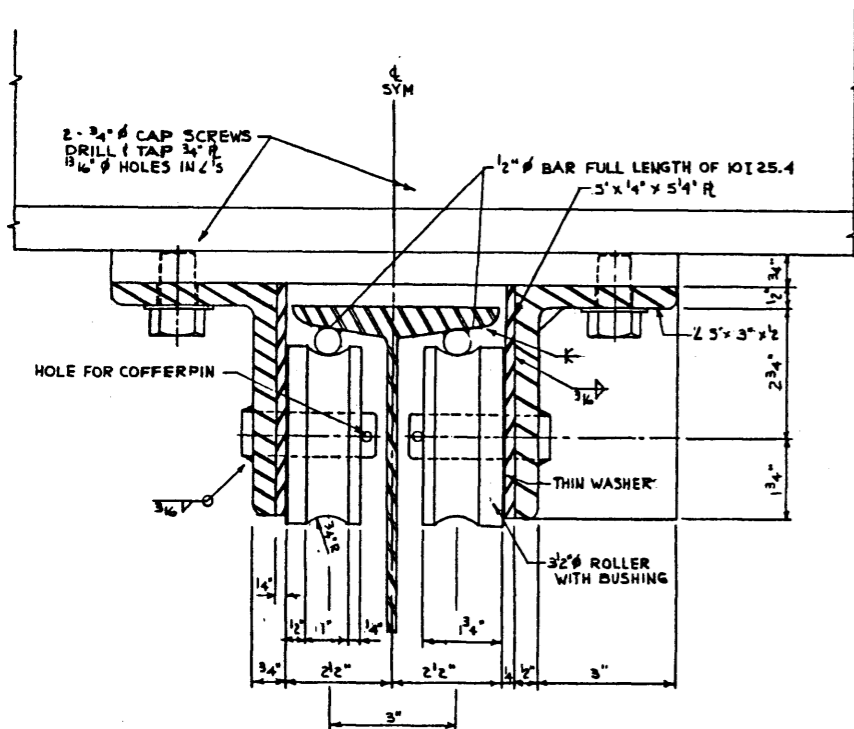
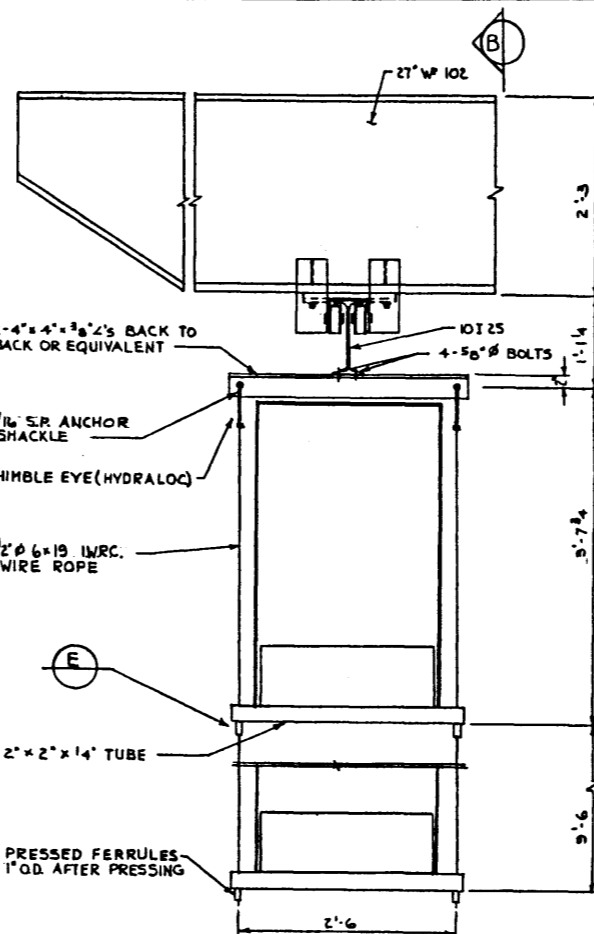


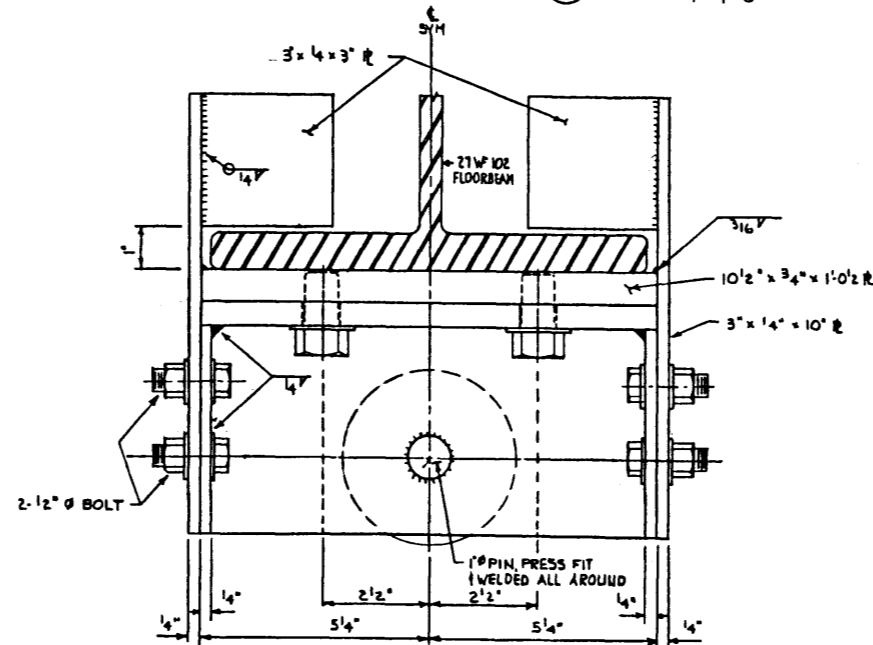
SCAFFOLD DETAILS
1" = 1'-0"



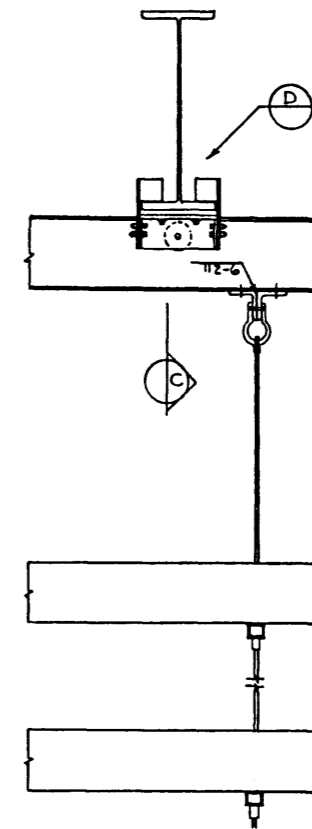
SECTION C
NTS.



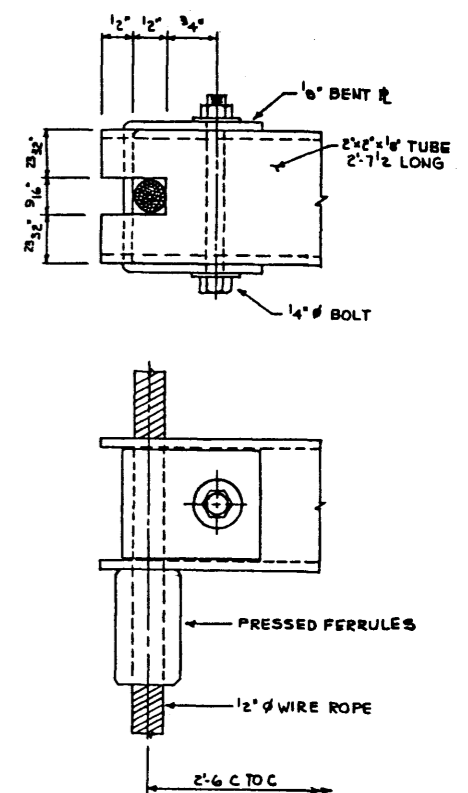
SECTION A
1" = 1'-0"



DETAIL D
1/2" = 1'



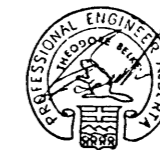
SECTION B
1" = 1'-0"



DETAIL E
3/4" = 1'

GENERAL NOTES

- DESIGN LOADS DL & LL = 700 LB/ SCAFFOLD
1500 LB/ LINE
- ALL REQUIREMENTS OF THE BRIDGE BRANCH SPEC. FOR THE SUPPLY OF STRUCTURAL STEEL FOR BRIDGES SPEC. NO. 187-64 SHALL BE MET.
- ALL STEEL IS TO CONFORM TO THE REQUIREMENTS OF ASTM-A36 OR CSA G40.12.
- ALL BOLTS TO BE ASTM A325 HIGH STRENGTH BOLTS OR EQUIVALENT



OCCUPATIONAL HEALTH & SAFETY DIVISION
APPROVAL No. E-77-27

APPROVED				Alberta HIGHWAYS AND TRANSPORT BRIDGE BRANCH	
CHIEF BRIDGE ENGINEER				DECK TRUSS SCAFFOLDING DETAILS	
REVISIONS				DATE	
NO.	DATE	DESCRIPTION	BY		
DESIGNED	DRAWN BY	DATE	CHECKED BY	DATE	STREAM
T. BELKE	S. HENDERSON	MAY 9/74	Antoine	MAY 21/74	
LOCATION	HWY. NO.	SCALE	FILE NO.	SHEET	DWG. NO.
		SHOWN		OF	5118